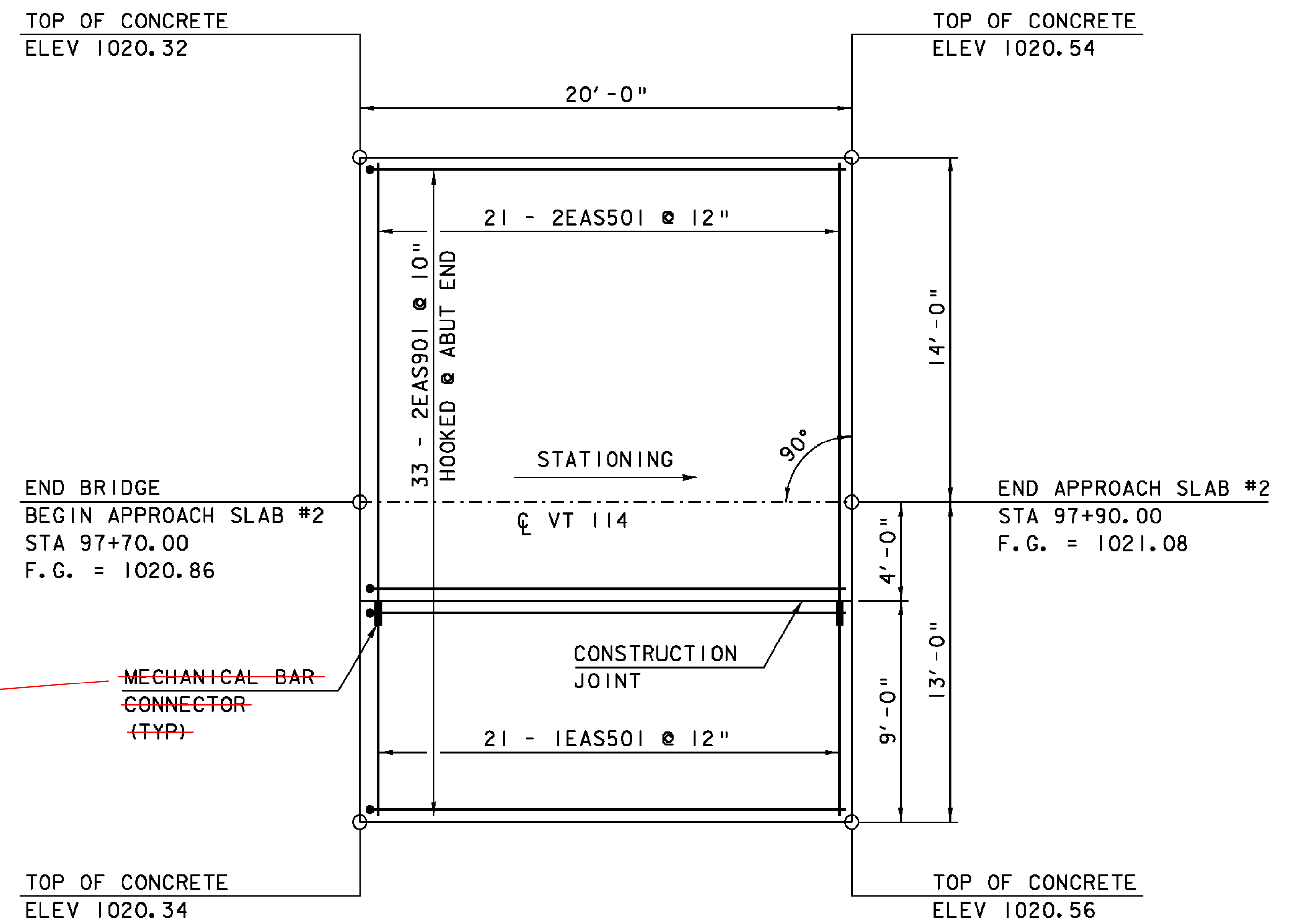


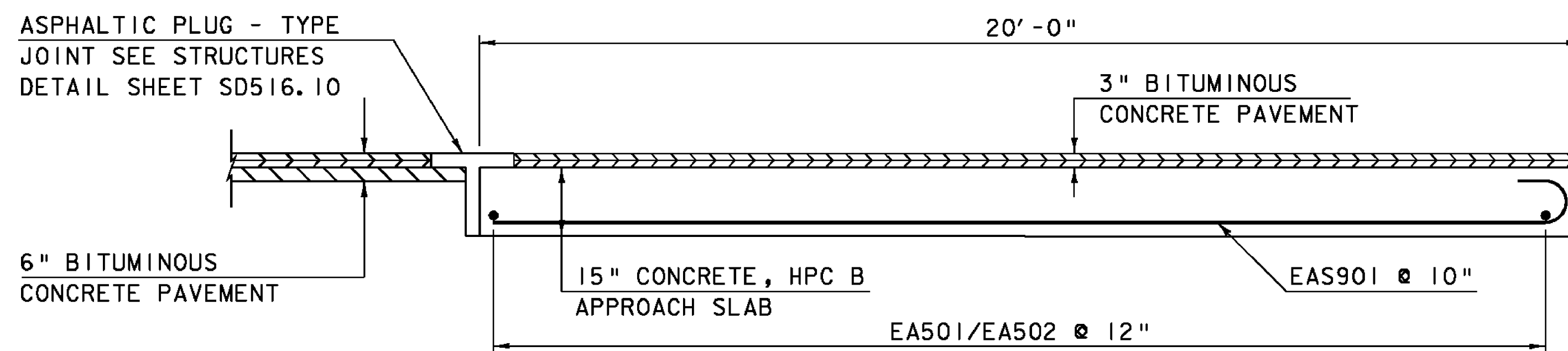
APPROACH SLAB #1 PLAN
SCALE 1/4" = 1'-0"



APPROACH SLAB #2 PLAN
SCALE 1/4" = 1'-0"

FLOW
EAST BRANCH PASSUMPSIC

NOT USED



APPROACH SLAB ELEVATION (TYP)
SCALE 1/2" = 1'-0"

NOTE:
E = EPOXY COATED REINFORCING
NF = NEAR FACE
FF = FAR FACE
EF = EACH FACE
▲ = CUT TO FIT IN FIELD
3" CLEAR, UNLESS OTHERWISE SPECIFIED ON THE PLANS.
3'-0" BAR LAP UNLESS OTHERWISE SPECIFIED ON THE PLANS.

PROJECT NAME: EAST HAVEN	PLOT DATE: 08-AUG-2011
PROJECT NUMBER: BRF 0269(II)	DRAWN BY: R. PELLETT
FILE NAME: s00cl62app.dgn	DESIGNED BY: R. PELLETT
DESIGNED BY: R. PELLETT	CHECKED BY: J. GRIFFIN
APPROACH SLABS	SHEET 23 OF 40