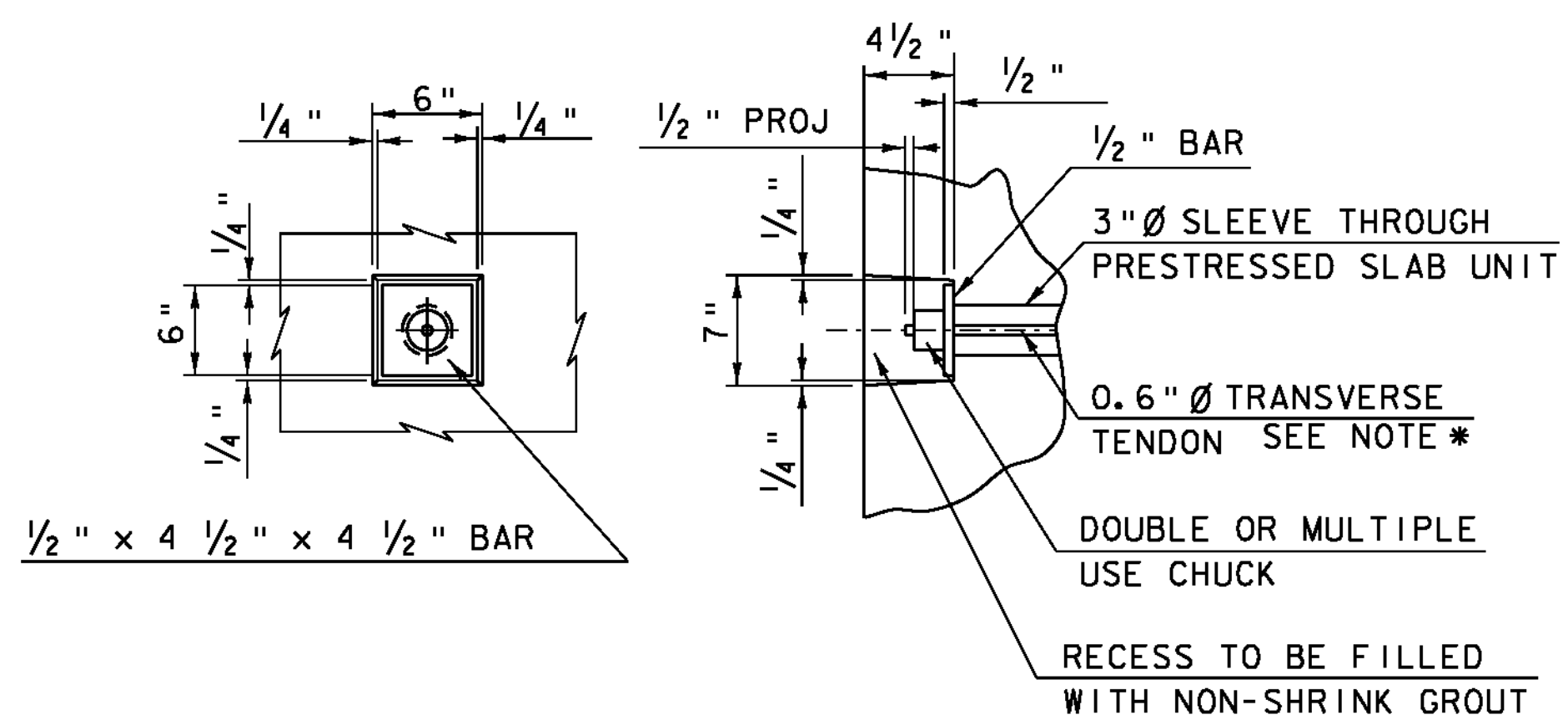


**END DIAPHRAGM REINFORCING
(INTERIOR & EXTERIOR)**

SCALE 1/2" = 1'-0"

**INTERMEDIATE DIAPHRAGM
REINFORCING
(INTERIOR & EXTERIOR)**

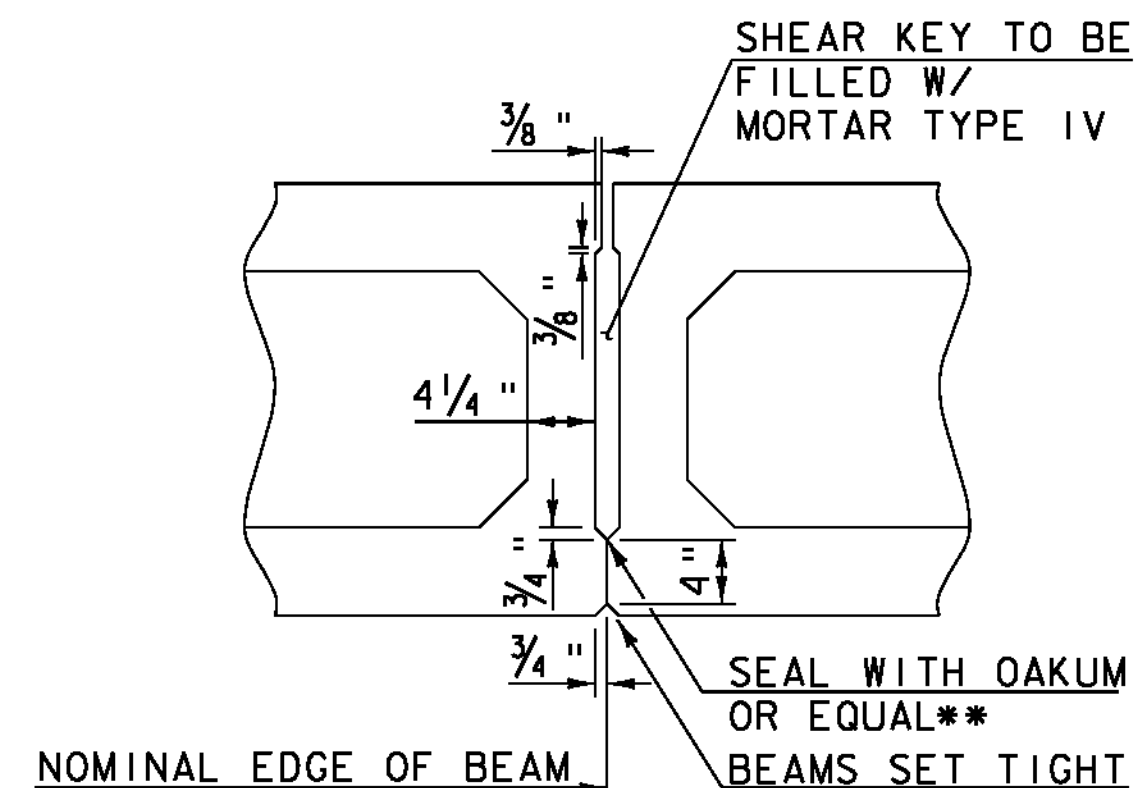
SCALE 1/2" = 1'-0"



0.6" Ø TRANSVERSE TENDON DETAIL

(NOT TO SCALE)

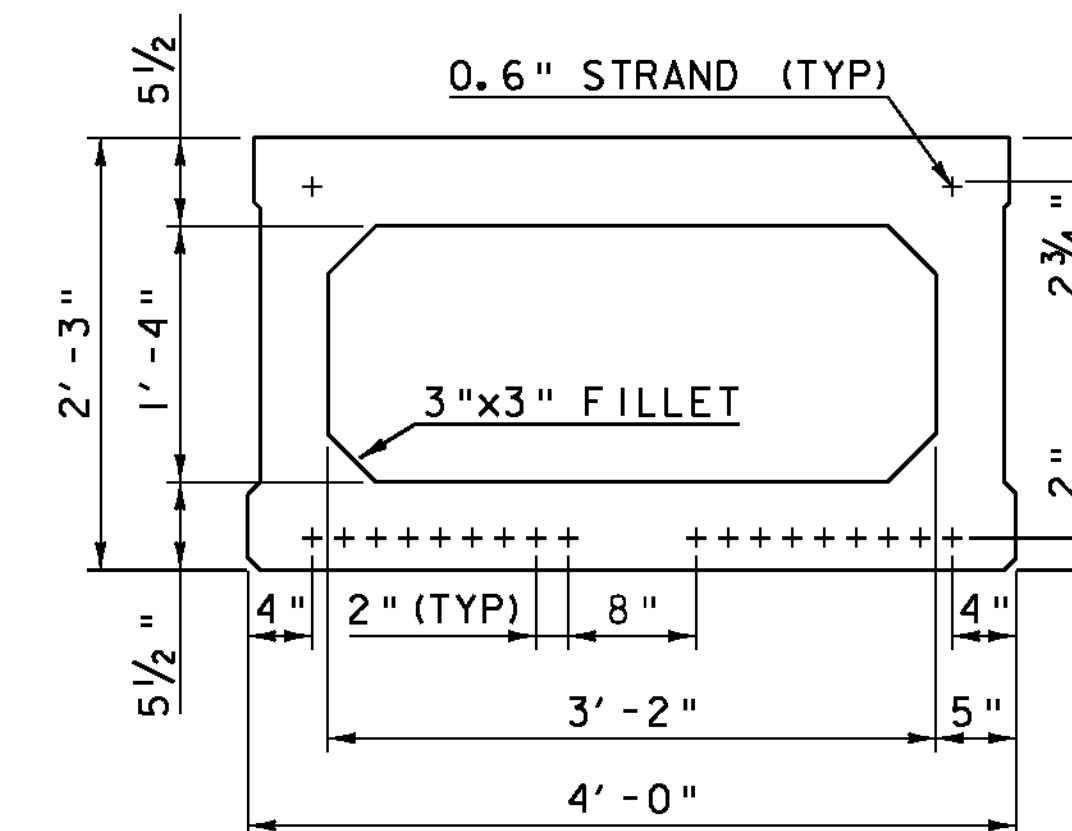
*TRANSVERSE TIES SHALL BE COVERED BY SEAMLESS POLYPROPYLENE SHEATH (WITH CORROSION INHIBITOR GREASE BETWEEN SHEATH AND STRAND) FOR THE LENGTH OF STRAND, EXCEPT AT ANCHORAGE LOCATIONS, EACH STRAND SHALL BE TENSIONED TO 47 KIPS



**SHEAR KEY DETAIL
FOR BOX BEAM**

** NOTES:

1. INSTALL OAKUM AFTER UNITS HAVE BEEN PLACED.
2. PAYMENT INCIDENTAL TO ITEM 510.21 PRESTRESSED CONCRETE BOX BEAMS

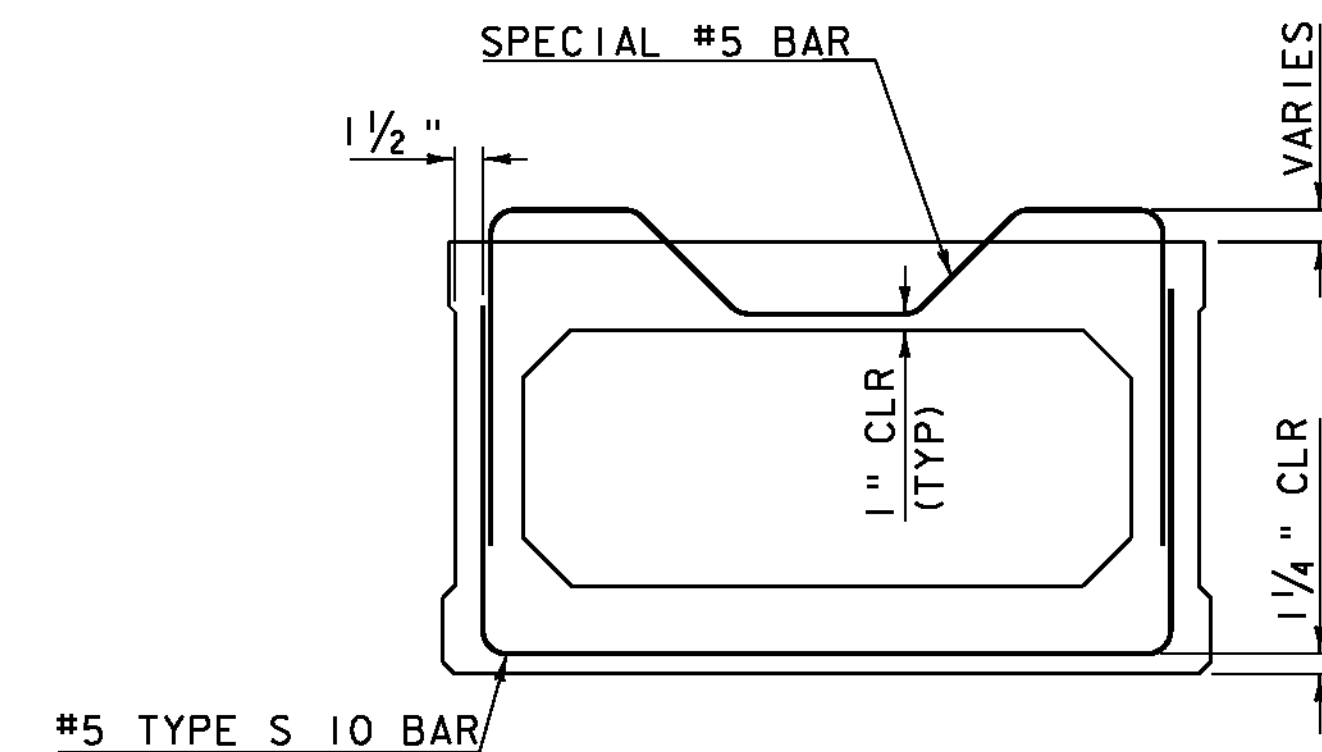


STRAND PATTERN (TYP)

SCALE 1/2" = 1'-0"

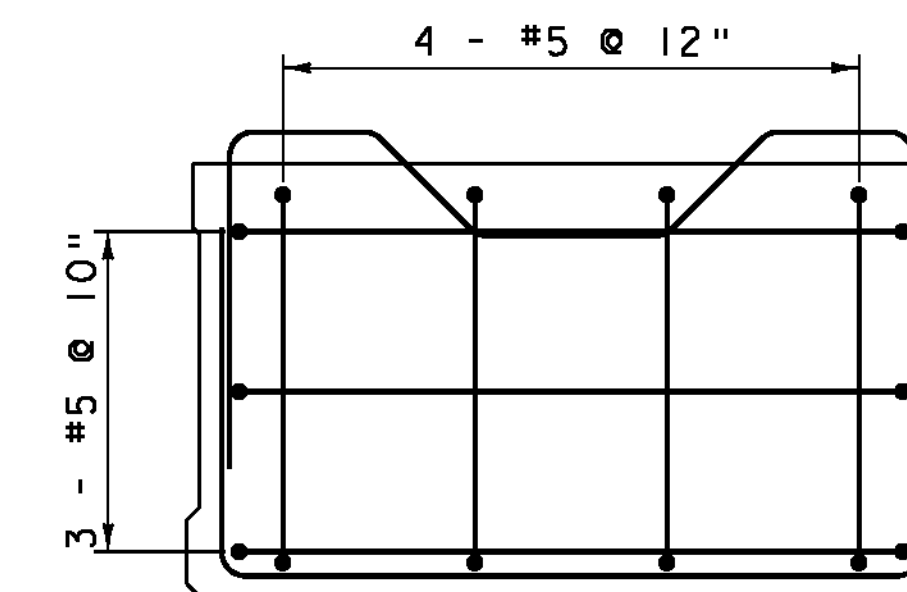
NOTES:

1. EXTEND EVERY OTHER BONDED PRESTRESSED STRANDS ON THE BOTTOM ROW 2'-8". IN LIEU OF EXTENDING THE STRANDS, THE CONTRACTOR MAY PROPOSE AN ALTERNATE DETAIL.
2. REINFORCING STEEL NOT SHOWN FOR CLARITY.



SHEAR REINFORCEMENT

SCALE 1/2" = 1'-0"
STRANDS NOT SHOWN FOR CLARITY



**BOX BEAM
REINFORCING LAYOUT
@ BEG/END BRIDGE**

SCALE 1/2" = 1'-0"

NOTES:

1. ONE MAT EACH SIDE OF TRANSVERSE DUCTS
2. STRANDS NOT SHOWN FOR CLARITY

PROJECT NAME: EAST HAVEN
PROJECT NUMBER: BRF 0269(II)

FILE NAME: s00cl62sup.dgn
PROJECT LEADER: K. HIGGINS
DESIGNED BY: J. GRIFFIN
SUPERSTRUCTURE REINFORCING 2

PLOT DATE: 17-AUG-2011
DRAWN BY: J. GRIFFIN
CHECKED BY: J. LACROIX
SHEET 22 OF 40