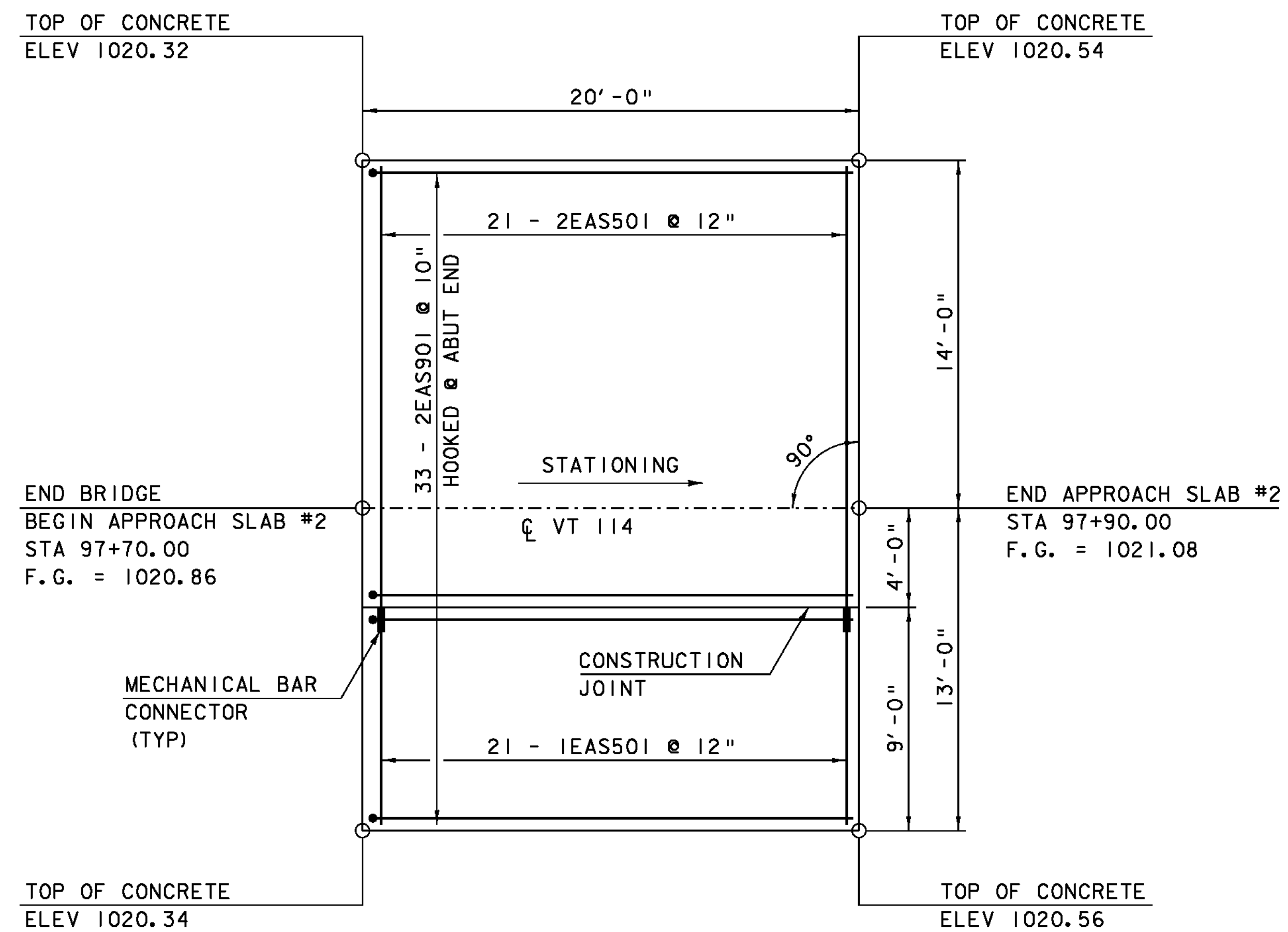
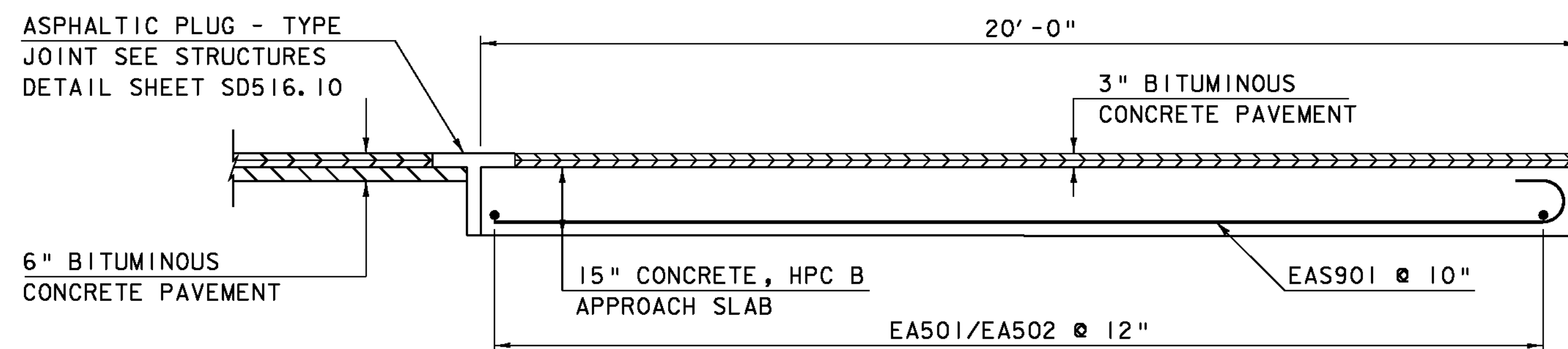


APPROACH SLAB #1 PLAN
 SCALE 1/4" = 1'-0"



APPROACH SLAB #2 PLAN
 SCALE 1/4" = 1'-0"



APPROACH SLAB ELEVATION (TYP)
 SCALE 1/2" = 1'-0"

FLOW
 EAST BRANCH PASSUMPSIC

NOTE:
 E = EPOXY COATED REINFORCING
 NF = NEAR FACE
 FF = FAR FACE
 EF = EACH FACE
 ▲ = CUT TO FIT IN FIELD
 3" CLEAR, UNLESS OTHERWISE SPECIFIED ON THE PLANS.
 3'-0" BAR LAP UNLESS OTHERWISE SPECIFIED ON THE PLANS.

PROJECT NAME:	EAST HAVEN
PROJECT NUMBER:	BRF 0269(II)
FILE NAME:	s00cl62app.dgn
PROJECT LEADER:	K. HIGGINS
DESIGNED BY:	R. PELLETT
APPROACH SLABS	
PLOT DATE:	08-AUG-2011
DRAWN BY:	R. PELLETT
CHECKED BY:	J. GRIFFIN
SHEET	23 OF 40