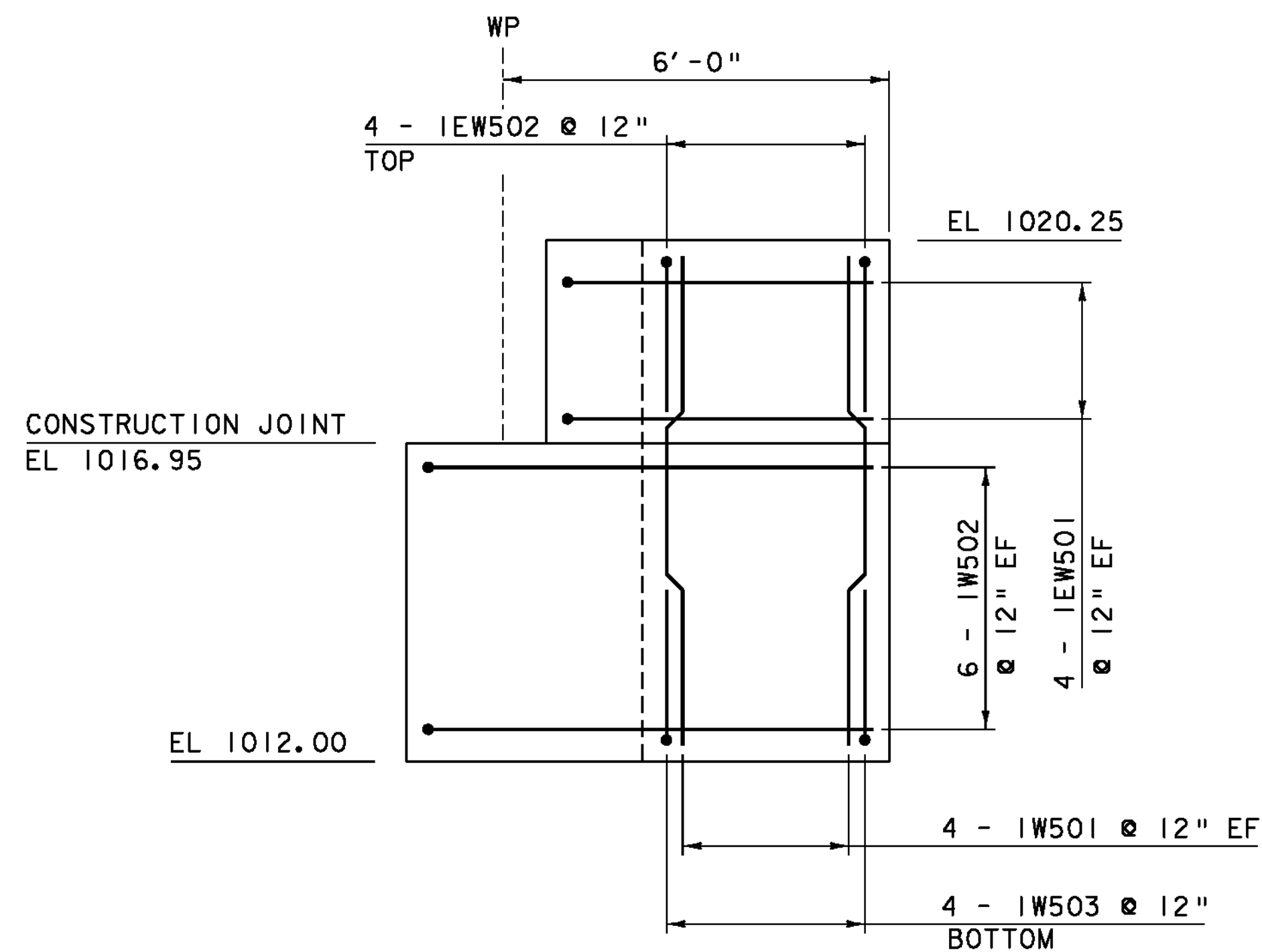


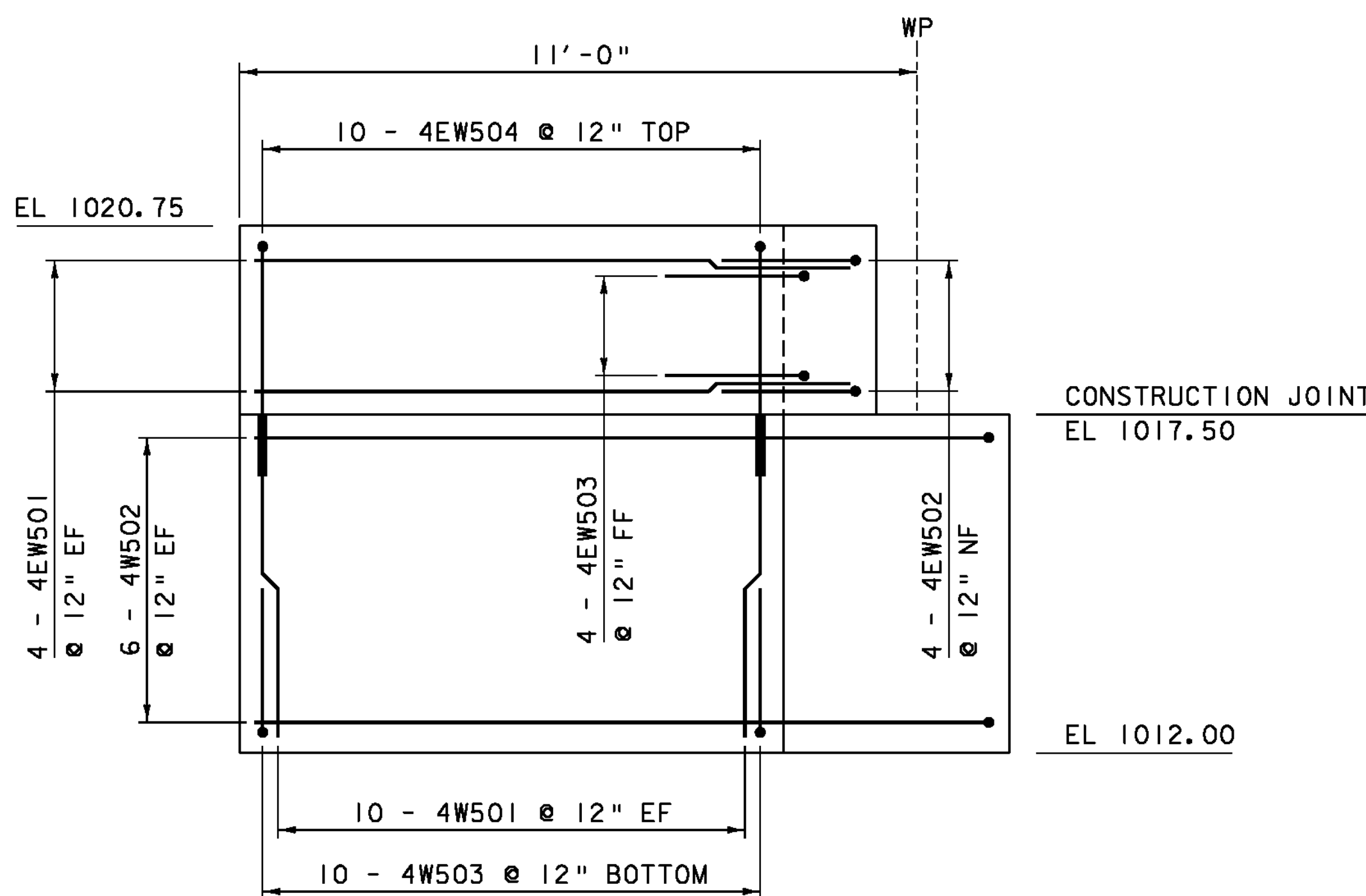
WINGWALL #2 ELEVATION VIEW

SCALE 1/2" = 1'-0"



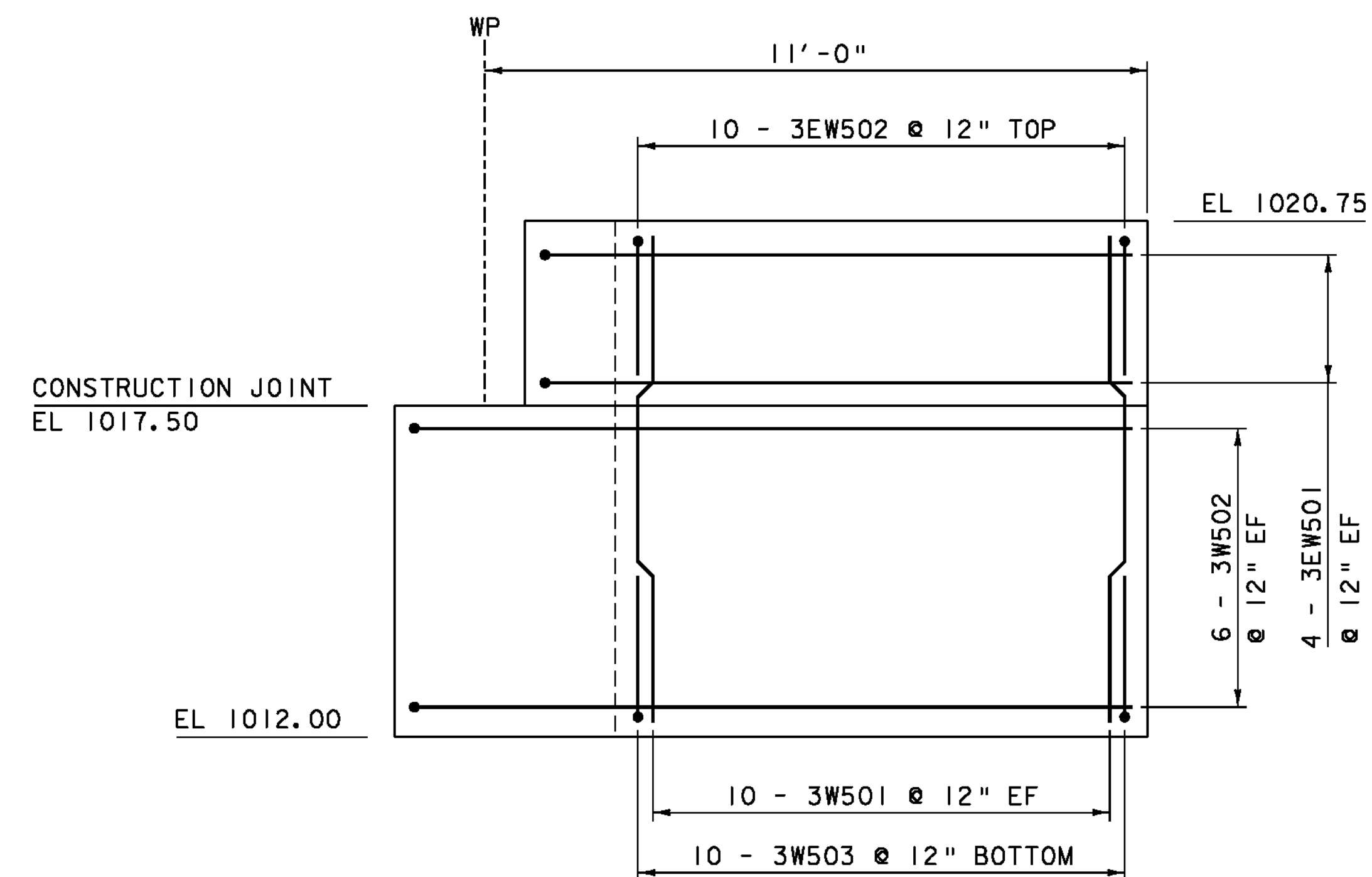
WINGWALL #1 ELEVATION VIEW

SCALE 1/2" = 1'-0"



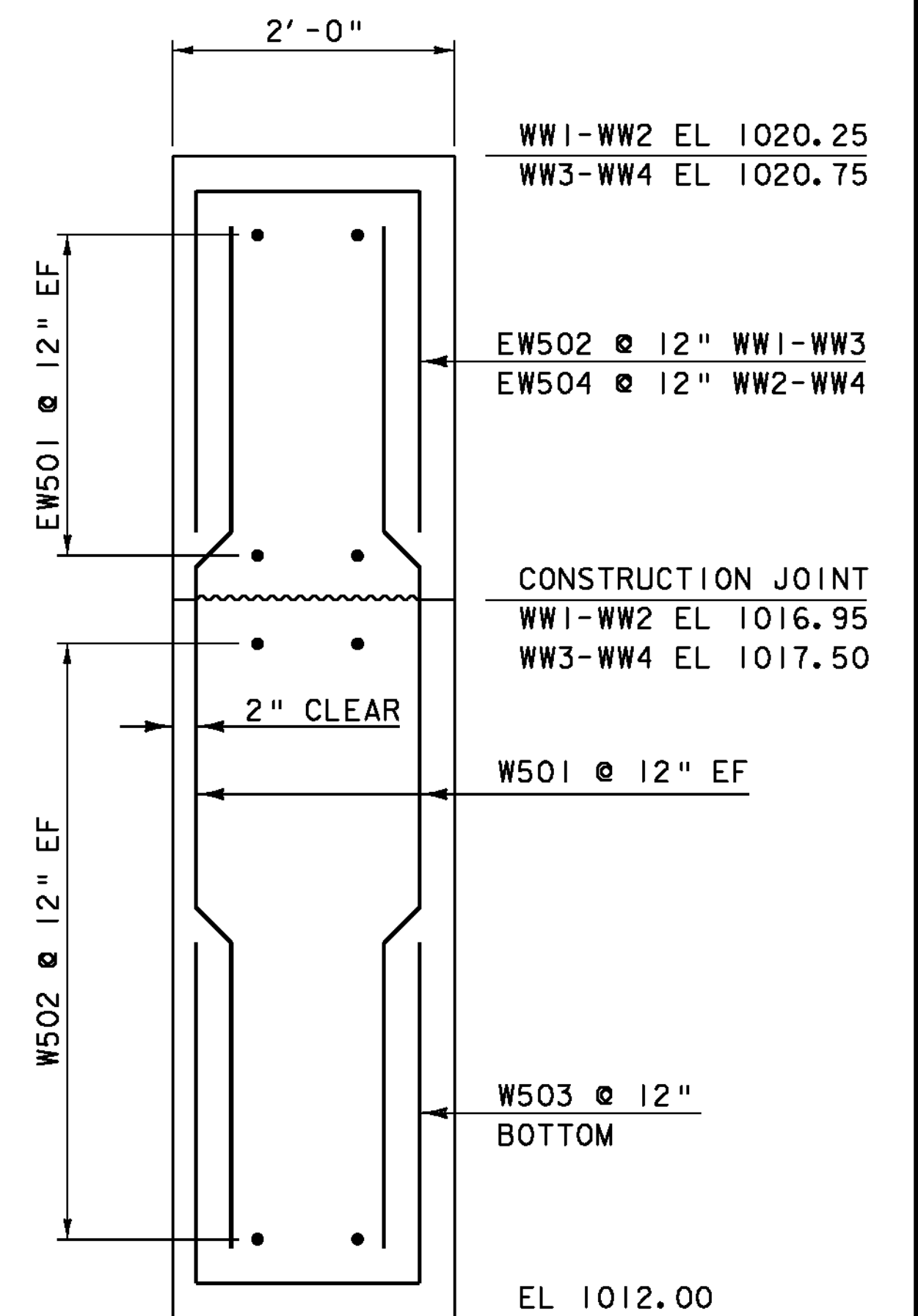
WINGWALL #4 ELEVATION VIEW

SCALE 1/2" = 1'-0"



WINGWALL #3 ELEVATION VIEW

SCALE 1/2" = 1'-0"



WINGWALL TYPICAL

SCALE 1" = 1'-0"

NOTE:

- NF = NEAR FACE
- FF = FAR FACE
- EF = EACH FACE
- ▲ = CUT TO FIT IN FIELD
- 3" CLEAR, UNLESS OTHERWISE SPECIFIED ON THE PLANS.
- 2'-2" BAR LAP UNLESS OTHERWISE SPECIFIED ON THE PLANS.

PROJECT NAME: EAST HAVEN
 PROJECT NUMBER: BRF 0269(II)

FILE NAME: s00cl62sub.dgn
 PROJECT LEADER: K. HIGGINS
 DESIGNED BY: J. GRIFFIN
 WINGWALL DETAILS

PLOT DATE: 08-AUG-2011
 DRAWN BY: J. SALVATORI
 CHECKED BY: J. LACROIX
 SHEET 26 OF 40