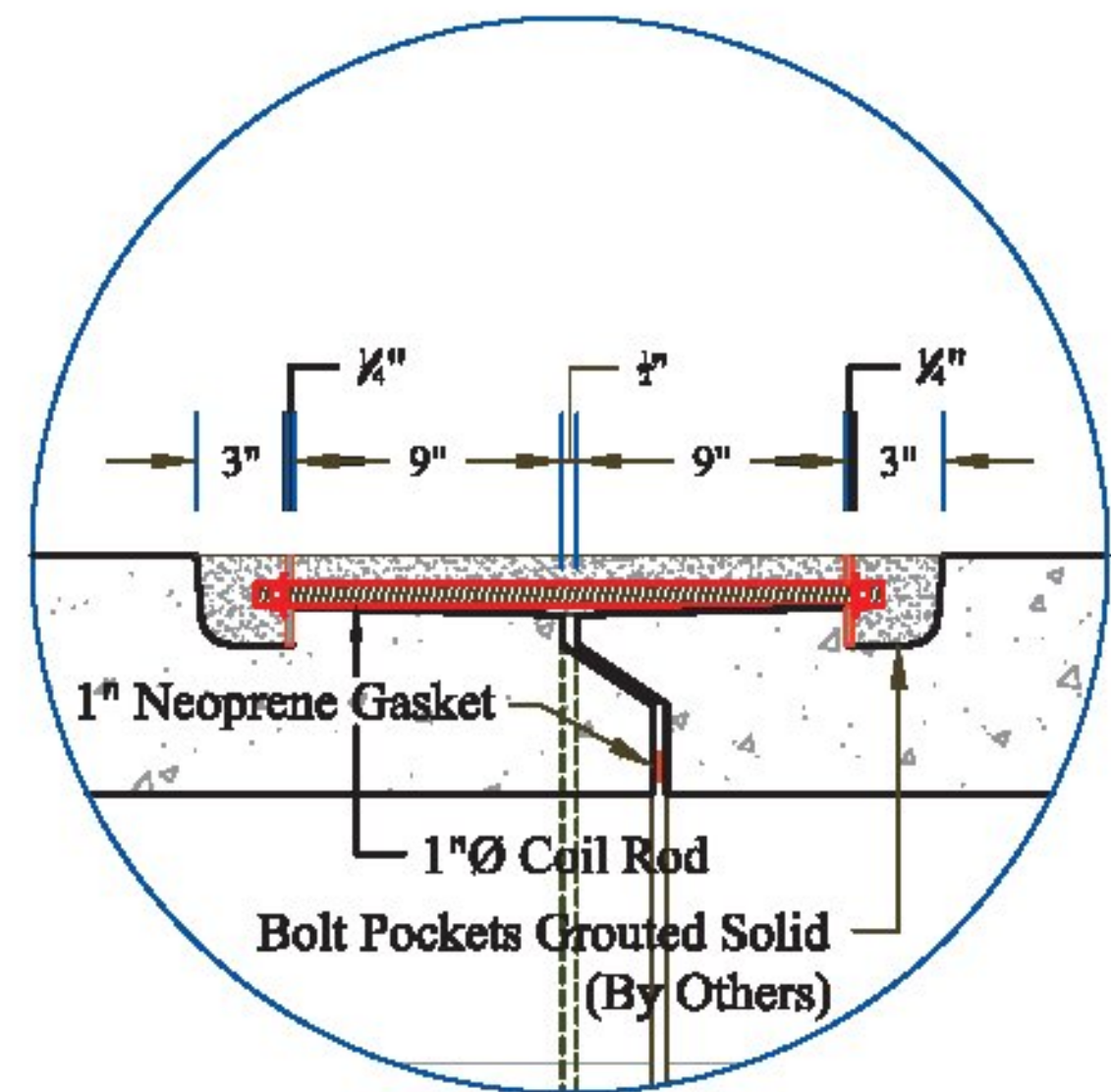
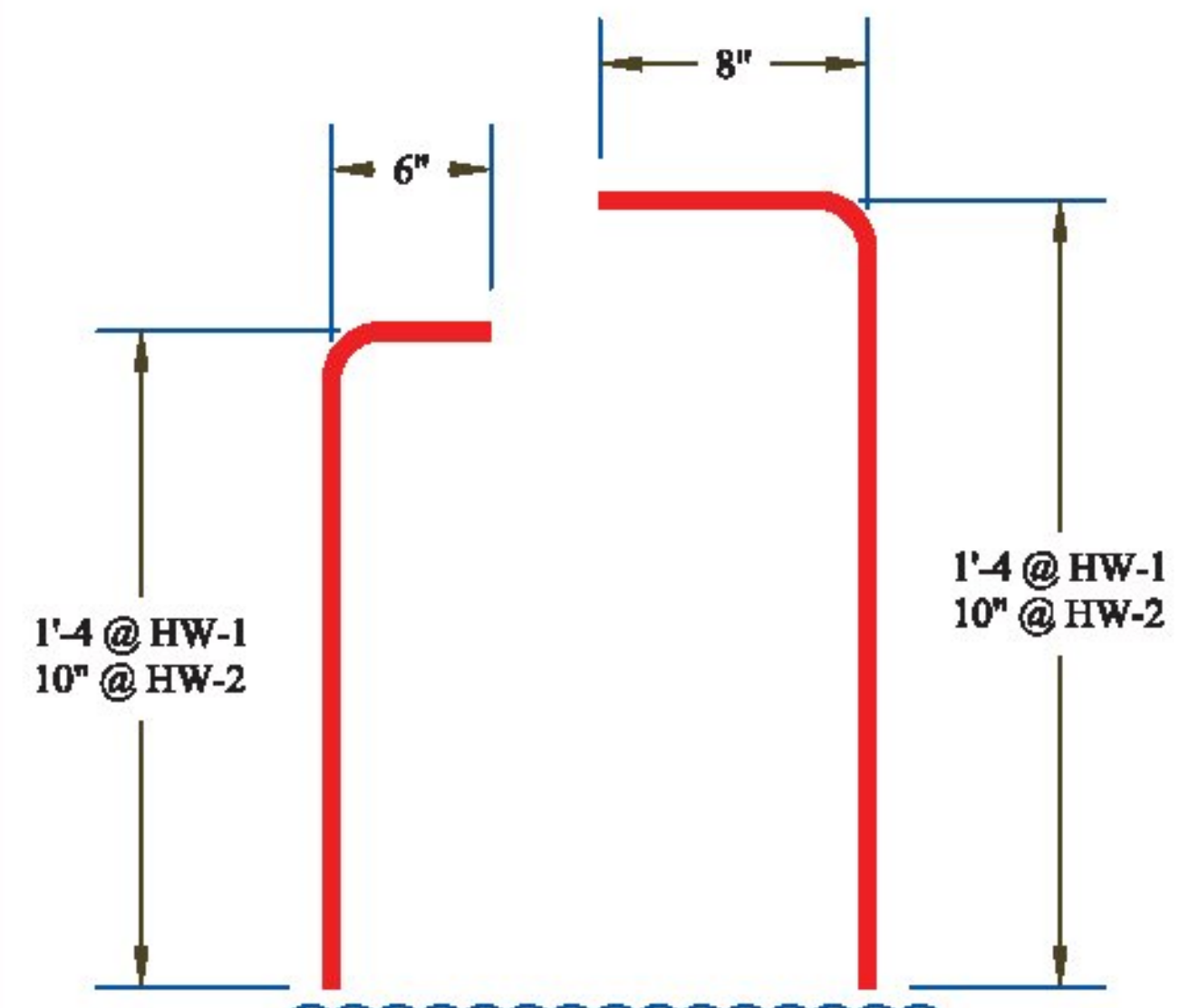


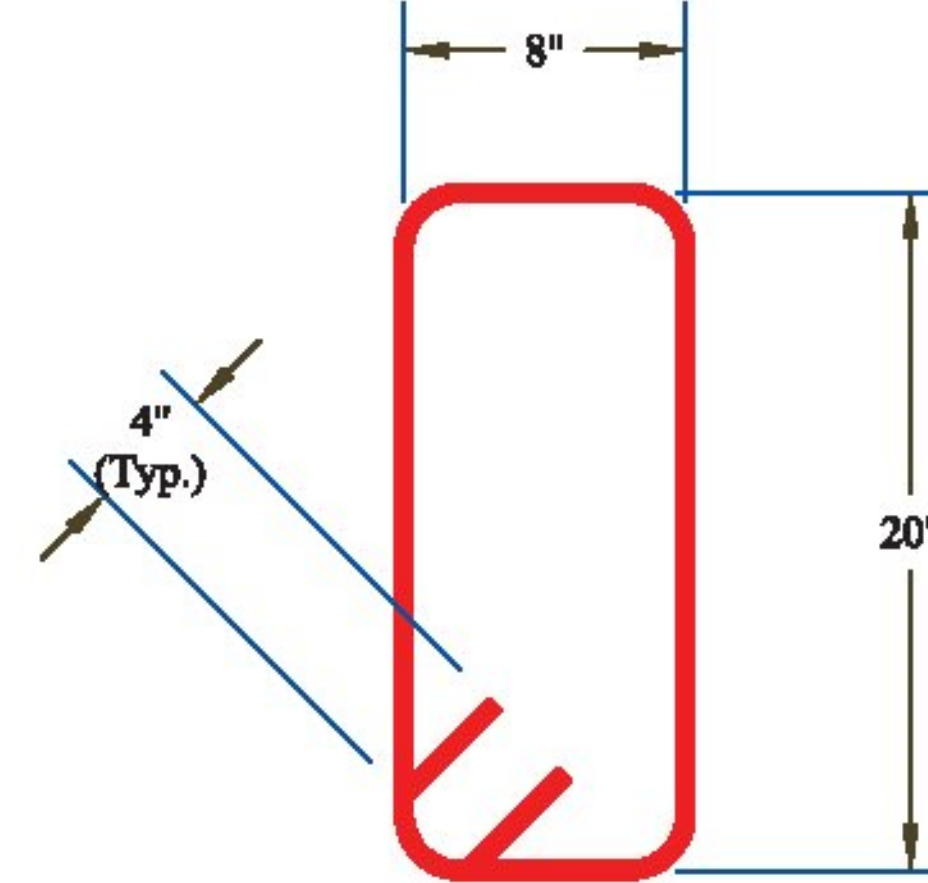
**Box Culvert Key Detail**



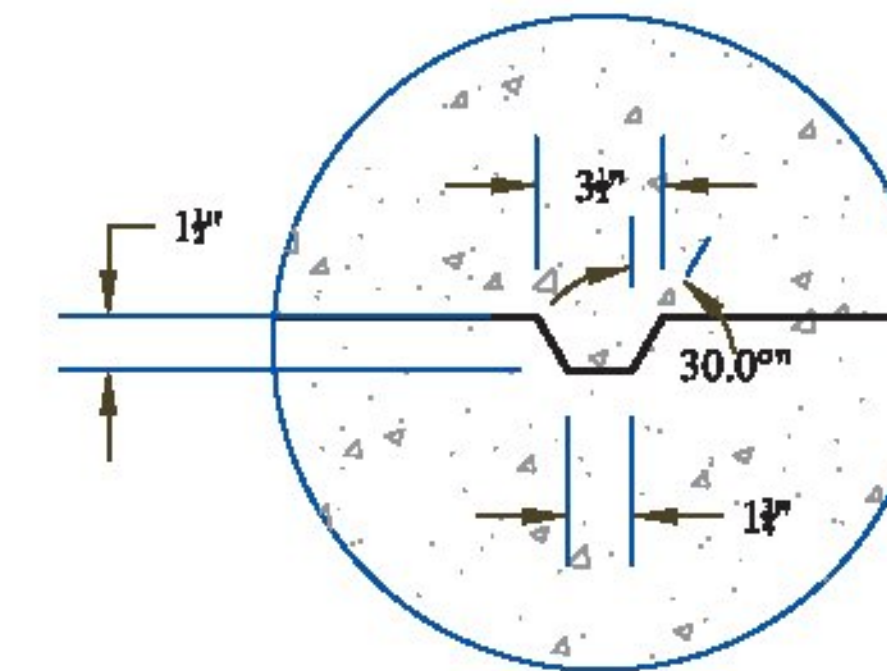
**Bolt Pocket Connection Detail**



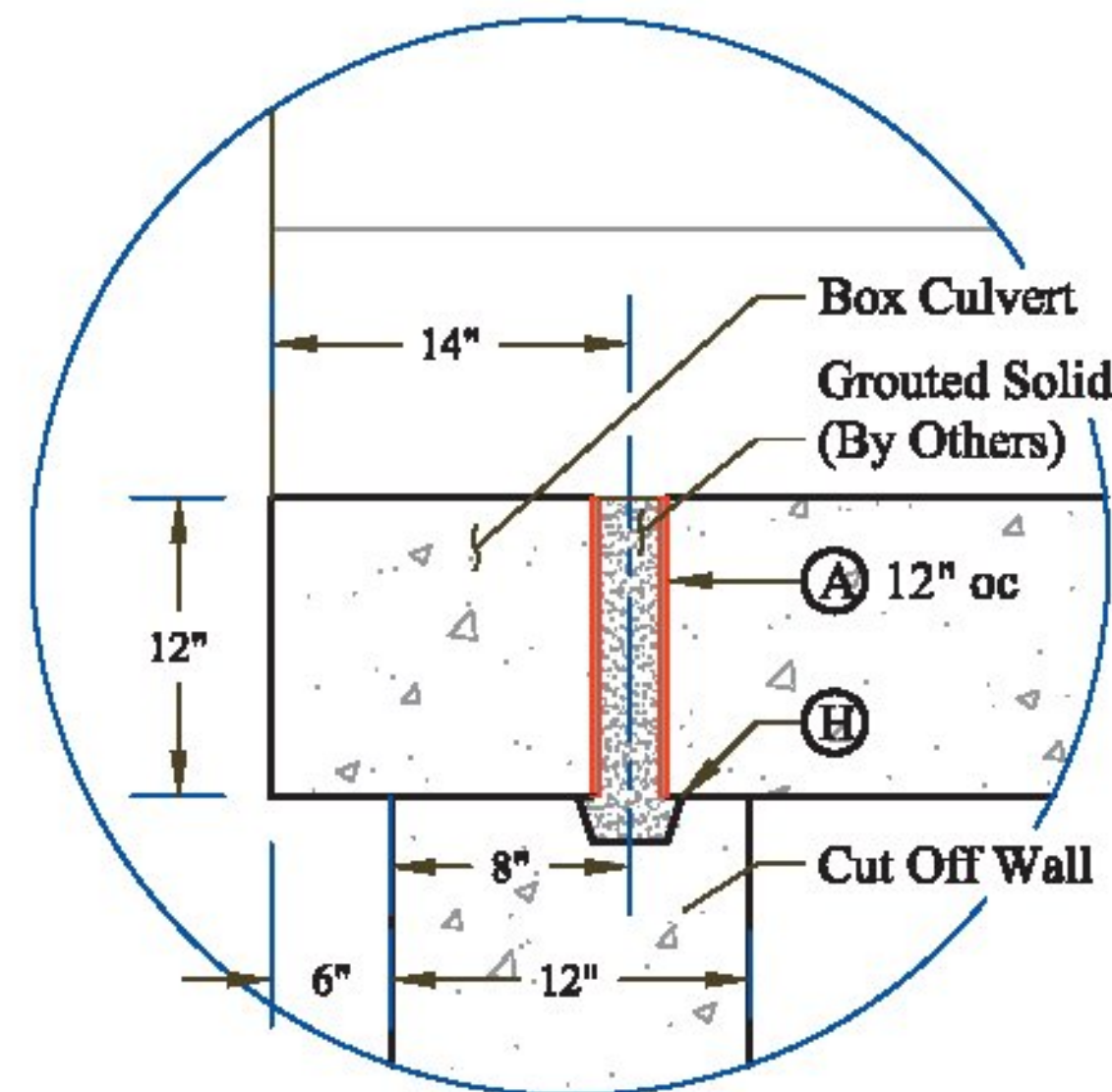
**Headwall Rebar Detail**



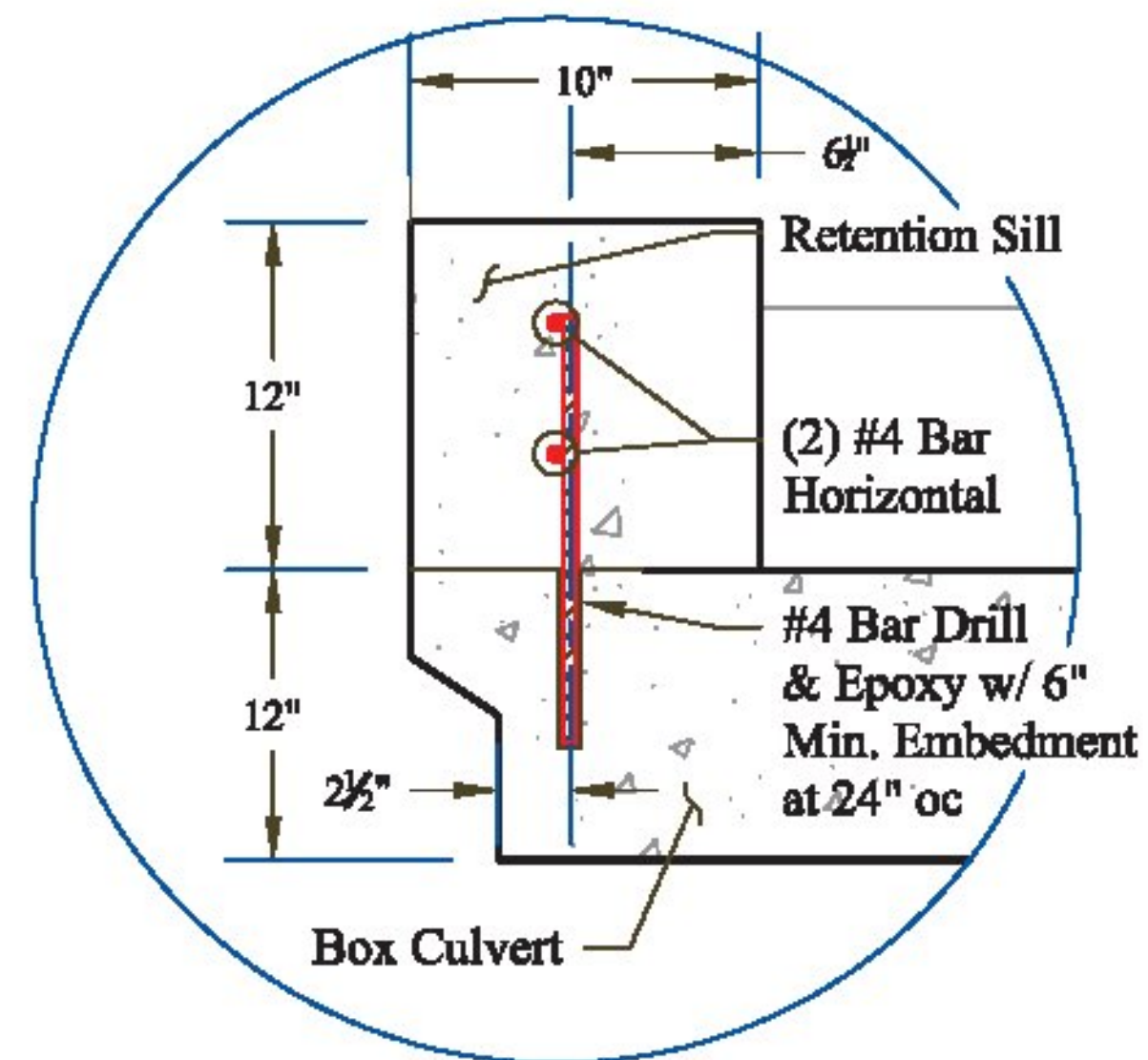
**Cutoff Wall Stirrup Detail**



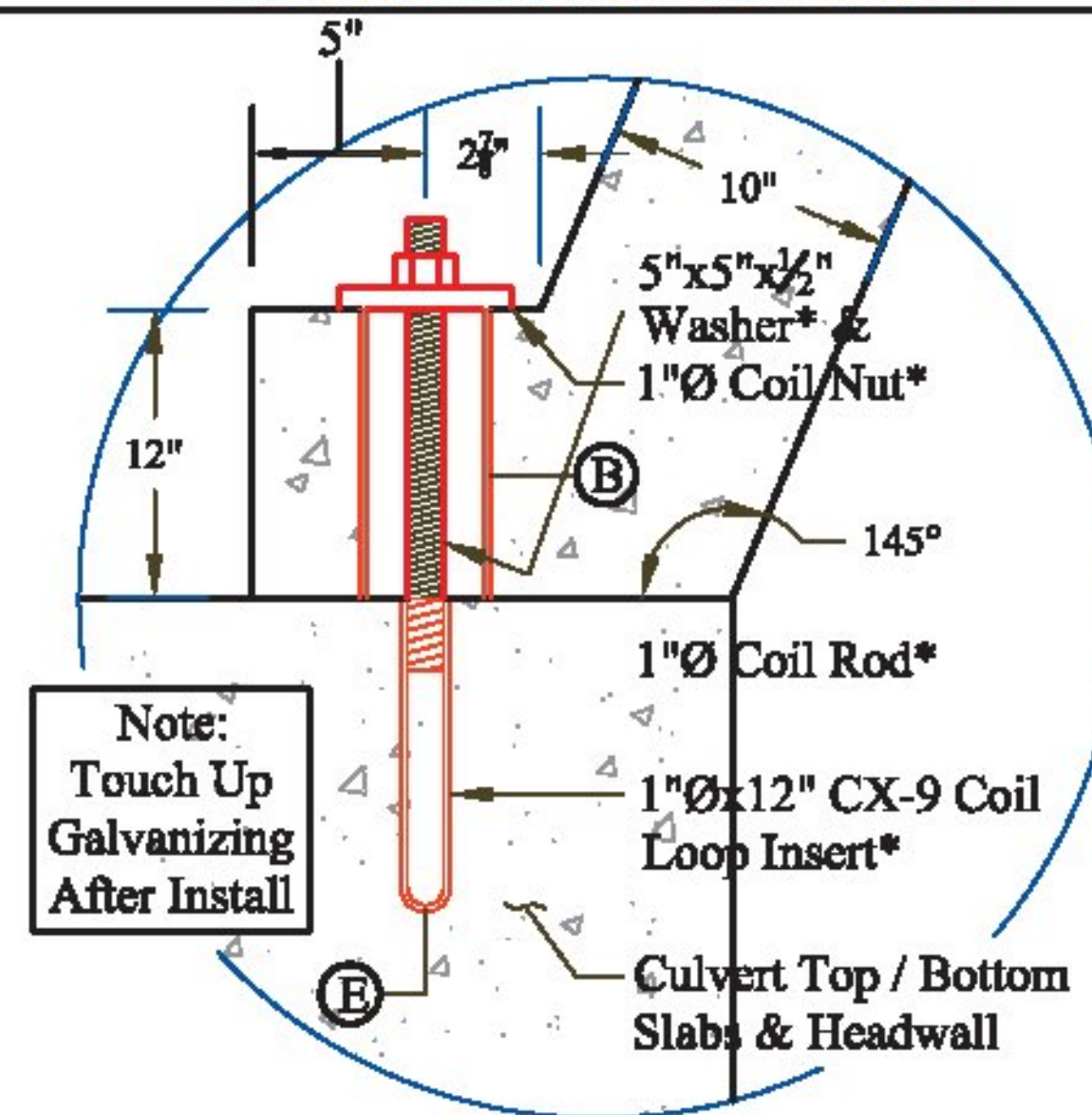
**Keyway Detail**



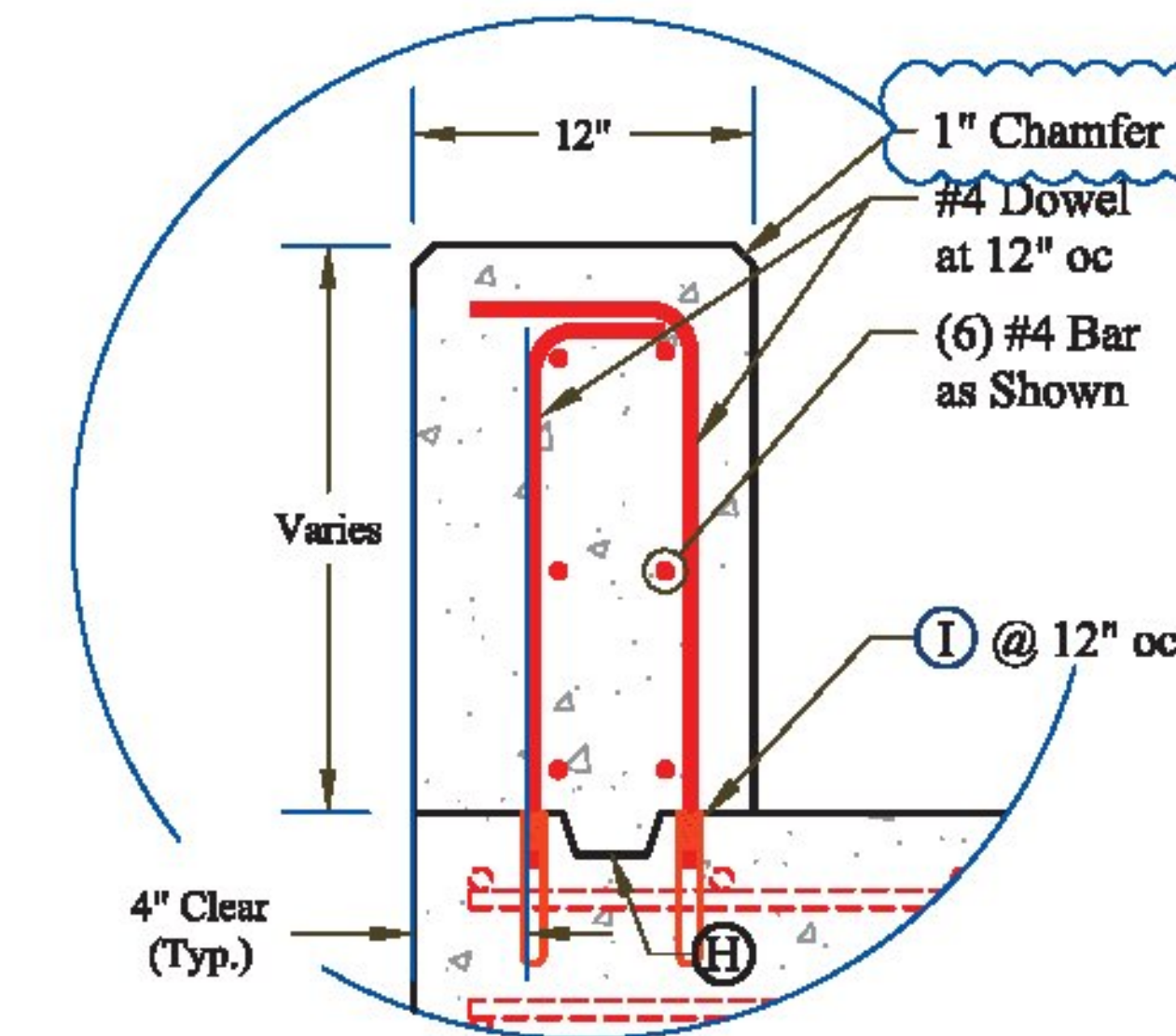
**Culvert to Cut Off Wall Connection**



**Retention Sill Reinforcing Detail**



**Wing Wall to Box Culvert Connection**



**Head Wall - 1 to Box Culvert Connection**



CONTRACTORS VISIT:	A 2" Ø PVC Sleeve	D Oxford A750-7 Lifting Device	G 1 1/2" x 3 1/2" Continuous Keyway
	B 4" Ø PVC Sleeve	E 1" Ø x 12" CX-9 Coil Loop Insert	H Solid Lines Indicate 3/4" Chamfer
	C Mechanical Bolt Pocket (A.L. Patterson w/ 1" Ø Coil Rod)	F Patterson Bolt Pocket Former	I 1" FI 64 Ferrule Insert

PRECAST CONCRETE BOX CULVERT SHOP DRAWINGS (SDI JOB #14213)  
 SUPERVISOR: M. WHEELER  
 DETAILER: I. ADAMS  
 CHECKER: T. DUDLEY  
 ENGINEER:

M&M Excavating  
 PO Box 585  
 Chester, VT 05143  
 Ph: (802) 875-3319

FABRICATOR:  
 193 INDUSTRIAL AVE.  
 WILLISTON, VT 05495  
 Ph: (802) 658-0201

