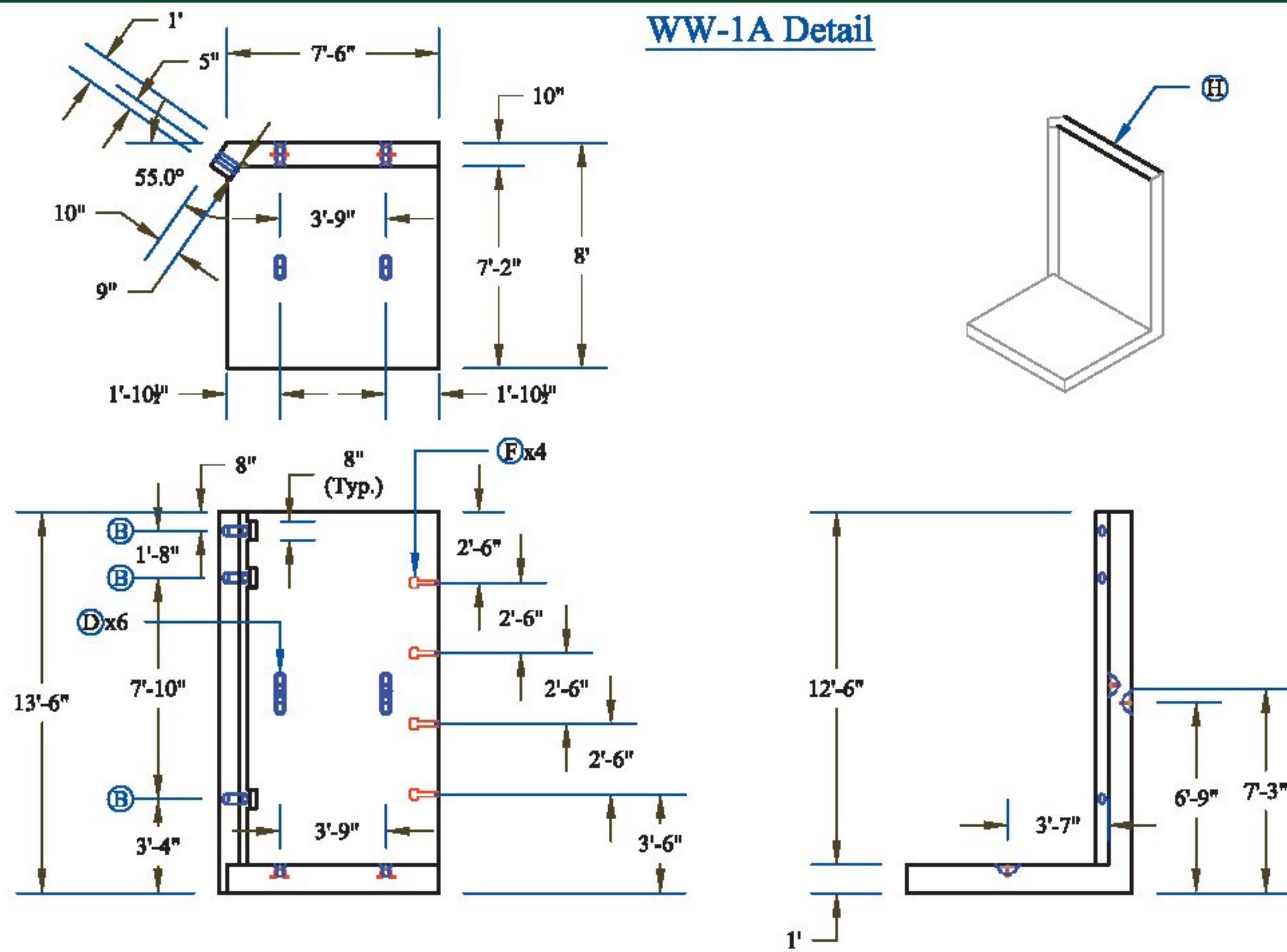
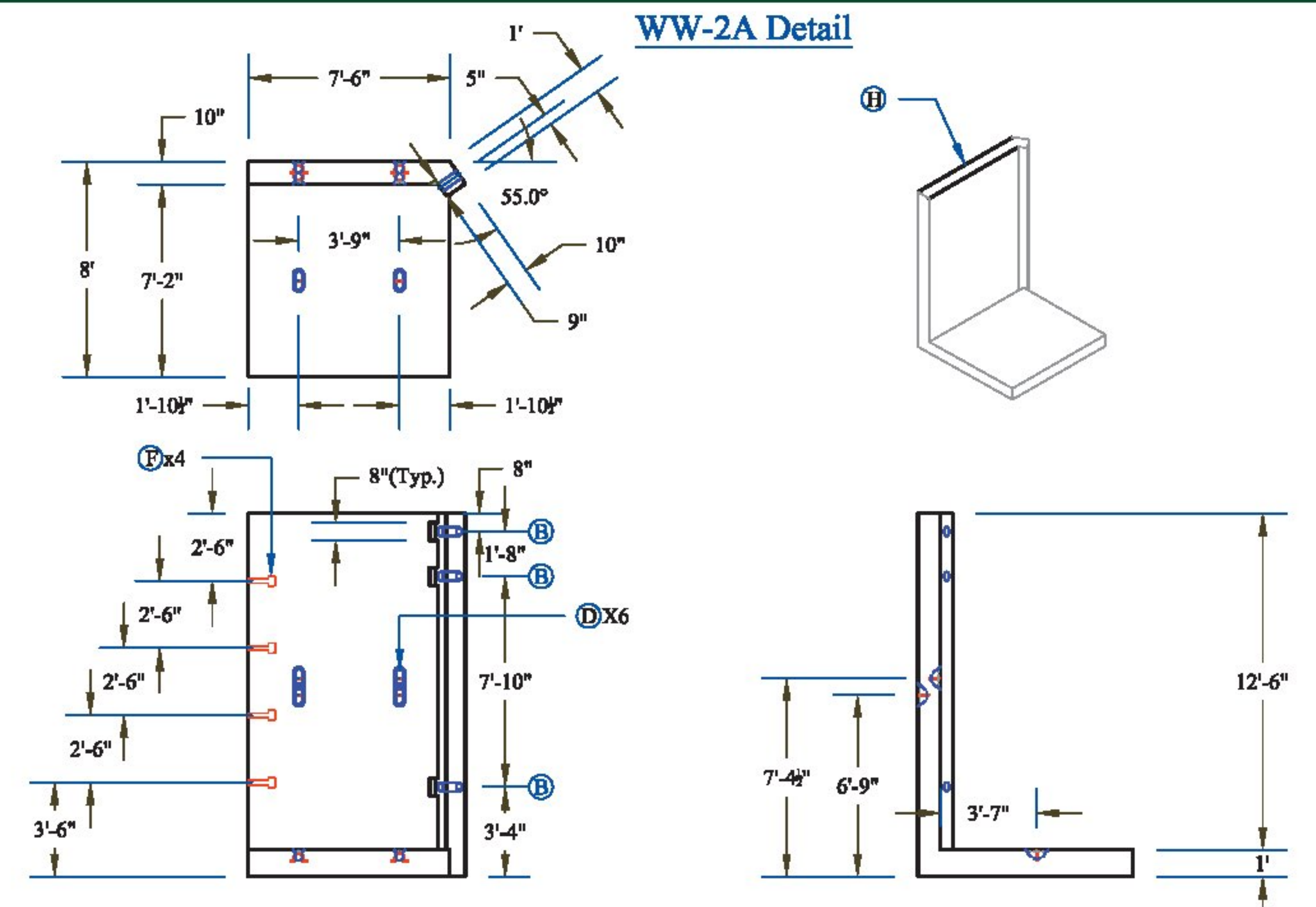


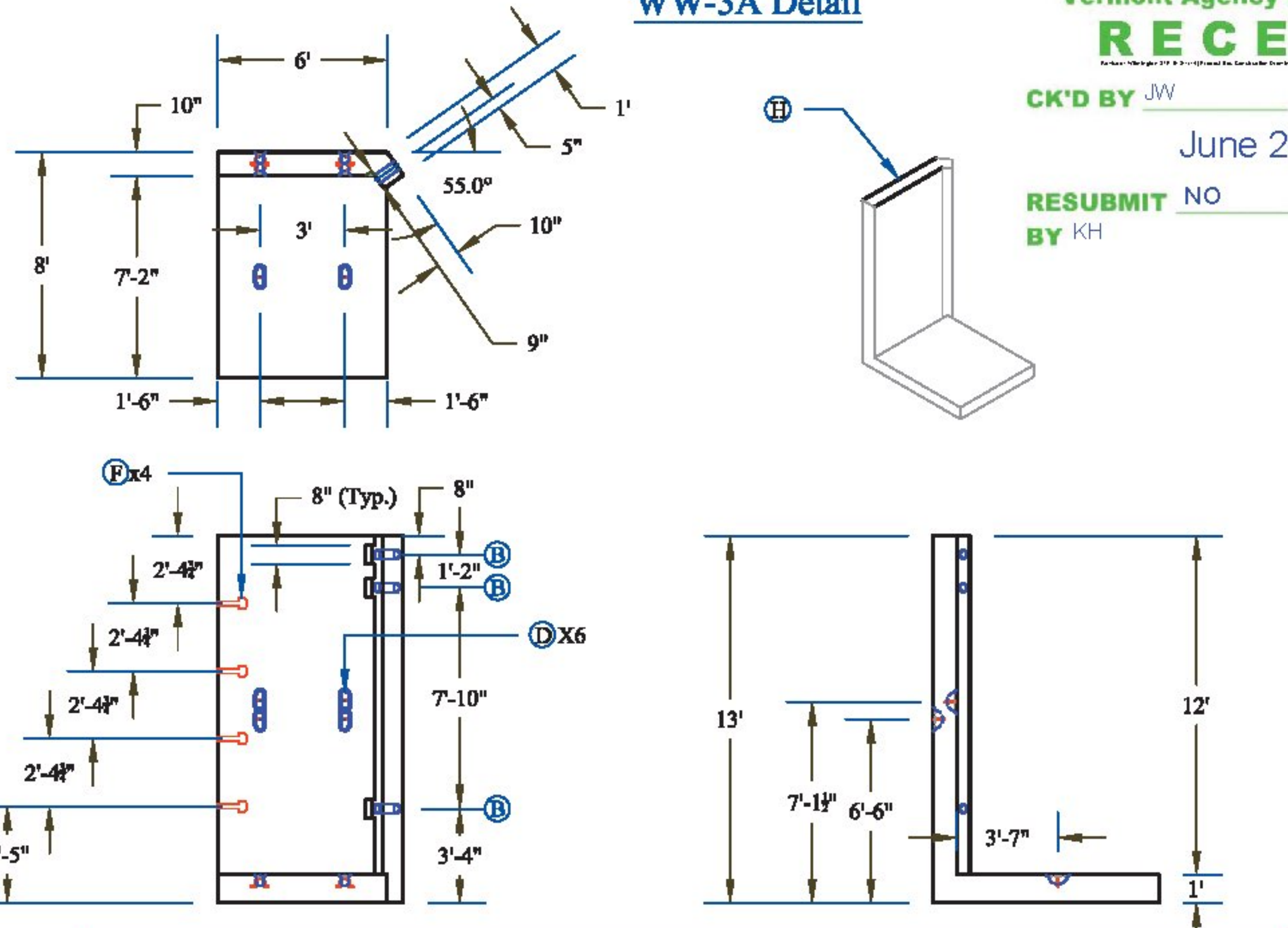
WW-1A Detail



WW-2A Detail



WW-3A Detail



Vermont Agency of Transportation

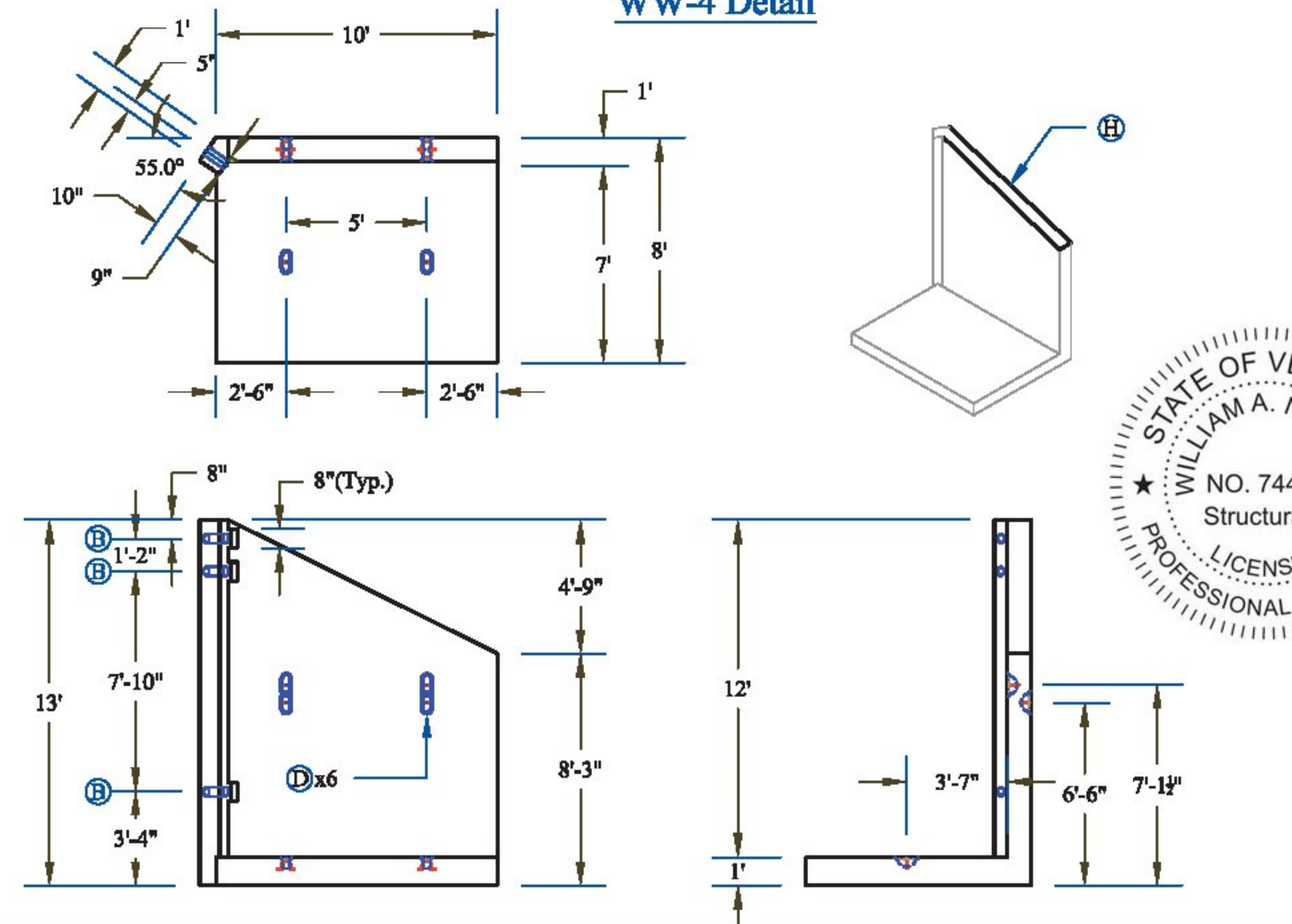
**RECEIVED**

CK'D BY JW OK'D BY JS

June 24, 2014

RESUBMIT NO Approved  
BY KH DATE 6-25-2014

WW-4 Detail



CONTRACTORS VISIT:

(A) 2" PVC Sleeve	(D) Oxford A750-7 Lifting Device	(G) 1 1/2" x 3 1/2" Continuous Keyway
(B) 4" PVC Sleeve	(E) 1" x 12" CX-9 Coil Loop Insert	(H) Solid Lines Indicate 3/4" Chamfer
(C) Mechanical Bolt Pocket (A.L. Patterson w/ 1" Coil Rod)	(F) Patterson Bolt Pocket Former	(I) 3/8" FI 64 Ferrule Insert

PRECAST CONCRETE BOX CULVERT SHOP DRAWINGS (SDI JOB #14213)  
 SUPERVISOR: M. WHEELER  
 DETAILER: I. ADAMS  
 CHECKER: T. DUDLEY  
 ENGINEER:

M&M Excavating  
 PO Box 585  
 Chester, VT 05143  
 Ph: (802) 875-3319  
 06/23/2014

FABRICATOR:  
 193 INDUSTRIAL AVE.  
 WILLISTON, VT 05495  
 Ph: (802) 658-0201



WINGWALLS