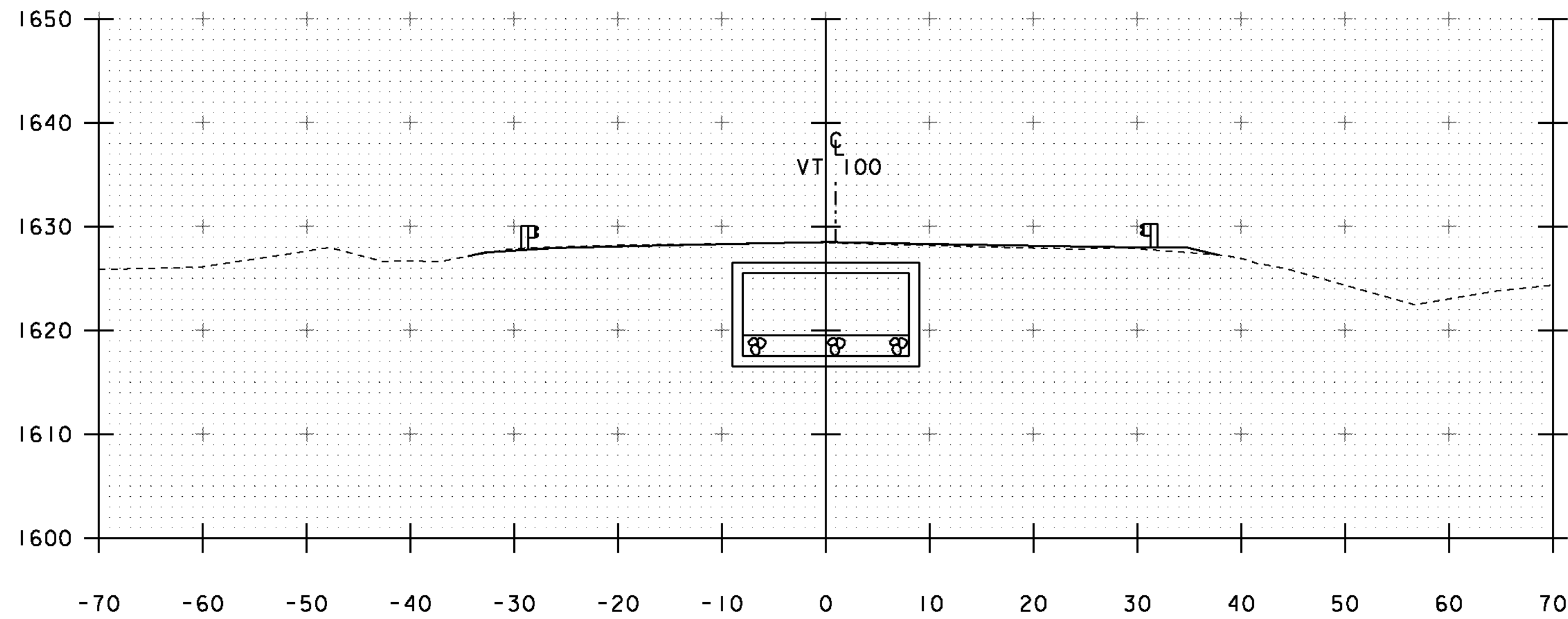
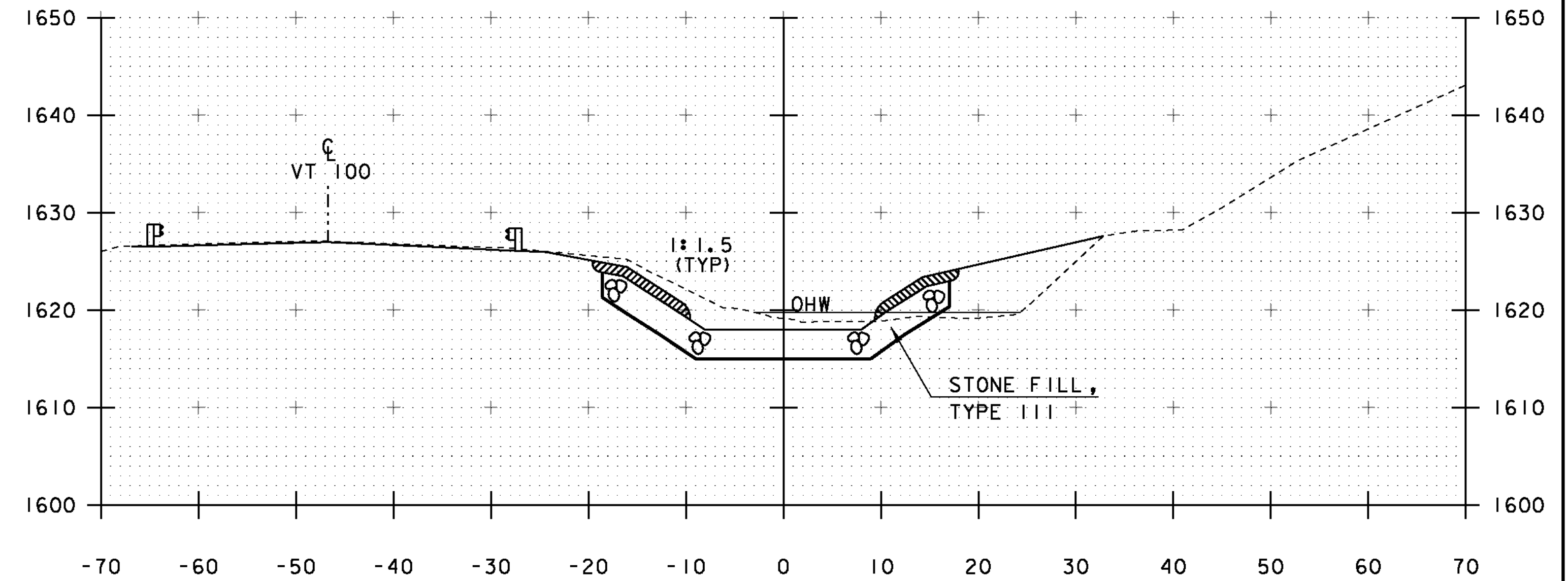


STA 81+55 BEGIN UNCLASSIFIED CHANNEL EXCAVATION  
 BEGIN GEOTEXTILE UNDER STONE FILL  
 BEGIN STONE FILL, TYPE III  
 BEGIN GRUBBING MATERIAL

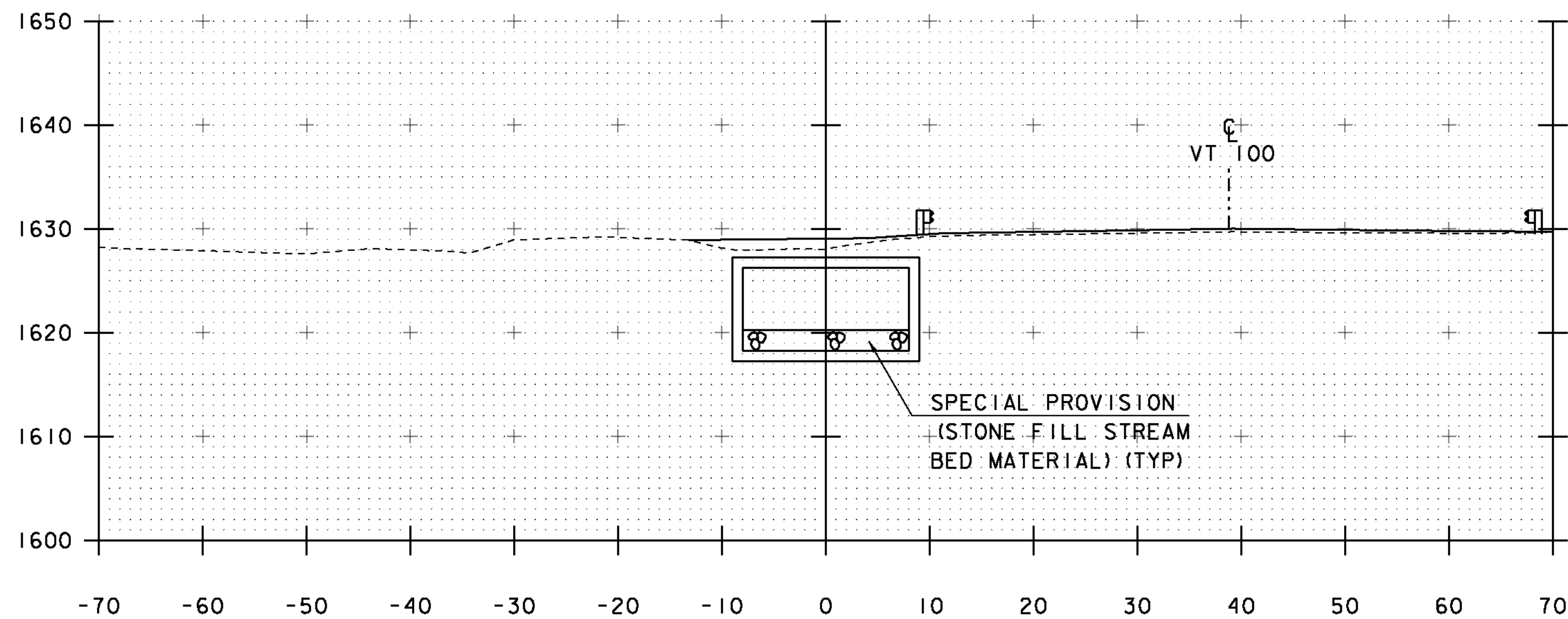


81+25

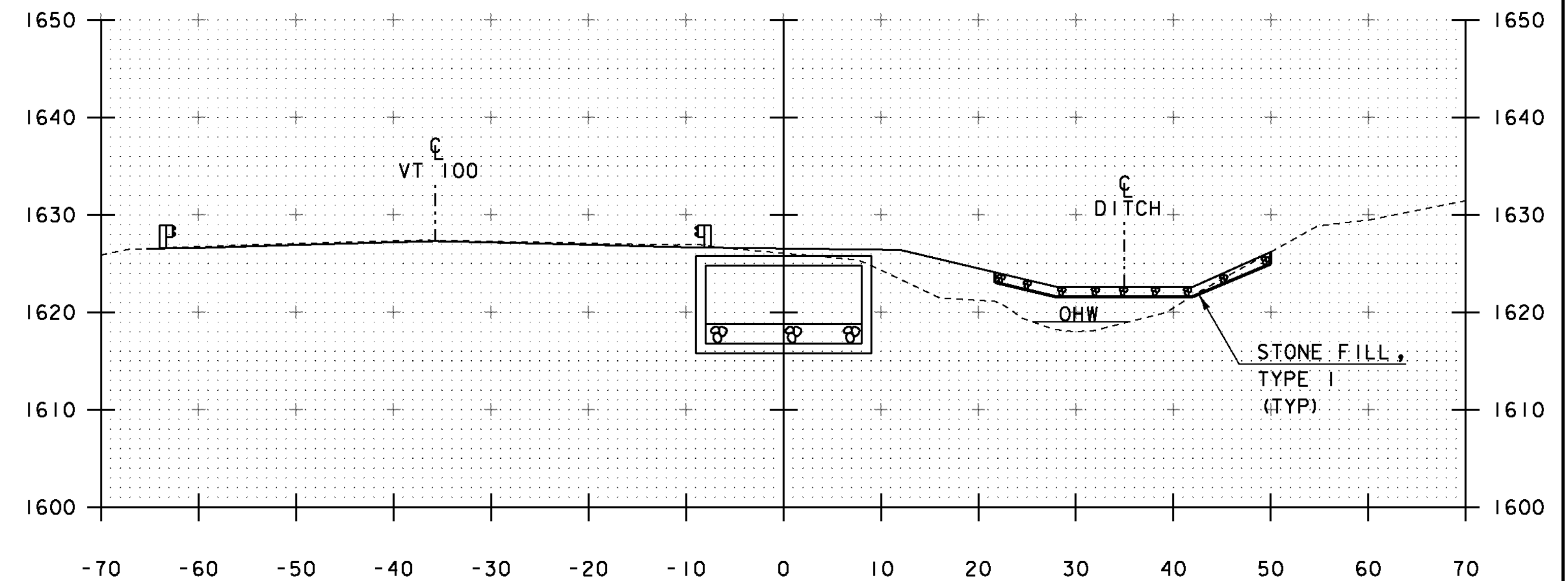


81+75

STA 80+95 END UNCLASSIFIED CHANNEL EXCAVATION  
 END GEOTEXTILE UNDER STONE FILL  
 END STONE FILL, TYPE III  
 END GRUBBING MATERIAL



81+00



81+50

STA. 81+00 TO STA. 81+75

PROJECT NAME: WILMINGTON	PLOT DATE: 02-JAN-2014
PROJECT NUMBER: STP 013-1(14)	DRAWN BY: J. SALVATORI
FILE NAME: s00b252xs.dgn	CHECKED BY: G. LAROCHE
PROJECT LEADER: K. HIGGINS	SHEET 28 OF 31
DESIGNED BY: J. SALVATORI	
CHANNEL SECTIONS 2	