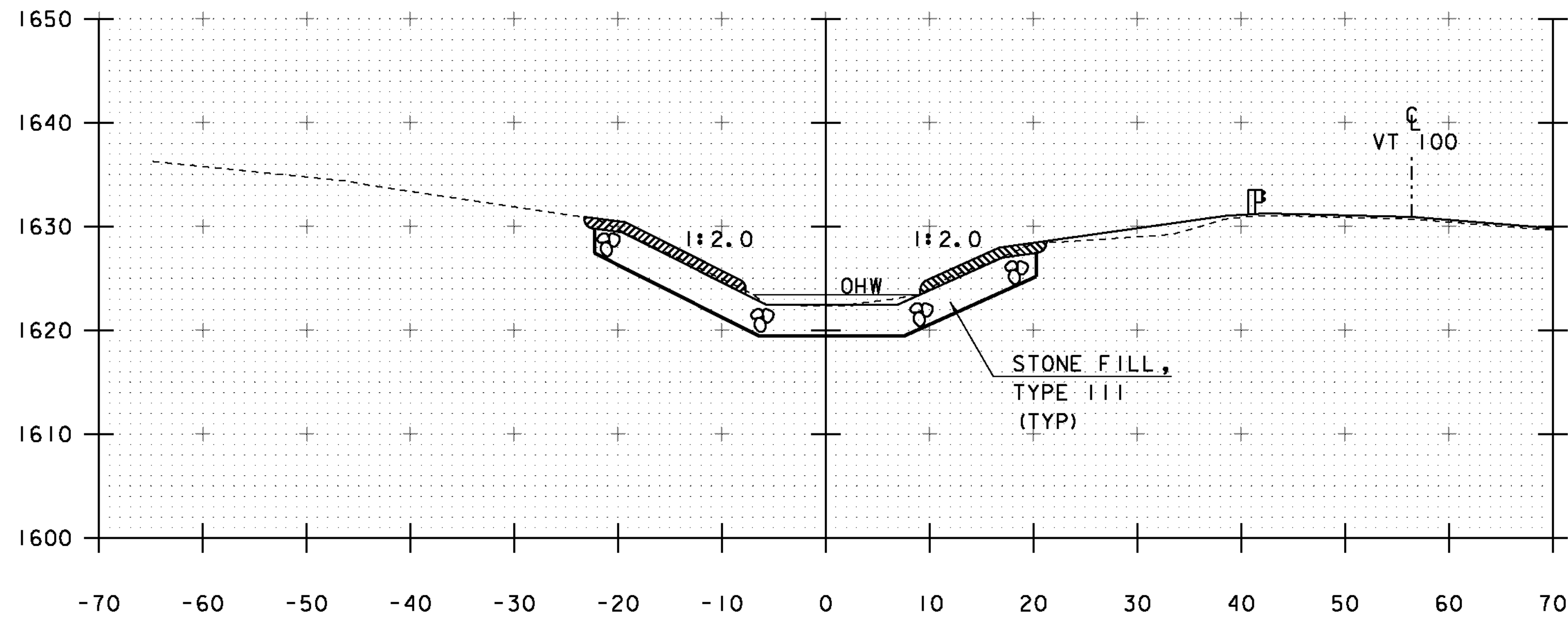
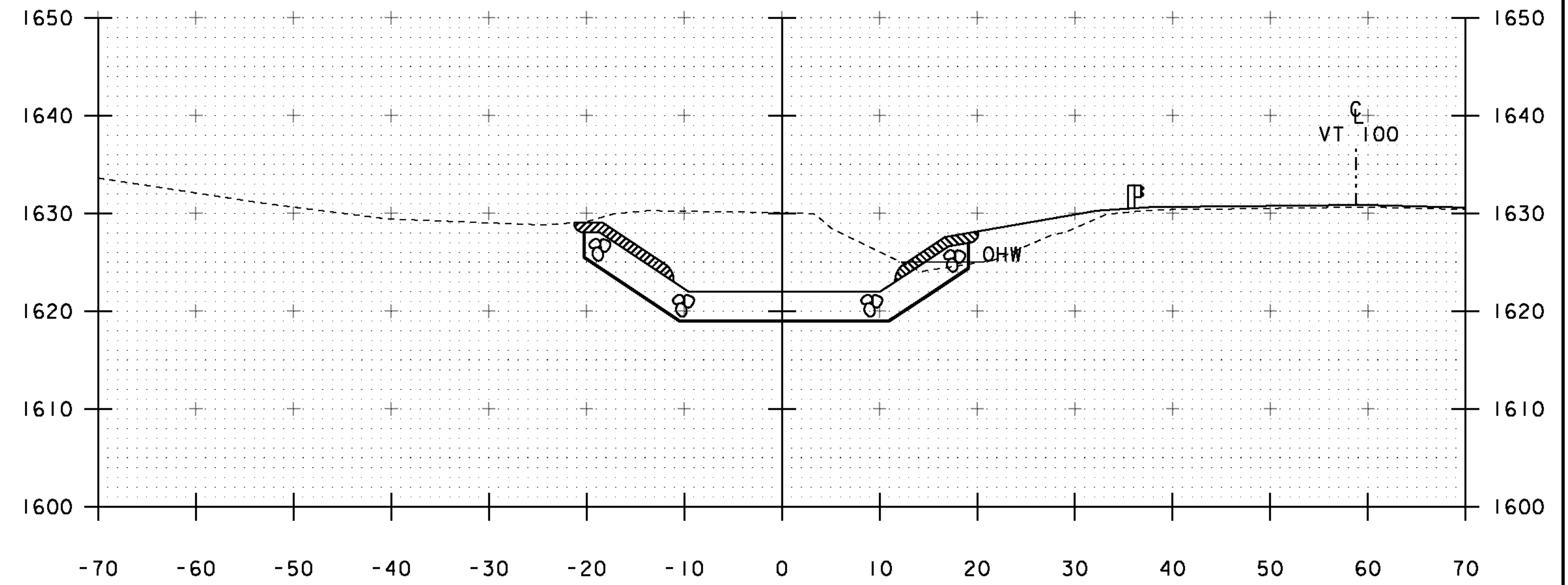


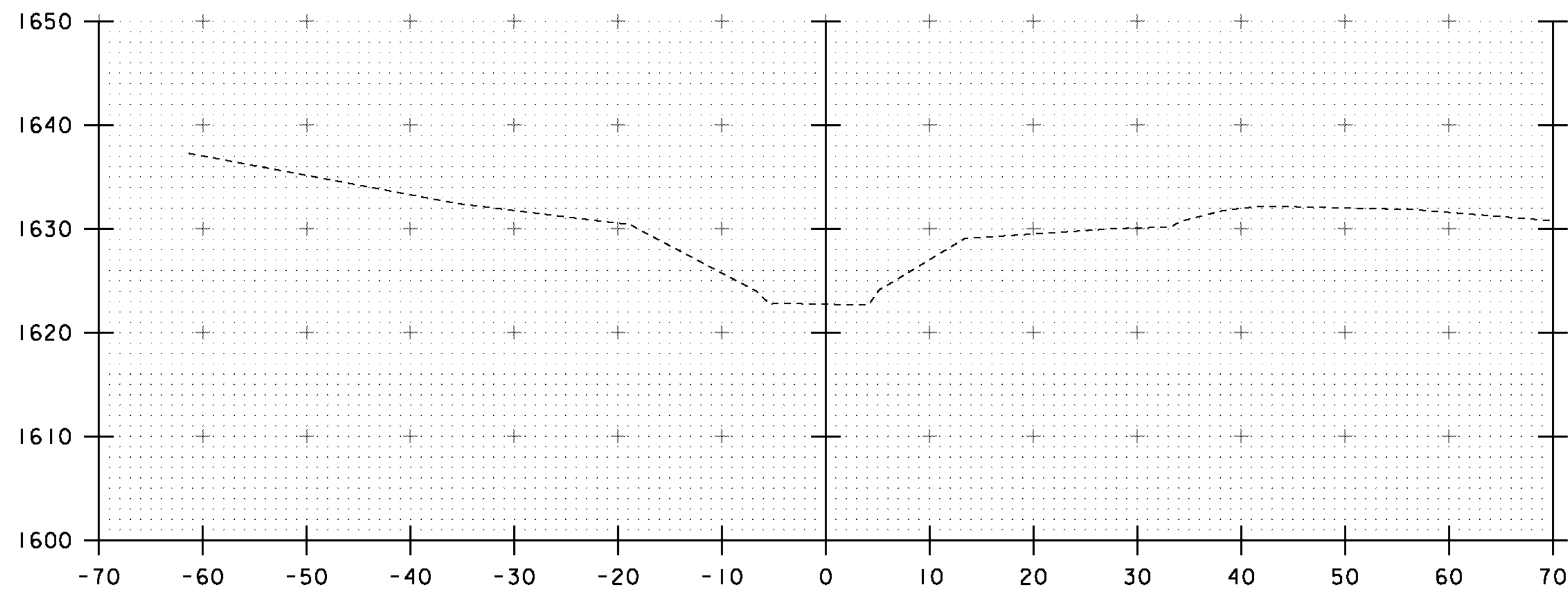
STA 80+25 BEGIN UNCLASSIFIED CHANNEL EXCAVATION
 BEGIN GEOTEXTILE UNDER STONE FILL
 BEGIN STONE FILL, TYPE III
 BEGIN GRUBBING MATERIAL



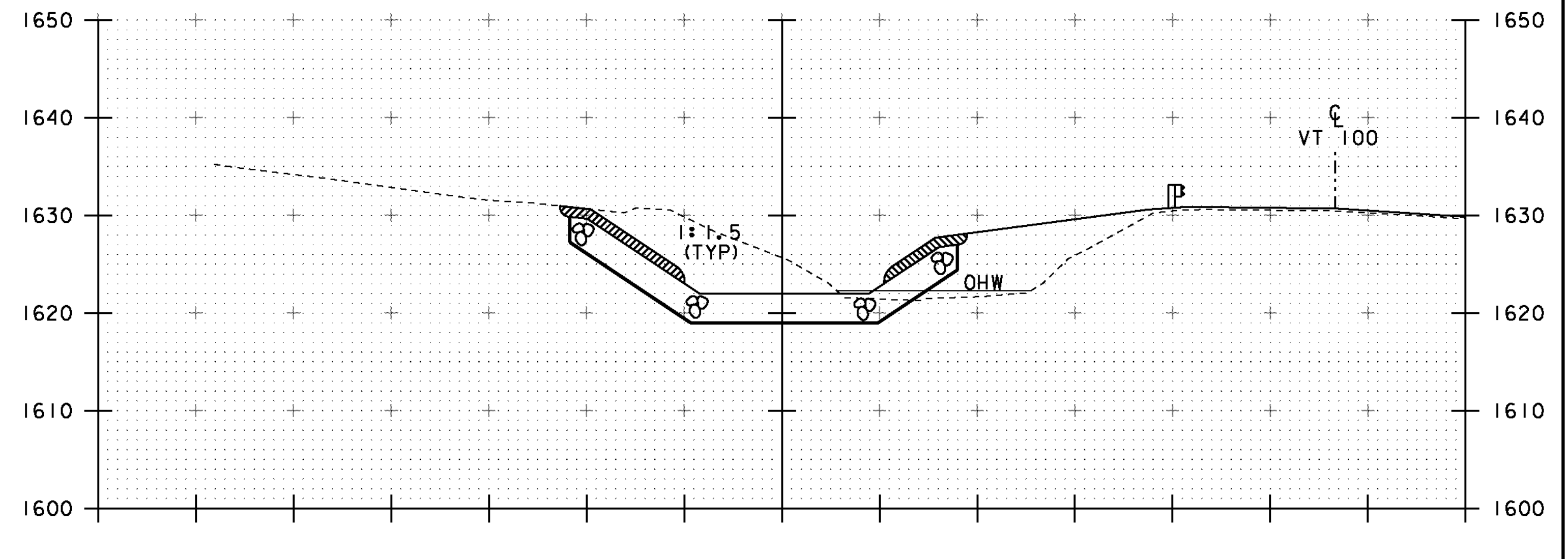
80+25



80+75



80+00



80+50

STA. 80+00 TO STA. 80+75

PROJECT NAME: WILMINGTON	
PROJECT NUMBER: STP 013-1(14)	
FILE NAME: s00b252xs.dgn	PLOT DATE: 02-JAN-2014
PROJECT LEADER: K. HIGGINS	DRAWN BY: J. SALVATORI
DESIGNED BY: J. SALVATORI	CHECKED BY: G. LAROCHE
CHANNEL SECTIONS 1	SHEET 27 OF 31