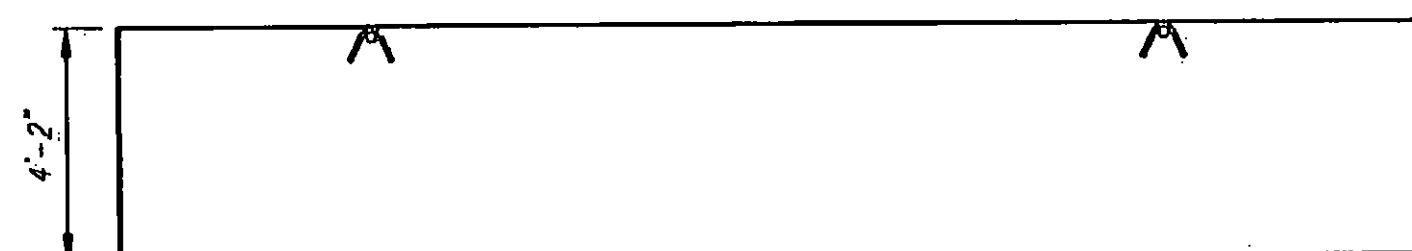
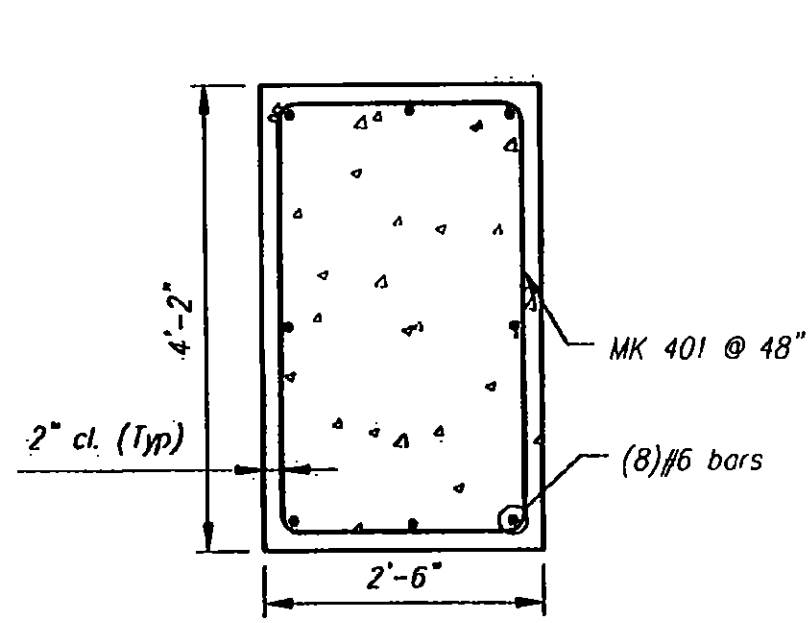


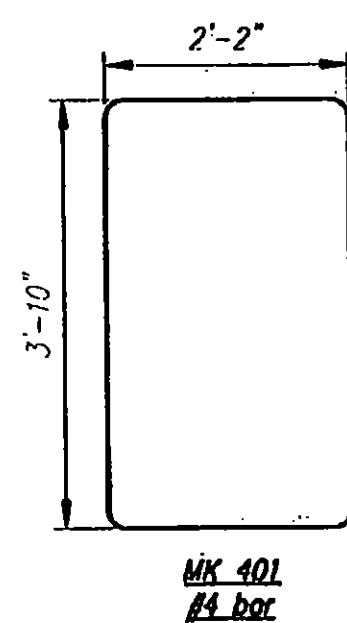
PLAN



ELEVATION



REINFORCING DETAIL



MK 401 #4 bar

F1 - BILL OF MATERIALS / EMBEDS				
CSI ID#	DESCRIPTION	QTY	UM	COMMENTS
EM-00115	UTILITY ANCHOR #8UA671-GALVANIZED	4	EA	
RM-00013	REBAR #4 BLACK- GR 60	61	LB	
RM-00017	REBAR #6 BLACK-GR 60 40'	272	LB	
MX-FA4000SC15	MIX DSGN 15% FLY ASH 4000 SELF COMPACT	8.87	CY	

Vermont Agency of Transportation  
**RECEIVED**  
 CK'D BY JLG OK'D BY WDL  
 August 21, 2012  
 RESUBMIT \_\_\_\_\_ APPROVED X  
 BY KMH DATE 8-21-12

PROJECT NO: STP 034-3 (21)  
 PROJECT NAME: BRIGHTON  
 MORRILL CONSTRUCTION  
 ROUTE NO. VT 105 - BRIDGE NO. 88  
 BRIGHTON, VT

Rev.	Date	DESCRIPTION	By
5			
4			
3			
2			
1			
REVISIONS			

**CSI**  
 Concrete Systems Inc.  
 9 Commercial St., Hudson, NH, 03051  
 Phone 603-889-4163  
 Fax 603-889-2417

Drawn By  
 A. KOSTENKO  
 Concrete Cu. Yd.  
 8.87  
 Approved By  
 Date

Date  
 08/20/2012  
 Weight in Tons  
 17.97

STATE AGENCY  
  
 Drawing No. B  
 SHOP DRAWING F1  
 C21314-F1  
 Quantity: 2 Project No: STP 034-3 (21) SHEET 9 OF 10

REV  
 0