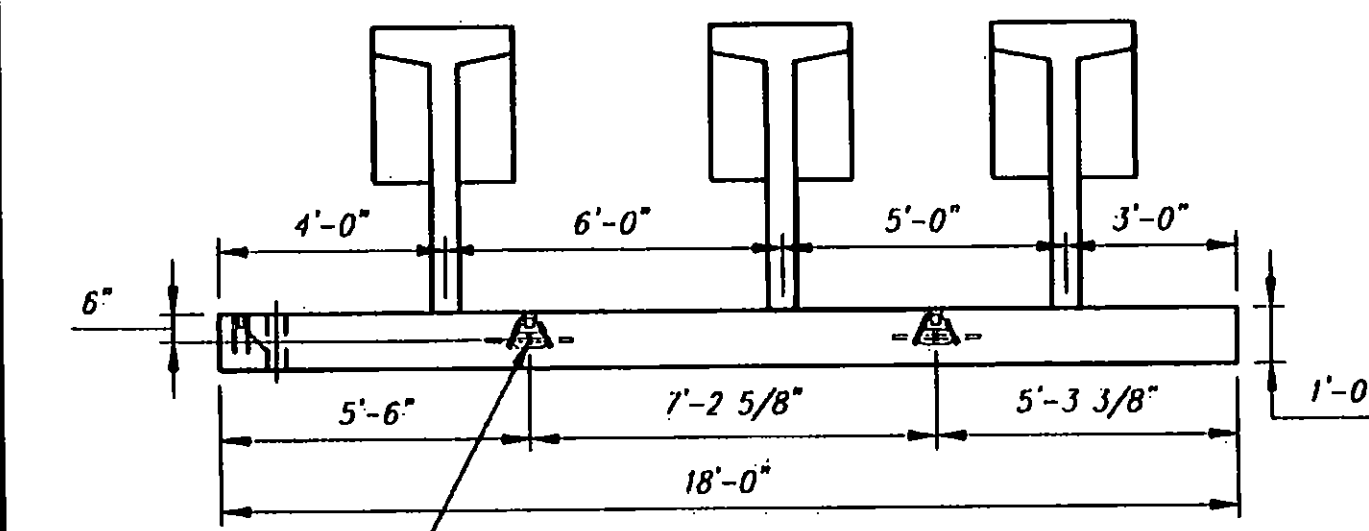


PLAN

REINFORCING PLAN

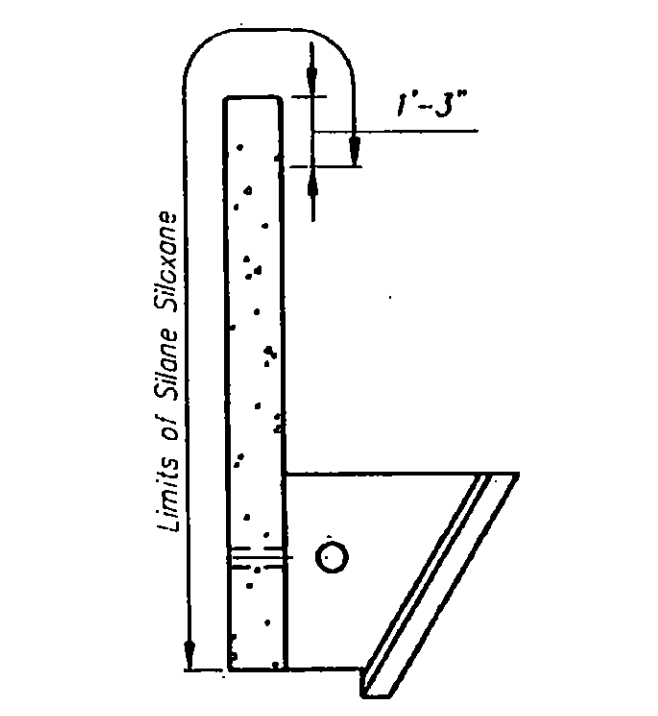


ELEVATION

WW1 - BILL OF MATERIALS / EMBEDS			
CSI ID#	DESCRIPTION	QTY	UM COMMENTS
CT-00005	CONSOLIDECK SALTGUARD (SILANE SILOXANE)	1.15	GA
CSANC-C	C/S WW ANCHOR "C"	3	EA
EM-00005	1" X 8" PRESET WING INSERTS	2	EA
EM-00034	4" FOAM CORE PVC	1	FT
EM-00115	UTILITY ANCHOR #8UA671-GALVANIZED	4	EA
EM-00122	8TON ERECTION ANCHOR GALV QL049G	2	EA W/TENSION BAR
RM-00013	REBAR #4 BLACK- GR 60	336	LB
RM-00015	REBAR #5 BLACK-GR 60 40'	239	LB
MX-FA5000SC20	MIX DSGN 20% FLY ASH 5000 SELF COMPACT	6.83	CY

RECEIVED

CK'D BY JLG OK'D BY WDL
 August 21, 2012
 RESUBMIT APPROVED X
 BY KMH DATE 8-21-12



SILANE-SILOXANE LIMITS

Rev.	Date	DESCRIPTION	By
5			
4			
3			
2			
1			

CSI
 Concrete Systems Inc.
 9 Commercial St., Hudson, NH, 03051
 Phone 603-889-4163
 Fax 603-889-2417

Drawn By A. KOSTENKO Date 08/20/2012
 Concrete Cu. Yd. 8.15 Weight in Tons 16.51
 Approved By Date

PROJECT NO: STP 034-3 (21)	MORRILL CONSTRUCTION ROUTE NO. VT 105 - BRIDGE NO. 88 BRIGHTON, VT	SHOP DRAWING WW1 C21314-WW1	REV 0
PROJECT NAME: BRIGHTON			
Quantity: 1	Project No: STP 034-3 (21)	SHEET 7 OF 10	