

**C4 CULVERT - BILL OF MATERIALS / EMBEDS**

CSI ID#	DESCRIPTION	QTY	UM	COMMENTS
EM-00010	DBSAE #4 X 18" BLACK	7	EA	DOWEL BAR SPLICER
EM-00112	3/4 X 4" GALV LF INSERT	8	EA	
EM-00115	UTILITY ANCHOR #8UA671-GALVANIZED	6	EA	
JS-00002	RUBATEX R421-N 1"X1" CLOSED NEOP GASKET	33	FT	AROUND BELL
RM-00013	REBAR #4 BLACK-GR 60	179	LB	
RM-00015	REBAR #5 BLACK-GR 60 40'	126	LB	
RM-00098	WIRE MESH ALL SIZES	783	LB	TOTAL WEIGHT
MX-FA5000SC20	MIX DSGN 20% FLY ASH 5000 SELF COMPACT	6.9	CY	

**C4 BAFFLE - BILL OF MATERIALS / EMBEDS**

CSI ID#	DESCRIPTION	QTY	UM	COMMENTS
EM-00018	DI #4 X 18" PLAIN	7	EA	DOWEL IN
RM-00013	REBAR #4 BLACK-GR 60	18	LB	
MX-FA5000SC20	MIX DSGN 20% FLY ASH 5000 SELF COMPACT	0.38	CY	

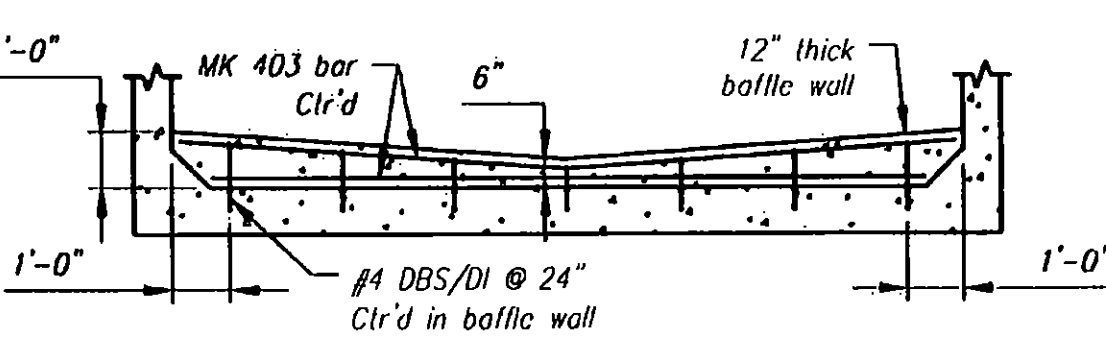
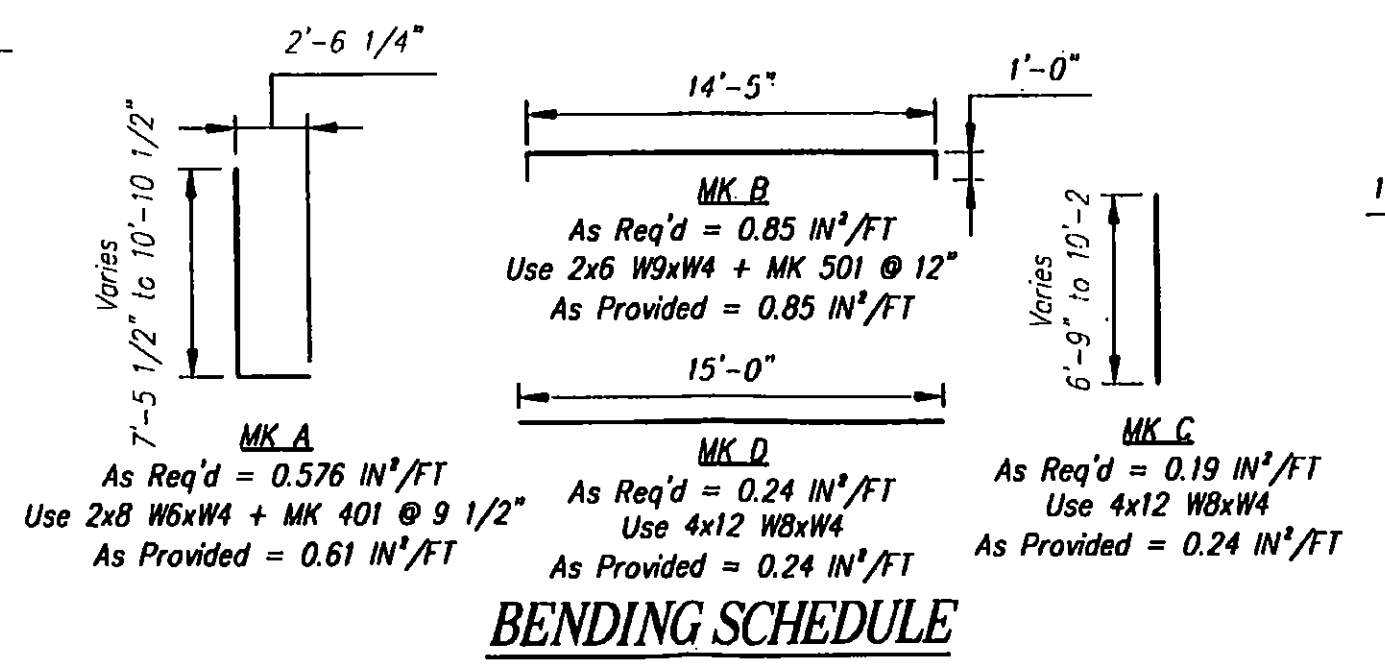
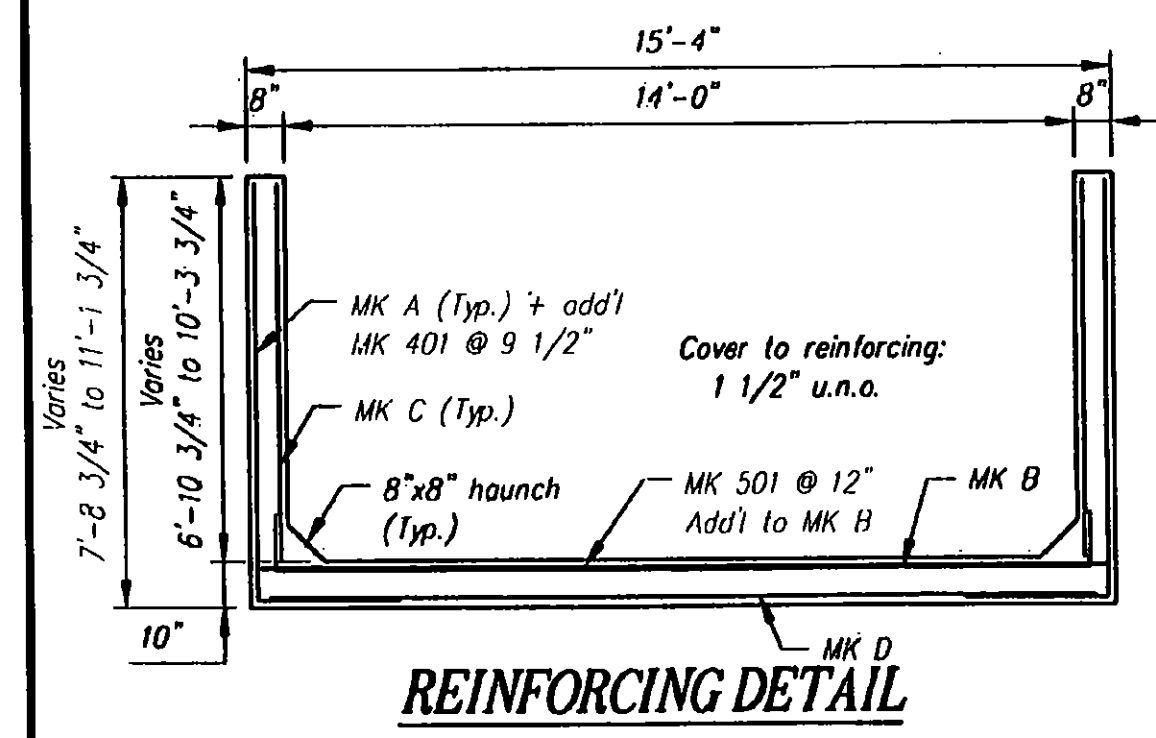
**Culvert Rebar Schedule**

MK	QTY	LENGTH
401 #4	20	13' - 5" MAX
501 #5	8	15' - 0"

**Baffle Rebar Schedule**

MK	QTY	LENGTH
403 #4	2	13' - 9"

Vermont Agency of Transportation  
**RECEIVED**  
 CK'D BY JLG OK'D BY WDL  
 August 21, 2012  
 RESUBMIT \_\_\_\_\_ APPROVED   
 BY KMH DATE 8-21-12



Rev.	Date	DESCRIPTION	By
5			
4			
3			
2			
1			

**Concrete Systems Inc.**  
 9 Commercial St., Hudson, NH, 03051  
 Phone 603-889-4163 Fax 603-889-2417

Drawn by A. KOSTENKO Date 08/20/2012  
 Concrete Cu. Yd. 7.28 Weight in tons 14.74  
 Approved by \_\_\_\_\_ Date \_\_\_\_\_

STATE AGENCY  
 VT Trans

PROJECT NO: STP 034-3 (21)  
 PROJECT NAME: BRIGHTON  
 MORRILL CONSTRUCTION  
 ROUTE NO. VT 105 - BRIDGE NO. 88  
 BRIGHTON, VT

SHOP DRAWING C4  
 C21314-C4

Quantity: 1 Project No: STP 034-3 (21) SHEET 4 OF 10