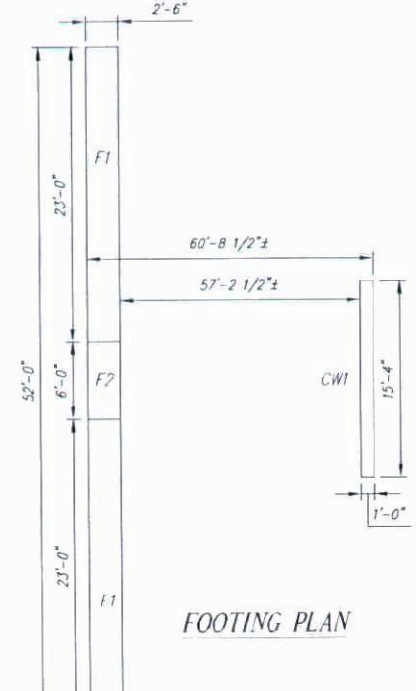
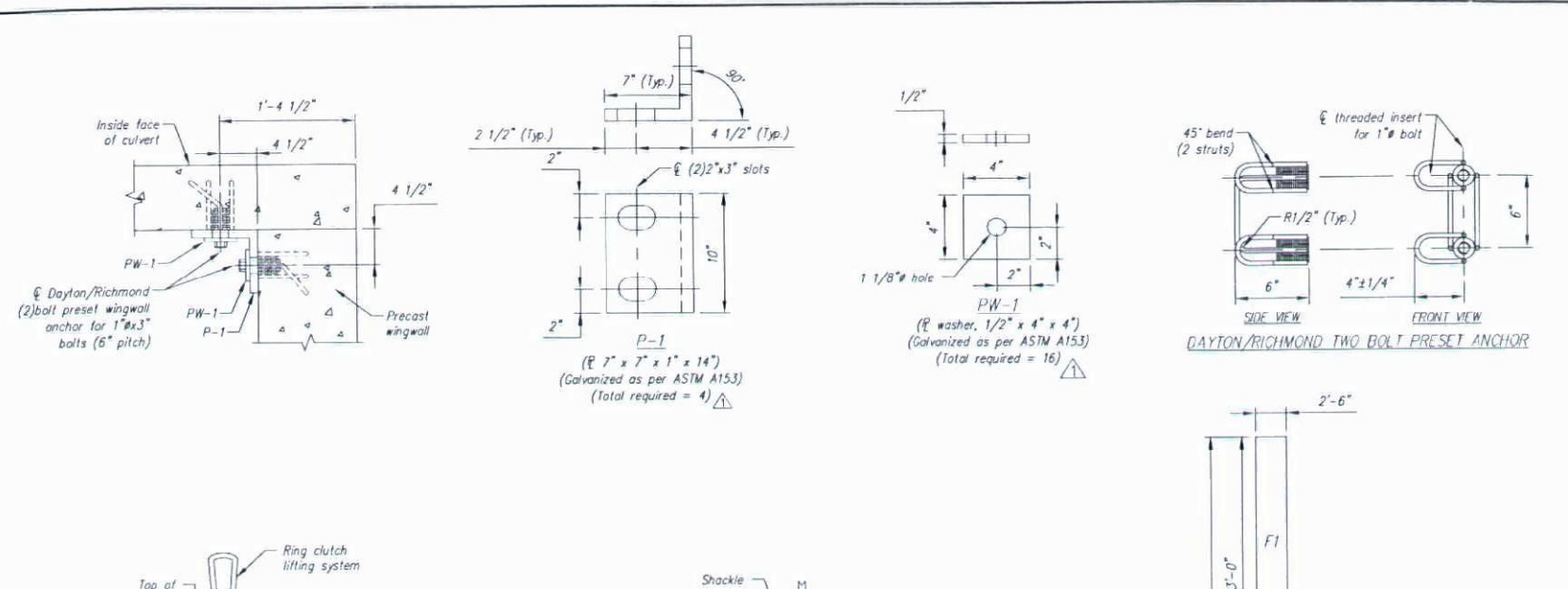
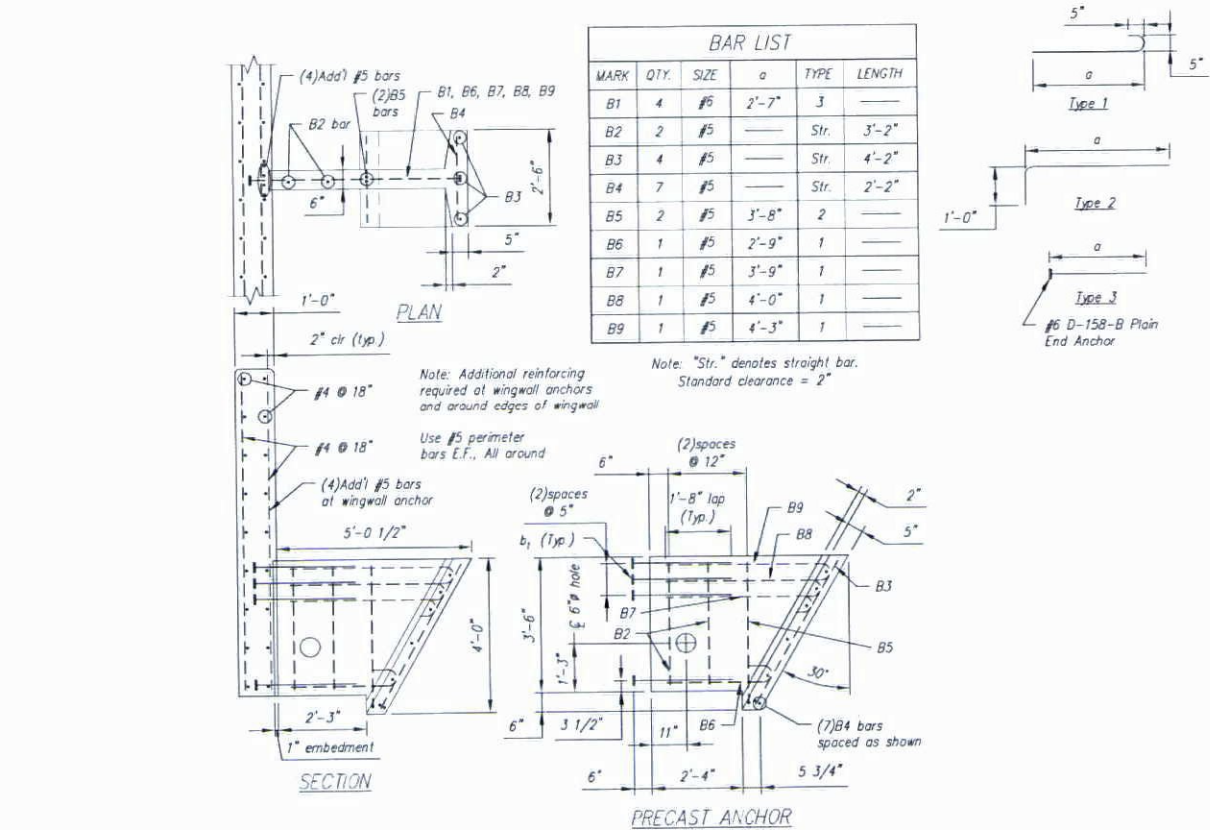


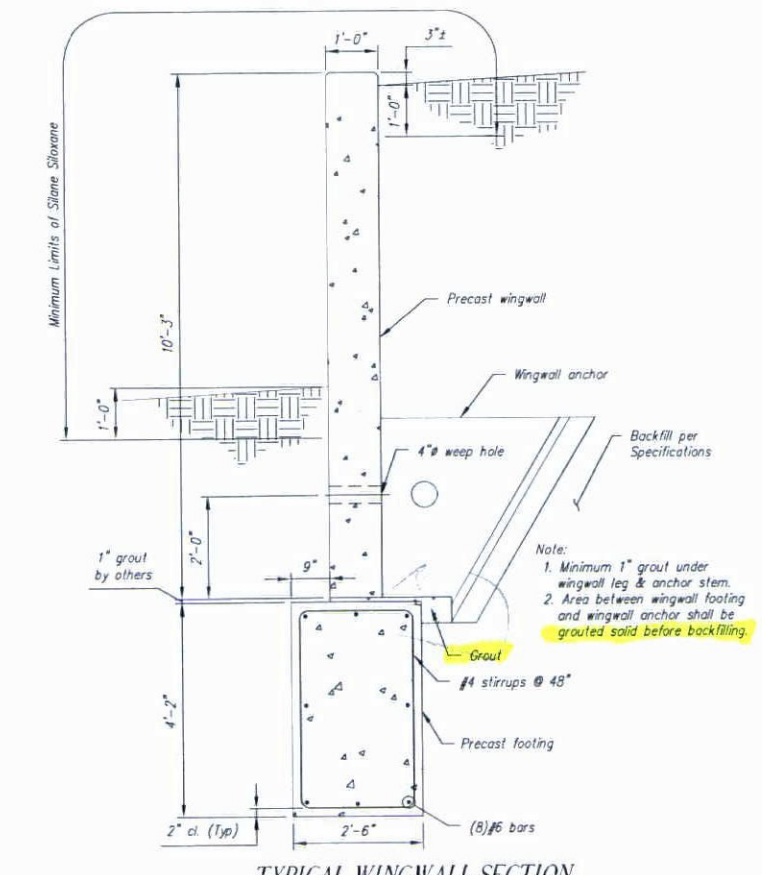
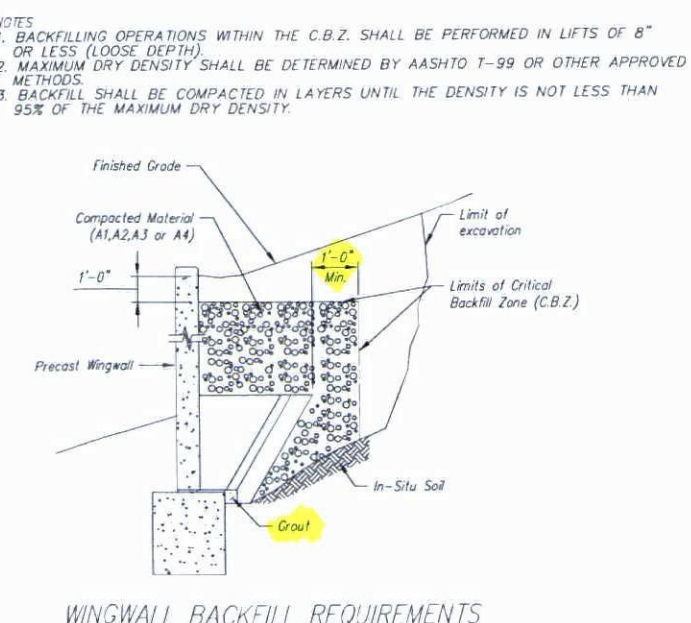
Vermont Agency of Transportation  
**RECEIVED**  
 CK'D BY JLG OK'D BY WDL  
 August 21, 2012  
 RESUBMIT BY KMH APPROVED X  
 BY DATE 8-21-12



WINGWALL GENERAL NOTES:  
 1. See wingwall form book required to erect and maintain. The project engineer shall be responsible for the contractor's ability to erect the wingwall and for the structural engineer's ability to verify the design and construction of the wingwall.  
 2. For in construction, contractor shall verify all dimensions shown through the engineer.  
 DESIGN DATE:  
 Design Manual: MASH 1993 Specification  
 Manual: Manual for Design, 2002 per  
 Manual: Manual for Design, 2002 per  
 Manual: Manual for Design, 2002 per



Group Classification	A-1	A-2	A-3	A-4	A-5	A-6	A-7
Scale Angles/Percent Passing	50 max	55 max	57 max	35 max	35 max	35 max	35 max
Characteristics of Fraction Passing	30 max	25 max	10 max	10 max	10 max	10 max	10 max
Coast Limit	40 max	41 max	40 max	41 max	40 max	41 max	41 max
Plasticity Index	6 max	NP	10 max	10 max	11 max	11 max	11 max
Moisture Content	Shale Fragments	Free	Shale Fragments	Shale Fragments	Shale Fragments	Shale Fragments	Shale Fragments
Consolidation Method	Green & Sand	Sand	Green & Sand	Green & Sand	Green & Sand	Green & Sand	Green & Sand
General Piling on Subgrade	Excellent to Good	Excellent to Good	Excellent to Good	Excellent to Good	Excellent to Good	Excellent to Good	Excellent to Good



This drawing is to be used for information only. It is not to be used for construction. The contractor shall be responsible for the design and construction of the wingwall. The engineer shall be responsible for the design and construction of the wingwall. The contractor shall be responsible for the design and construction of the wingwall. The engineer shall be responsible for the design and construction of the wingwall.

REV.	DATE	DESCRIPTION	BY	CHK'D BY
1	08/23/2012	Corrected sheet P-1 quantity	AK	
2				
3				

STATE LICENSED  
**CS**  
 Concrete Systems, Inc.  
 1000 North Main Street  
 Burlington, VT 05401  
 Phone: 802-249-4444  
 Fax: 802-249-4444

PROJECT NO: S1P 034-3 (21)  
 PROJECT NAME: BRIGHTON  
 MORRILL CONSTRUCTION  
 ROUTE NO. VT 105 - BRIDGE NO. 88  
 BRIGHTON, VT

DATE: 08/21/2012  
 DRAWN BY: JLG  
 CHECKED BY: WDL  
 PROJECTED: 08/21/2012

PROJECT NO: S1P 034-3 (21)  
 SHEET 2 OF 2