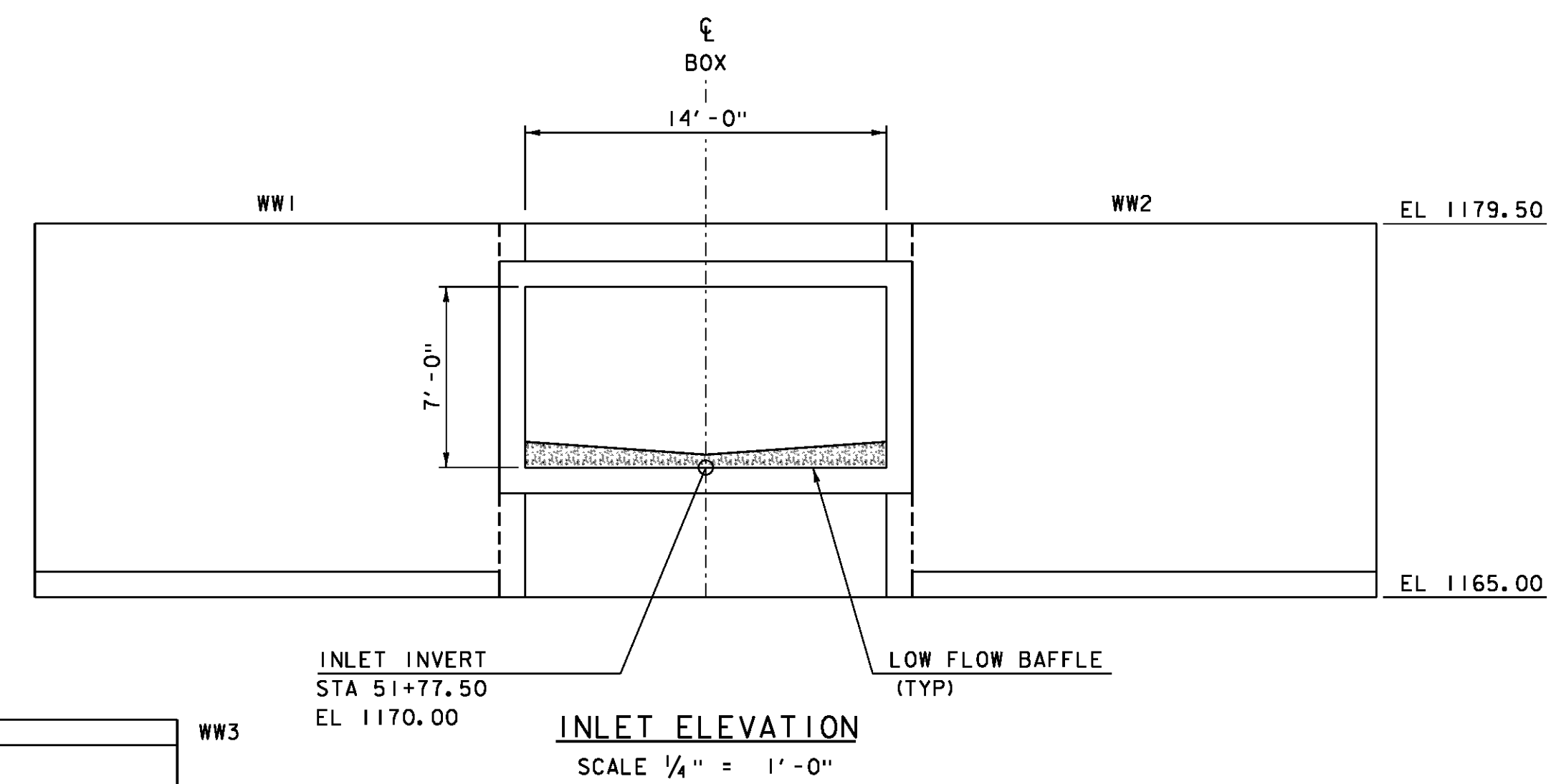
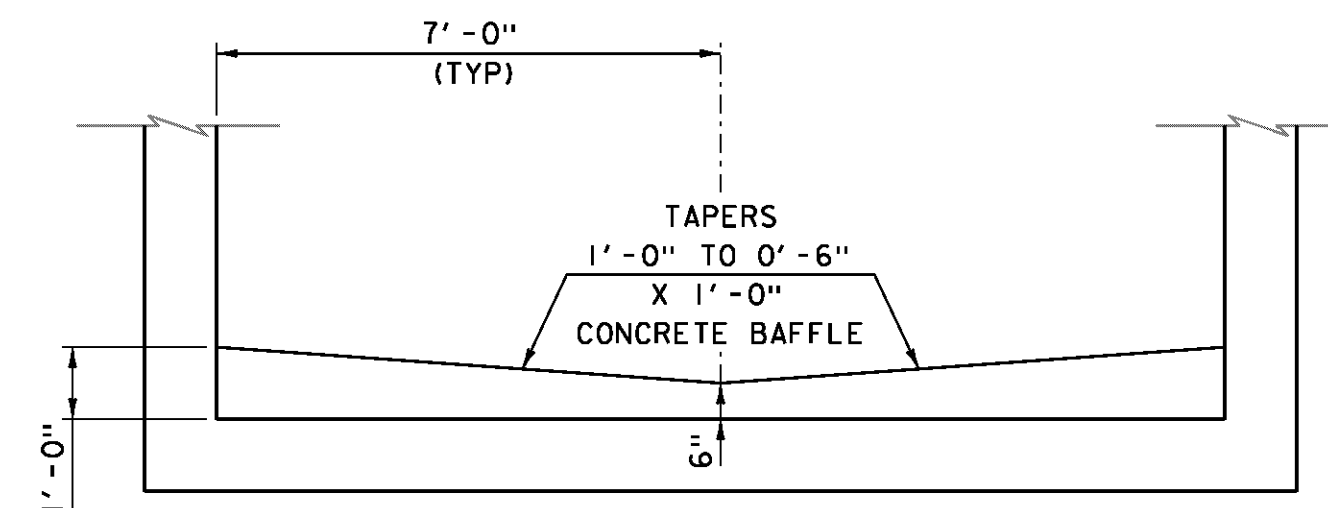


BOX LAYOUT
SCALE 1/4" = 1'-0"

MAINLINE STA 264+75.00
CHANNEL STA 52+00.00
 $\Delta = 90^{\circ}-00'-00''$

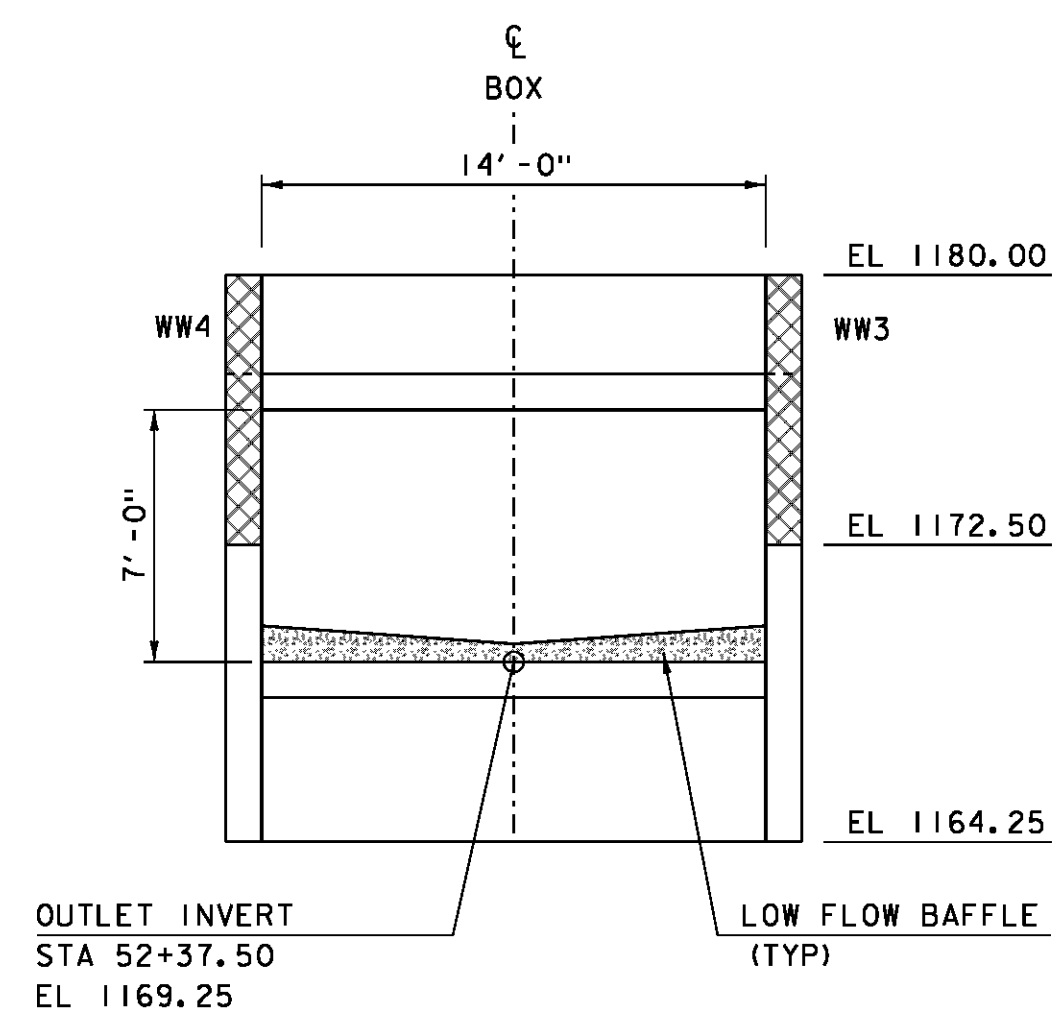


INLET ELEVATION
SCALE 1/4" = 1'-0"



- NOTES:**
1. BAFFLES TO BE SPACED A MINIMUM OF EVERY 8'-0"
 2. FABRICATOR TO DETAIL BAFFLE CONNECTION.

LOW FLOW BAFFLE DETAIL
SCALE 1/2" = 1'-0"



OUTLET ELEVATION
SCALE 1/4" = 1'-0"

- NOTES:**
1. DIMENSIONS SHOWN ARE BASED ON AN ASSUMED WALL THICKNESS OF 1'-0"
 2. THE PRECAST BOX SECTIONS ARE SHOWN FOR REFERENCE ONLY. THE ACTUAL DIMENSIONS AND SHAPE WILL BE DEPENDENT ON THE FABRICATOR.

PROJECT NAME: BRIGHTON
PROJECT NUMBER: STP 034-3(21)

FILE NAME: s00b246sub.dgn
PROJECT LEADER: K. HIGGINS
DESIGNED BY: J. SALVATORI
BOX LAYOUT

PLOT DATE: 12-JUN-2012
DRAWN BY: J. SALVATORI
CHECKED BY: W. LAMMER
SHEET 15 OF 30