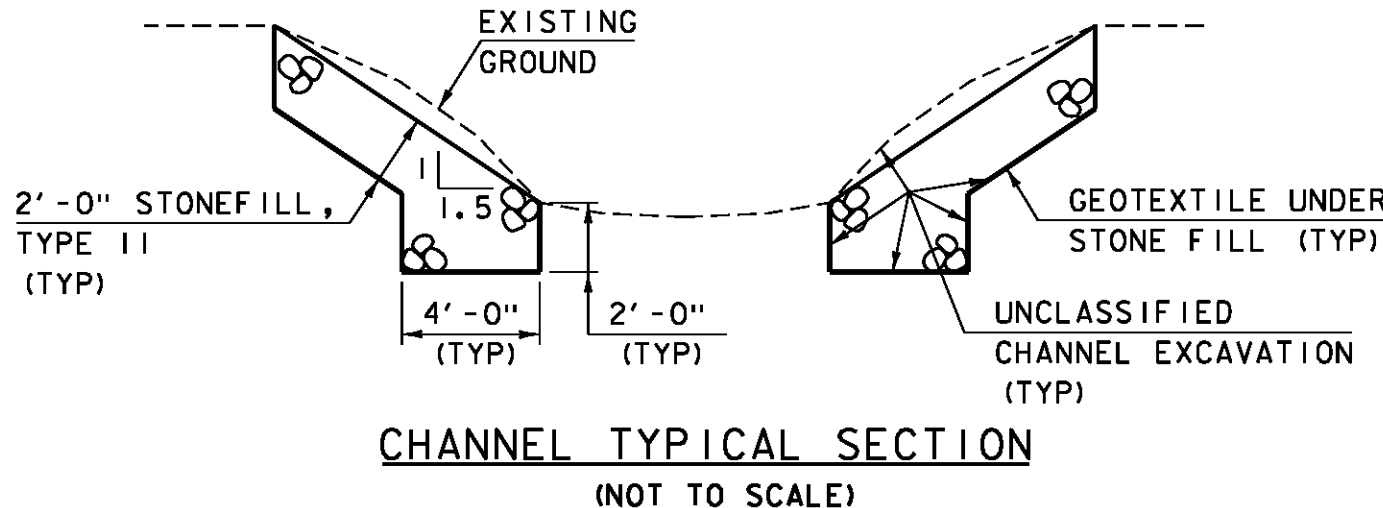
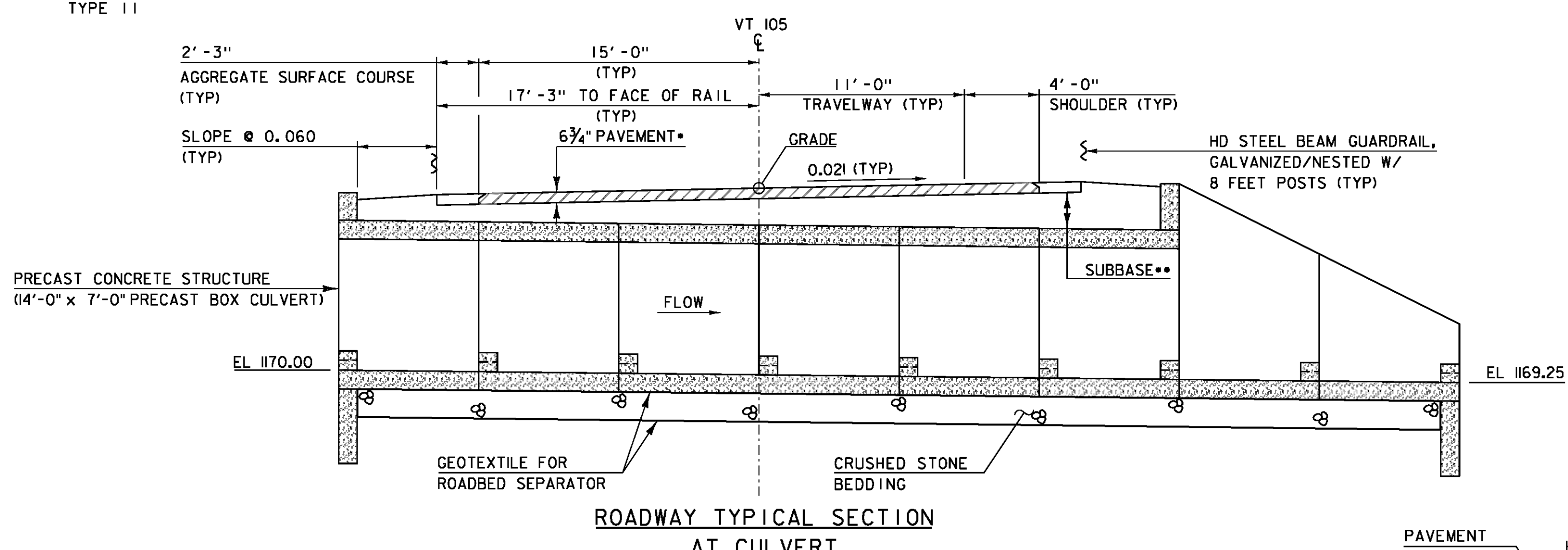
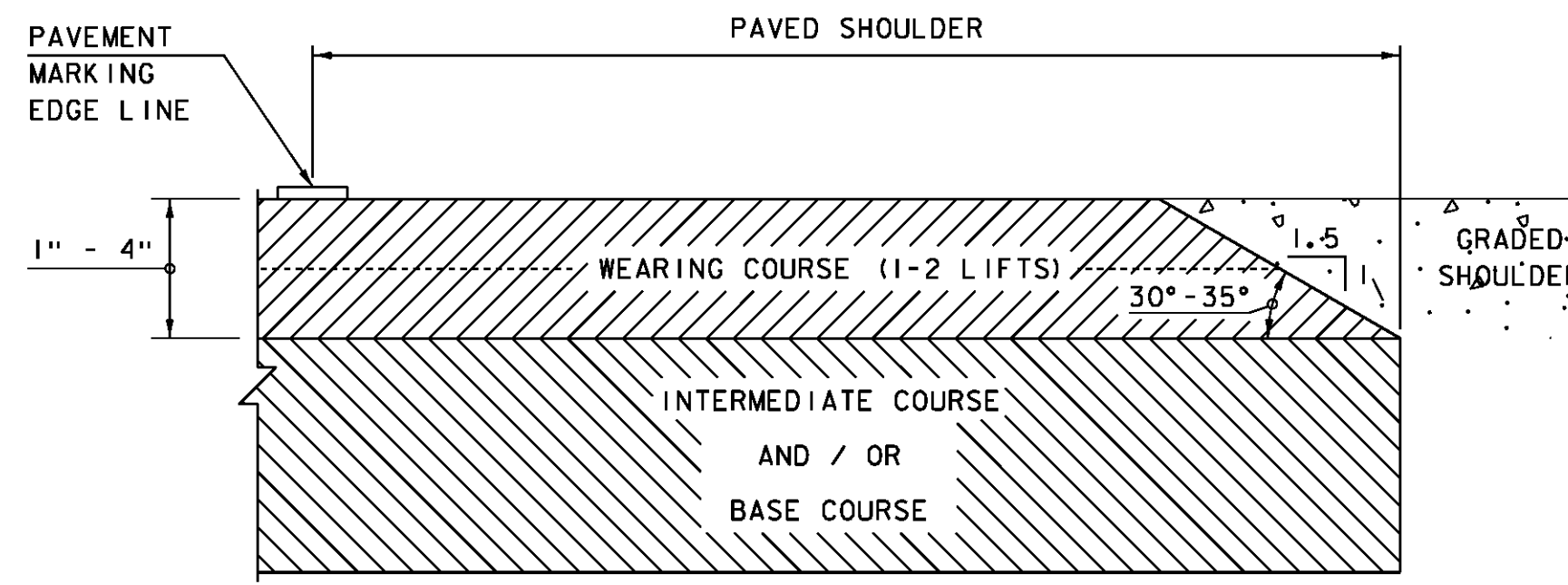


MATERIAL TOLERANCES
(IF USED ON PROJECT)

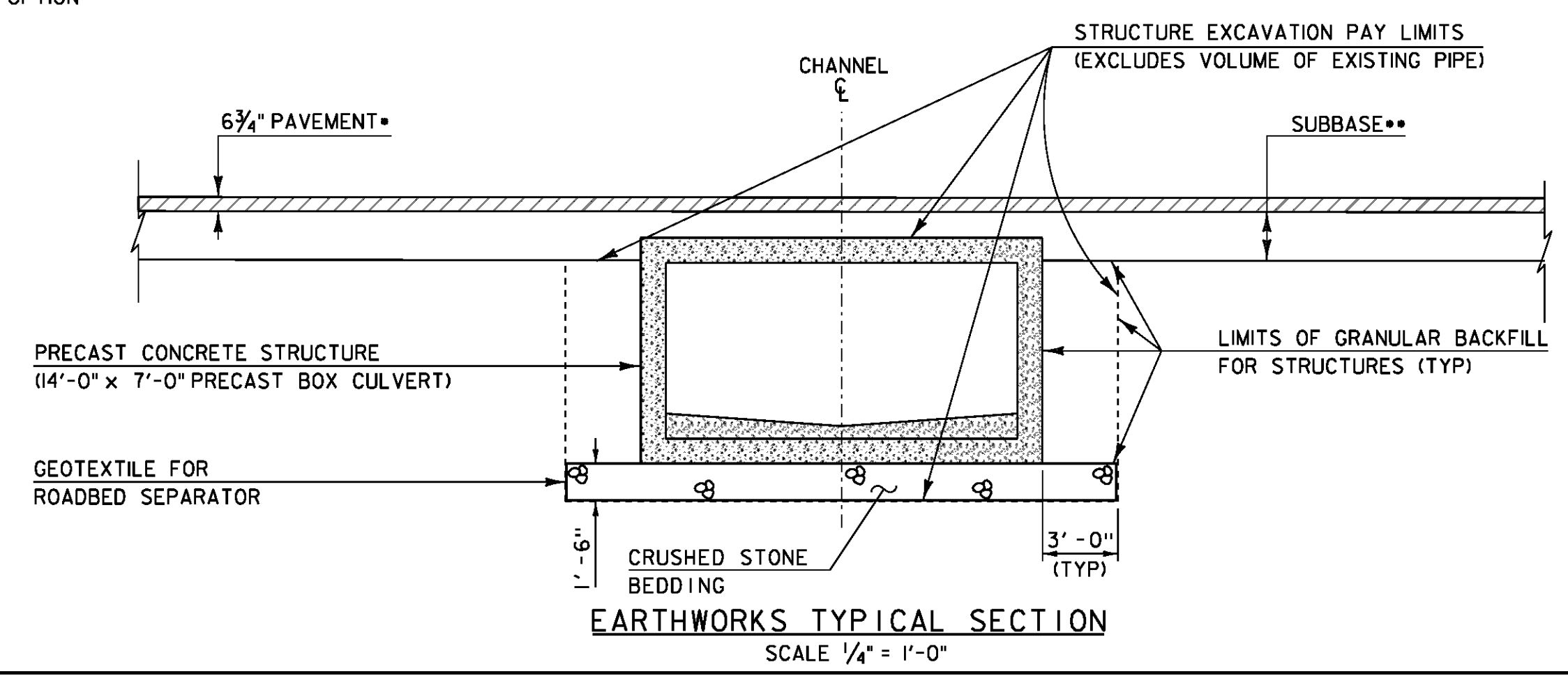
SURFACE	
- PAVEMENT (TOTAL THICKNESS)	+/- 1/4"
- AGGREGATE SURFACE COURSE	+/- 1/2"
SUBBASE	
	+/- 1"
SAND BORROW	
	+/- 1"



- 1 3/4" TYPE IVS SUPERPAVE BCP WEARING COURSE, OVER
- 2 1/2" TYPE IIS SUPERPAVE BCP INTERMEDIATE BINDER COURSE
- 2 1/2" TYPE IIS SUPERPAVE BCP BASE COURSE
- 24" SUBBASE OPTION



NOTE: LEVELING COURSE MAY INCLUDE THE "SAFETY EDGE" AT THE CONTRACTOR'S CHOICE.



PROJECT NAME: BRIGHTON	PLOT DATE: 12-JUN-2012
PROJECT NUMBER: STP 034-3(21)	DRAWN BY: J. SALVATORI
FILE NAME: s00b2461yp.dgn	CHECKED BY: W. LAMMER
PROJECT LEADER: K. HIGGINS	TYPICAL SECTIONS
DESIGNED BY: J. SALVATORI	SHEET 6 OF 30