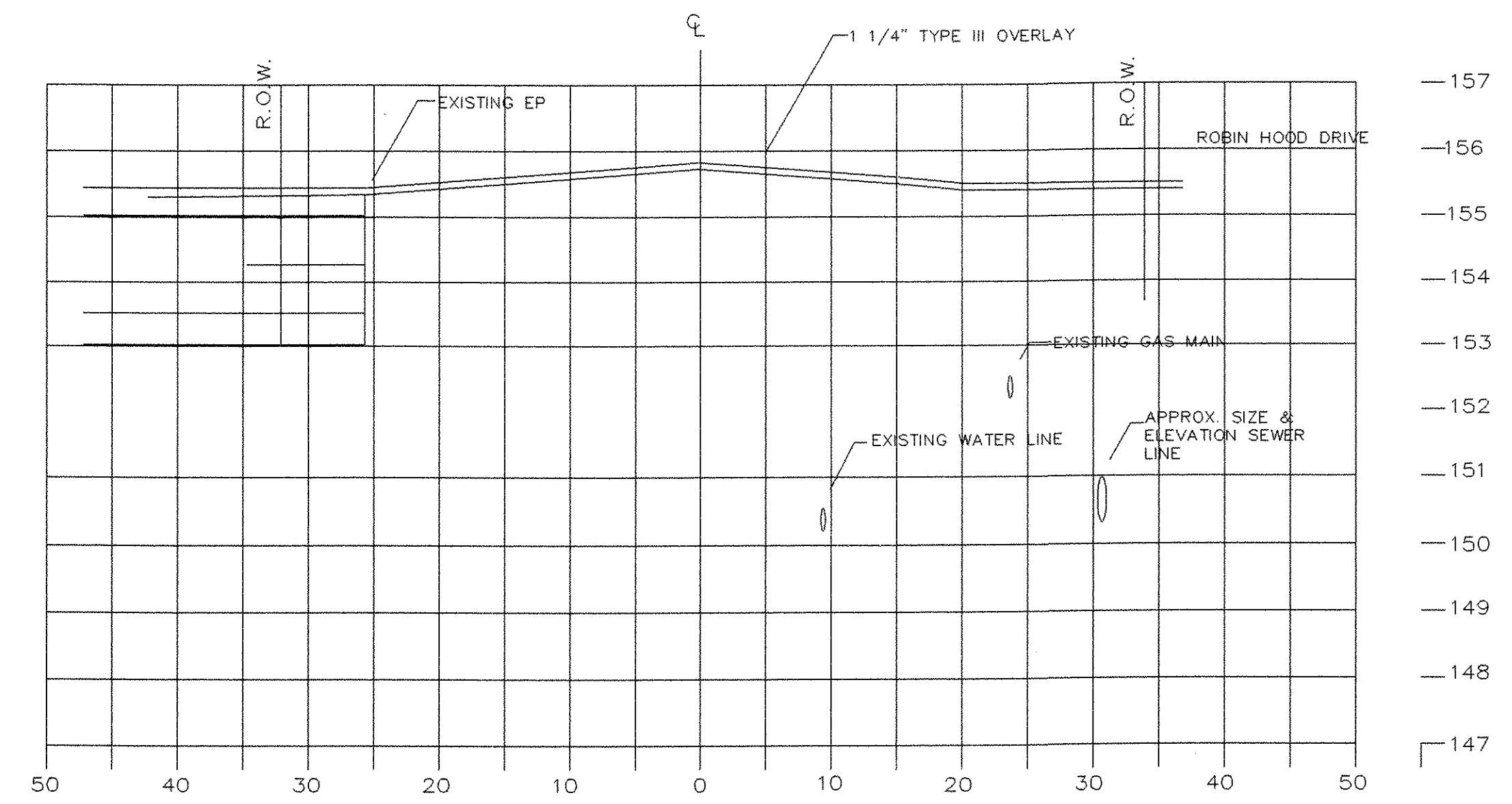
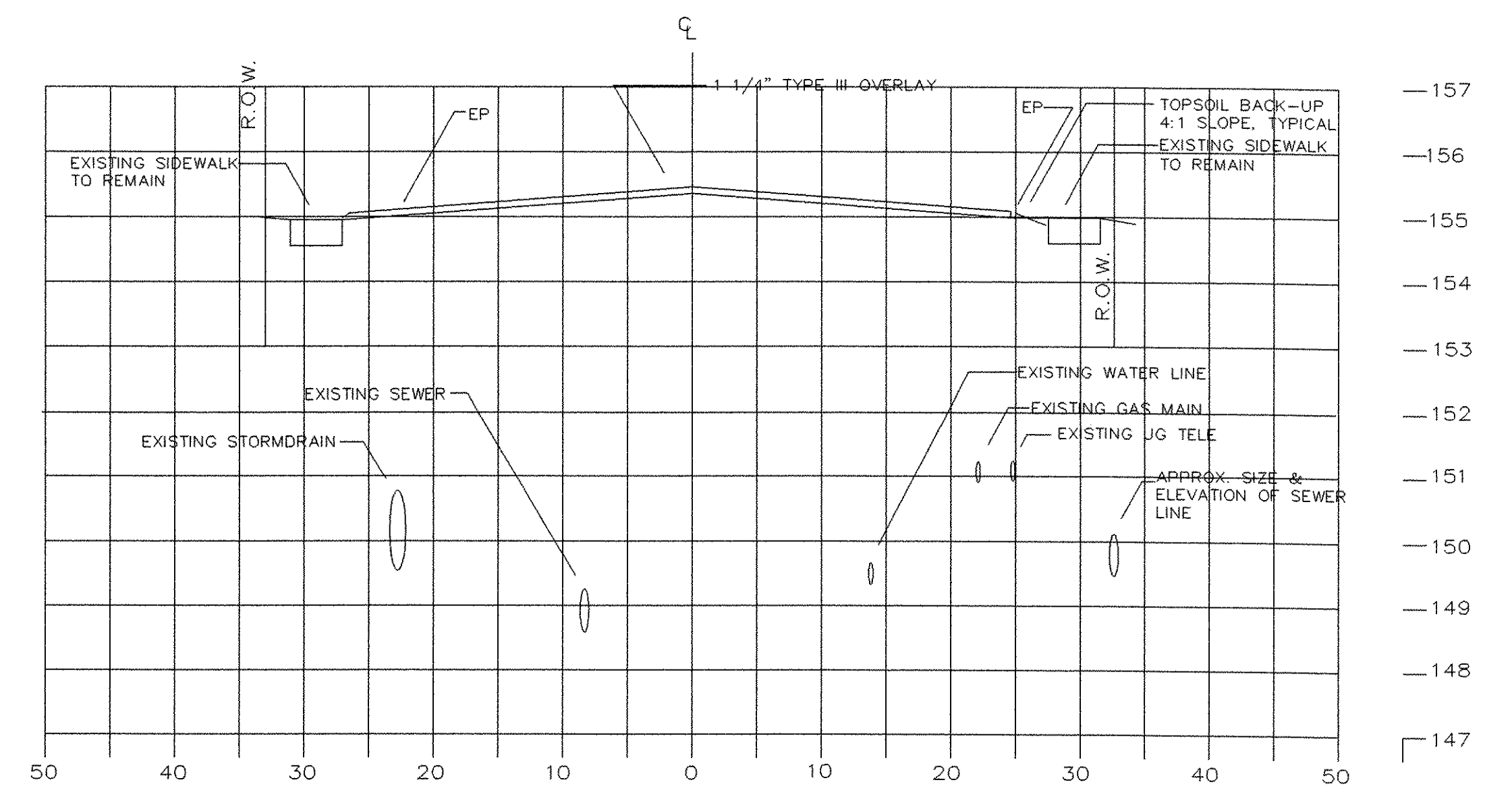


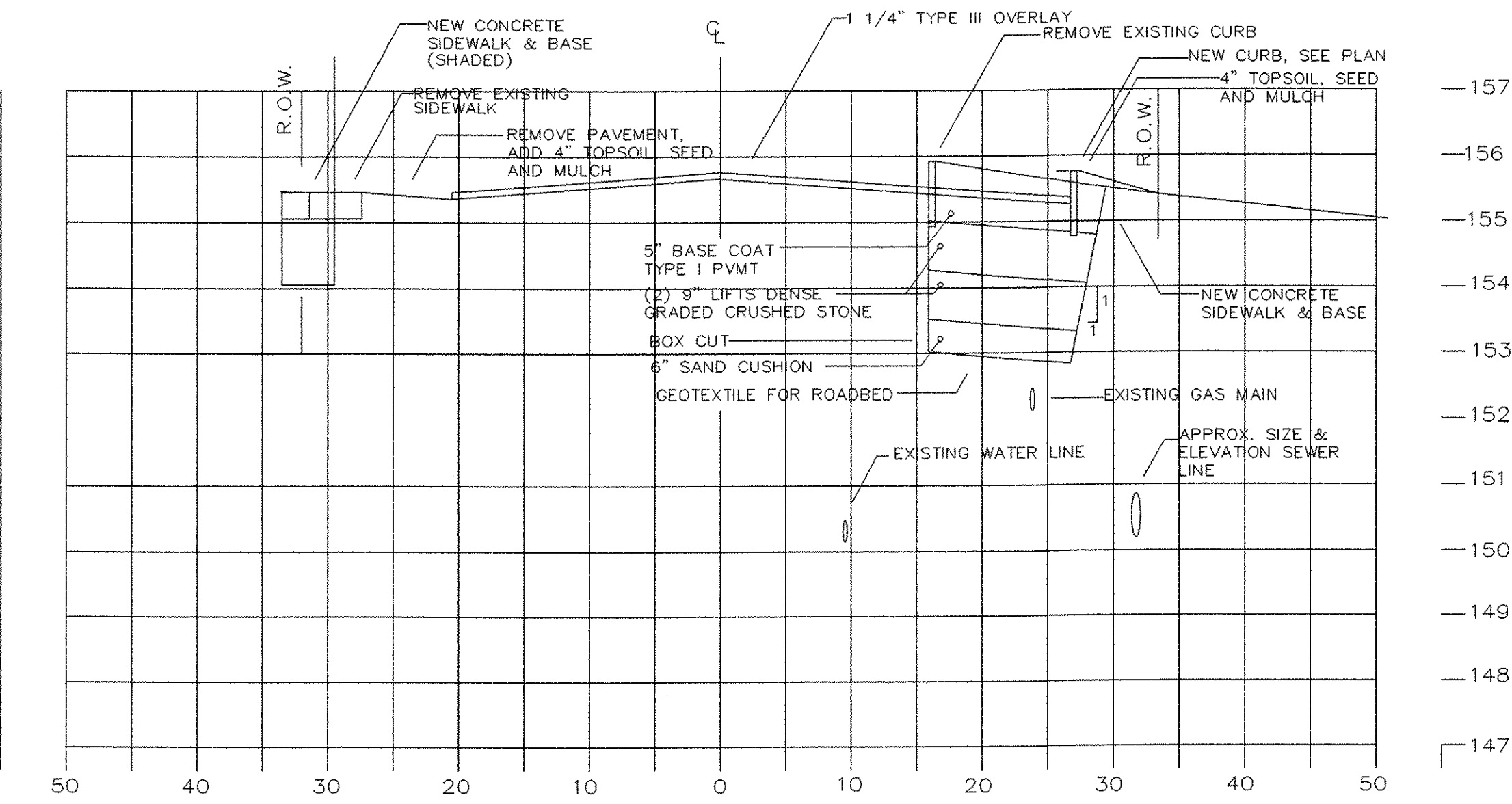
STATION 13+50C



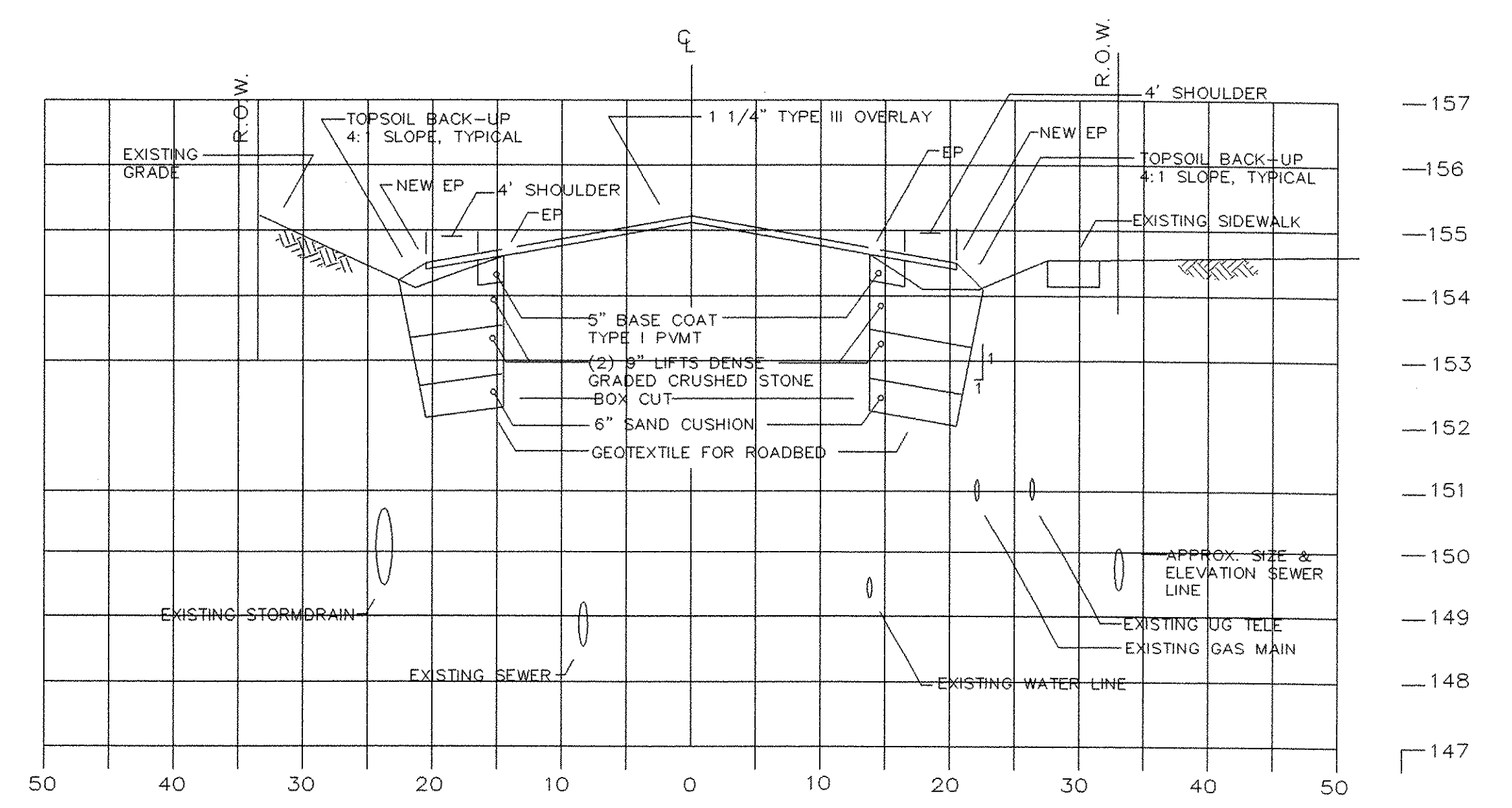
STATION 15+00C



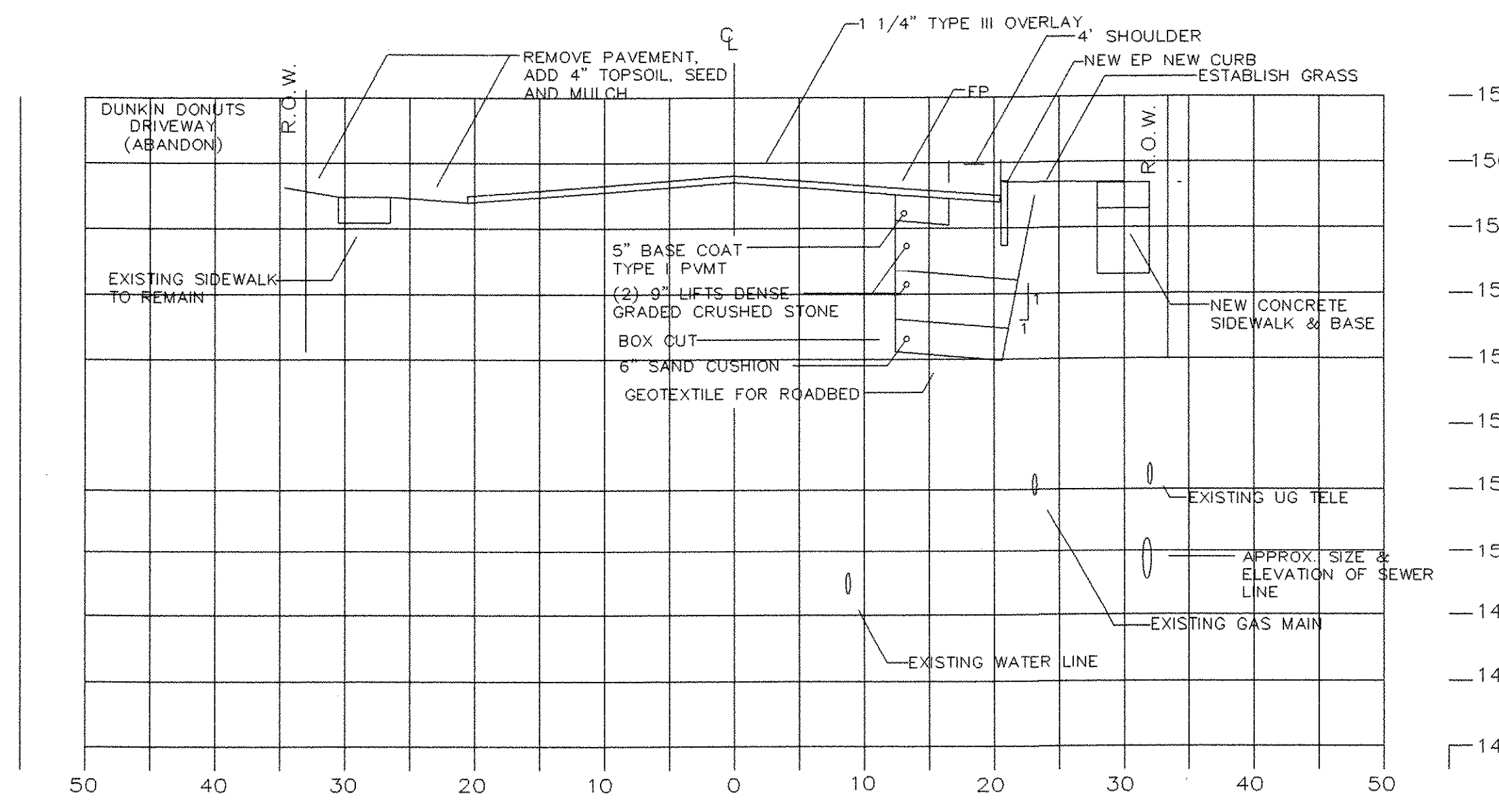
STATION 13+00C



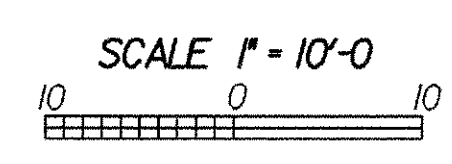
STATION 14+50C



STATION 12+50C



STATION 14+00C



VT.78 CROSS SECTION SHEET 12+50~15+00

| | |
|-----------------|--------------------------------------|
| PROJECT NAME: | SWANTON |
| PROJECT NUMBER: | STPG ST 036-1(11) |
| FILE NAME: | PMS /00b105/TRAFFIC DES./tbl50xs.dgn |
| PROJECT LEADER: | B. NYQUIST |
| DESIGNED BY: | TRAFFIC DESIGN |
| PLOT DATE: | 19-APR-2006 |
| DRAWN BY: | TRAFFIC DESIGN |
| CHECKED BY: | TRAFFIC DESIGN |
| | SHEET 43 OF 45 |