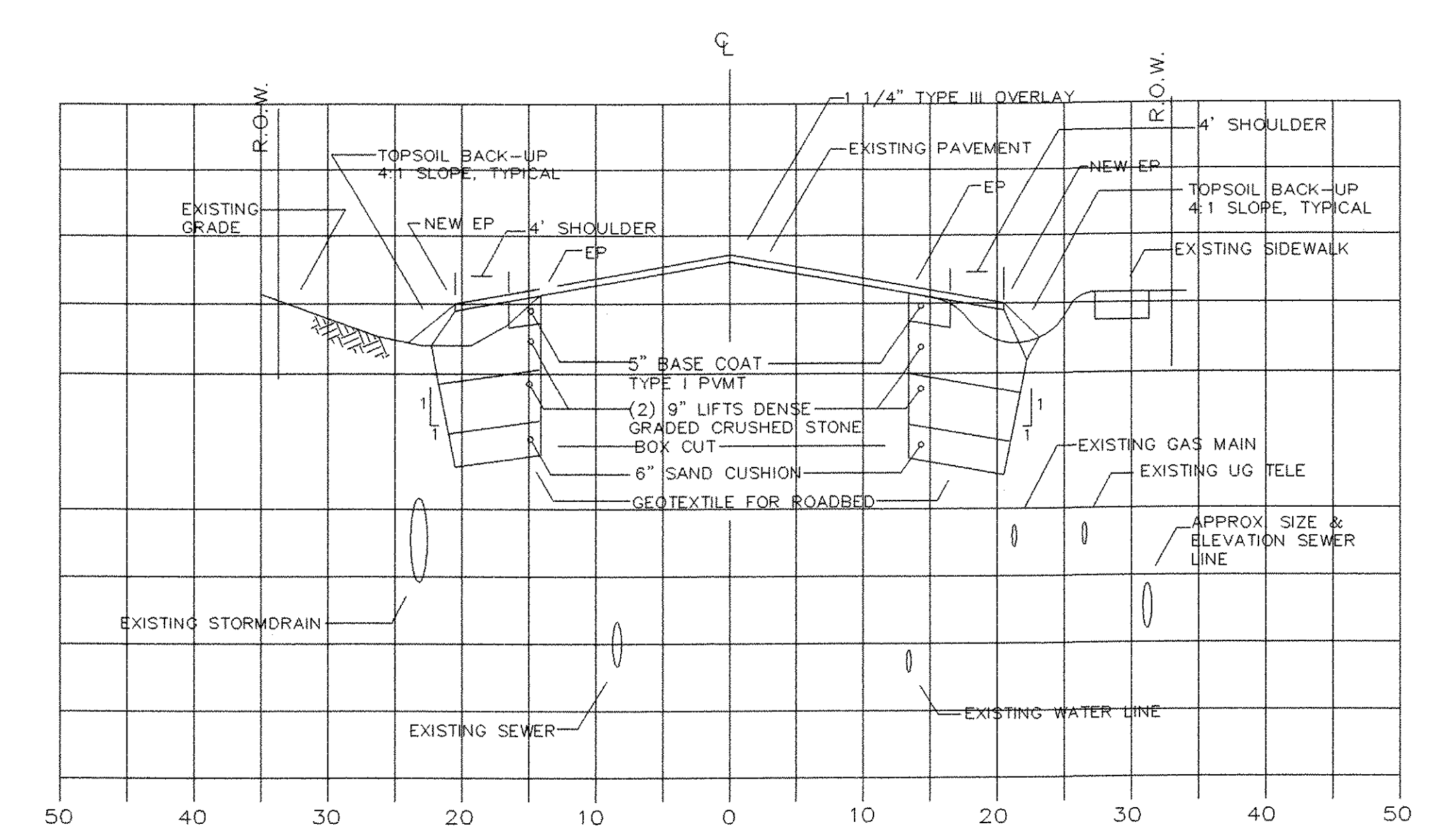
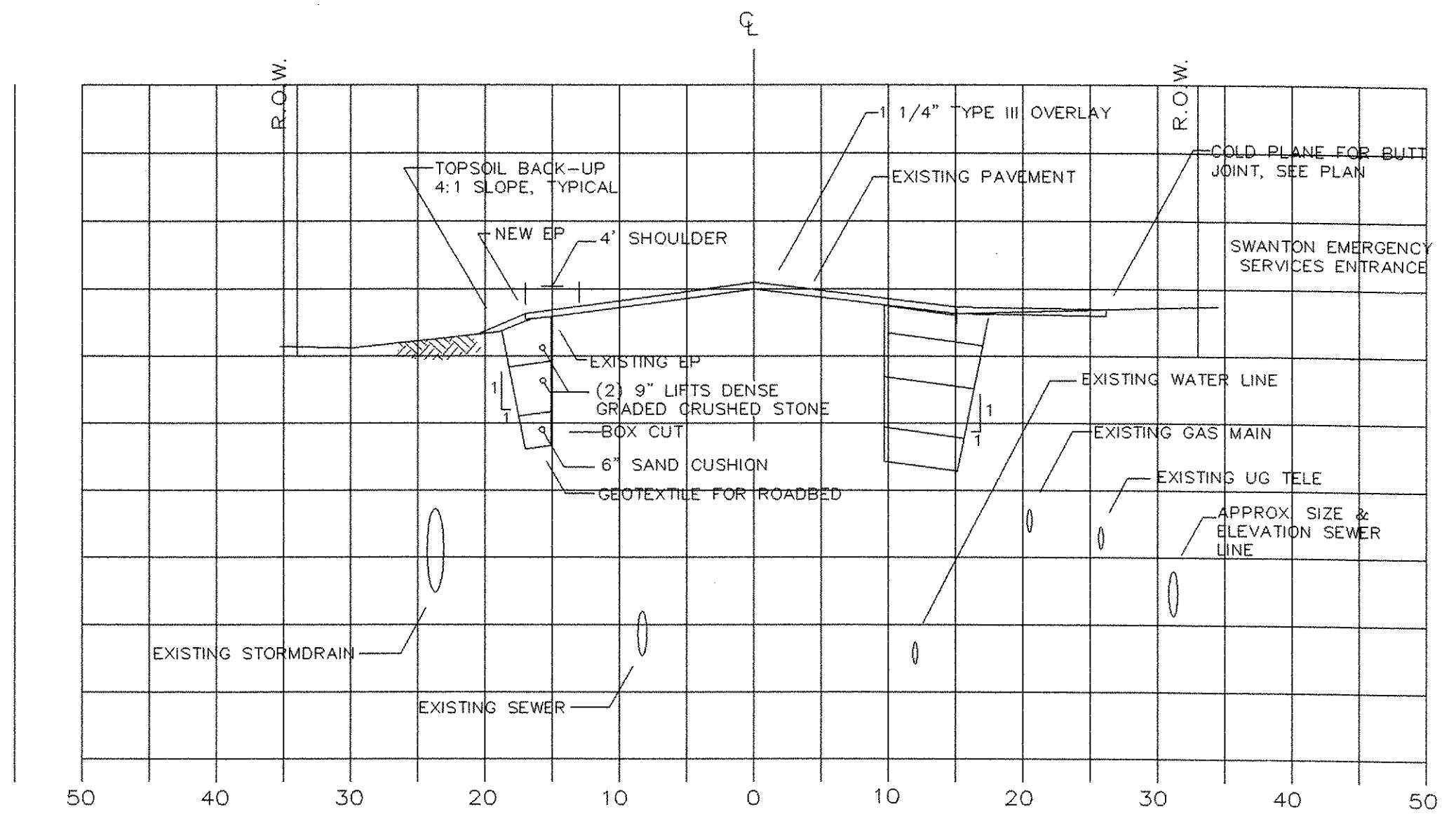


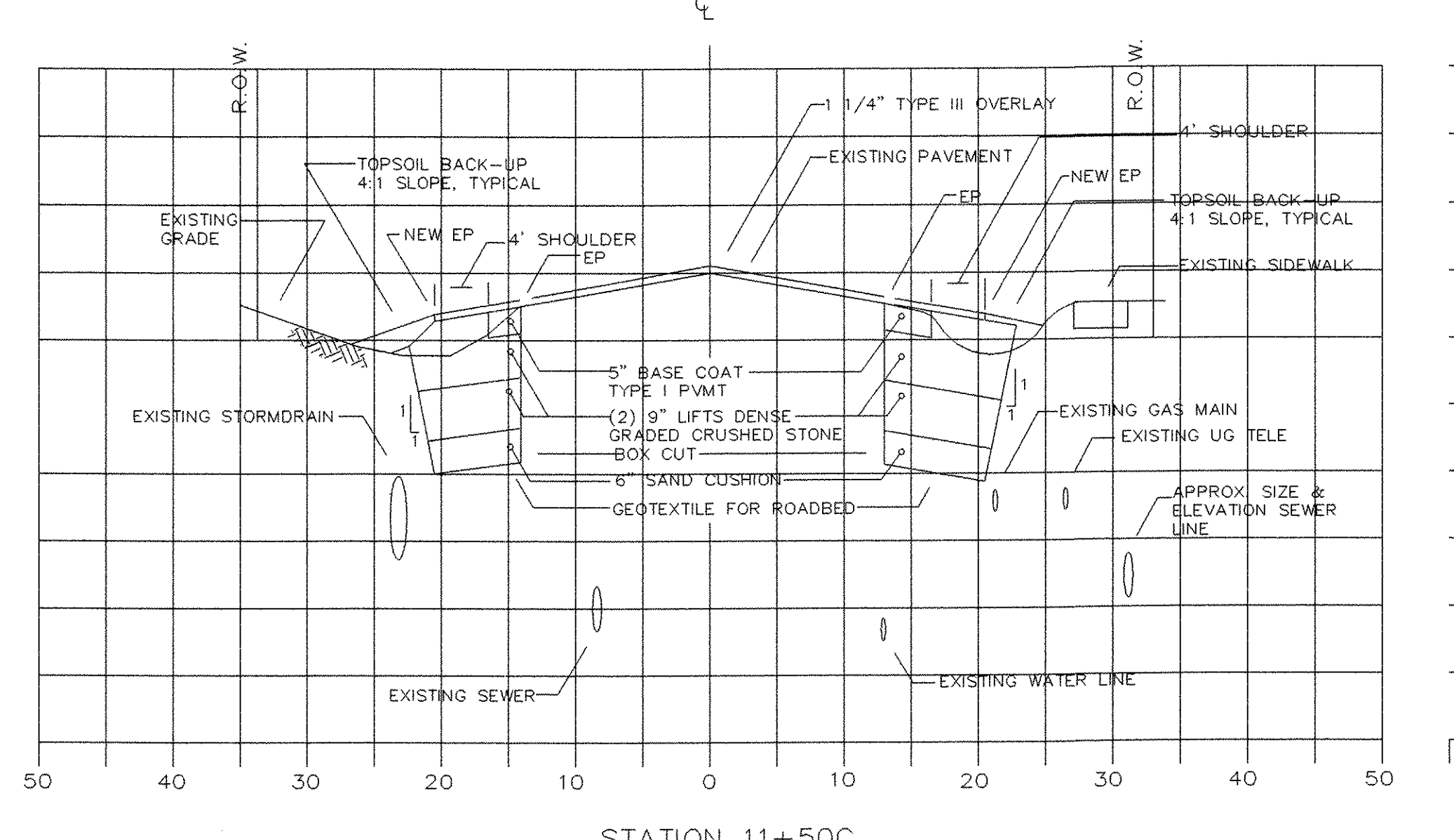
STATION 10+50C



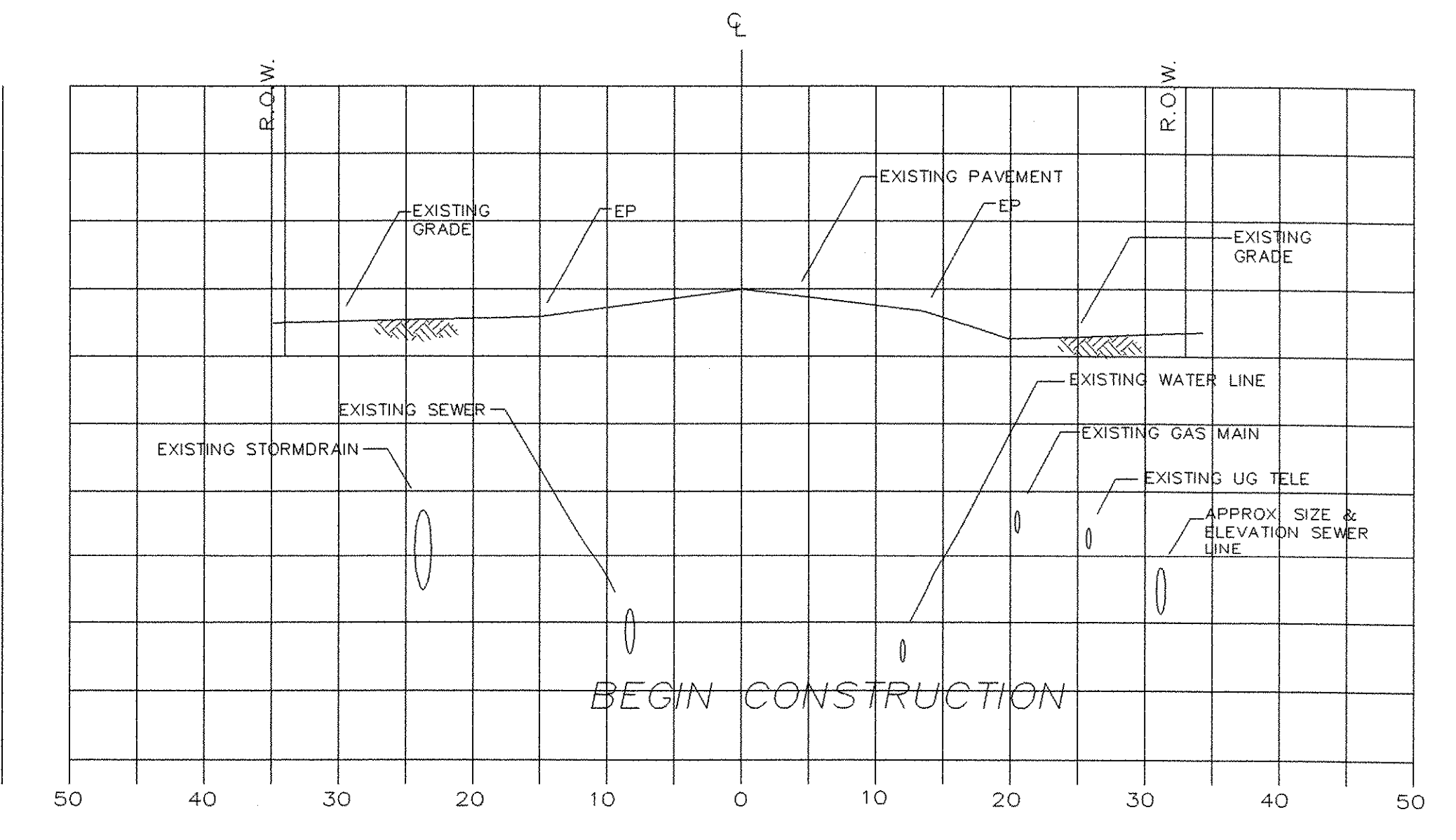
STATION 12+00C



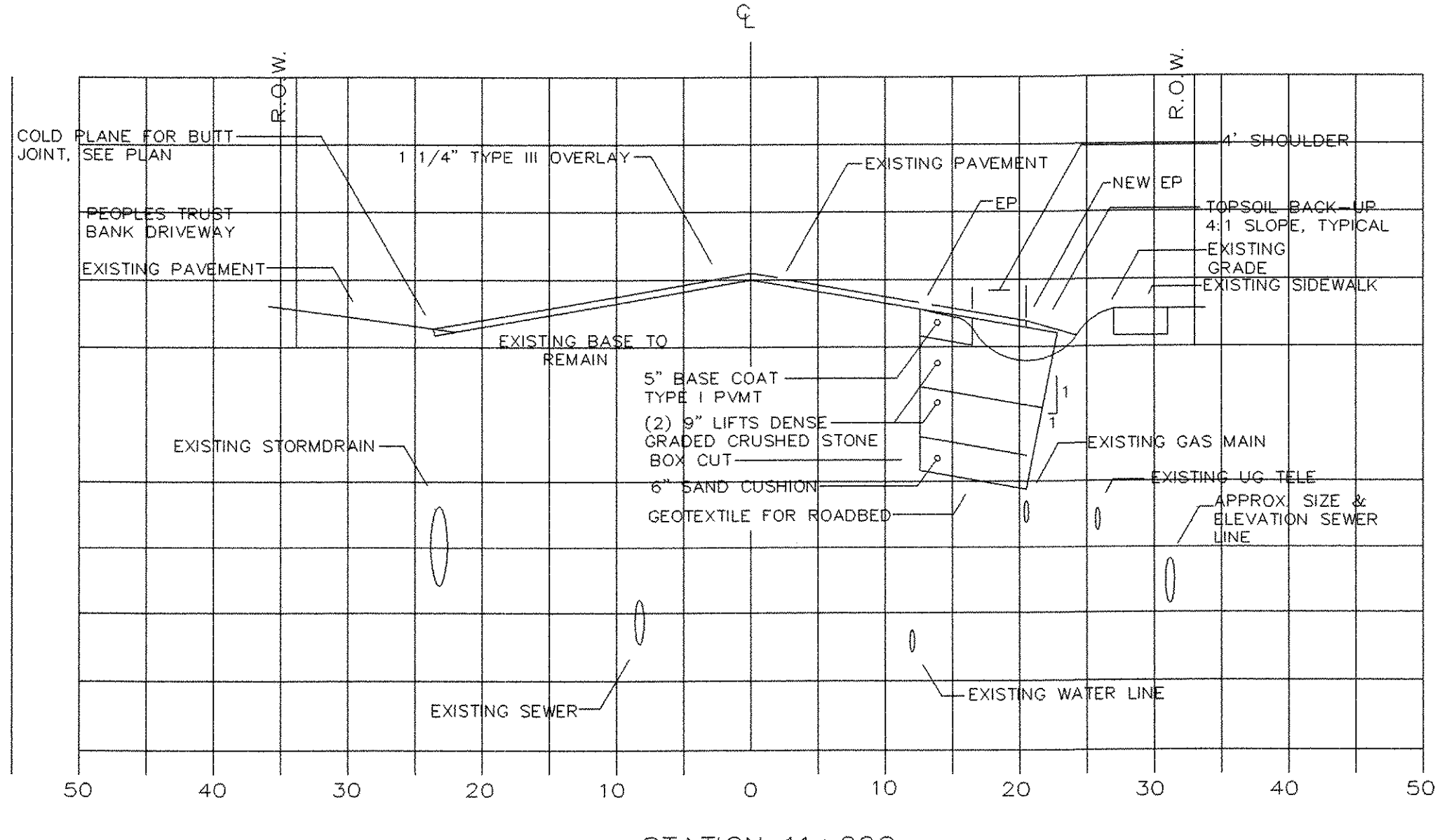
STATION 10+00C



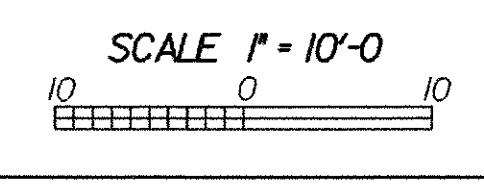
STATION 11+50C



STATION 9+65C



STATION 11+00C



VT.78 CROSS SECTION SHEET 9+65~12+00

PROJECT NAME:	SWANTON	FILE NAME:	FMS /00b105/TRAFFIC DES./tbl50xs.dgn	PLOT DATE:	19-APR-2006
PROJECT NUMBER:	STPG ST 036-1(11)	PROJECT LEADER:	B. NYQUIST	DRAWN BY:	TRAFFIC DESIGN
		DESIGNED BY:	TRAFFIC DESIGN	CHECKED BY:	TRAFFIC DESIGN
			tbl50xs.t		SHEET 42 OF 45