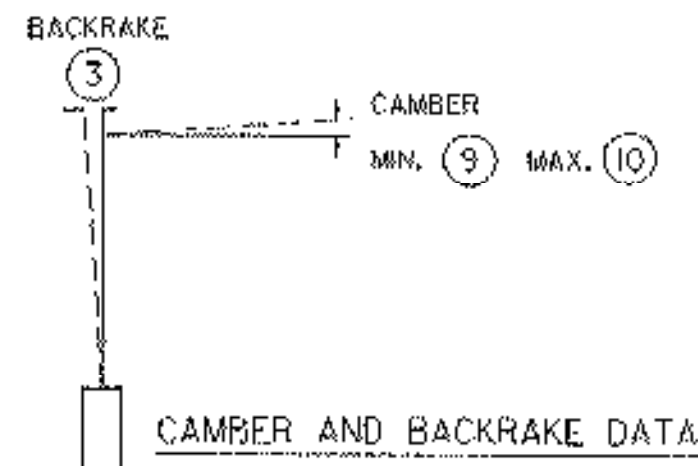
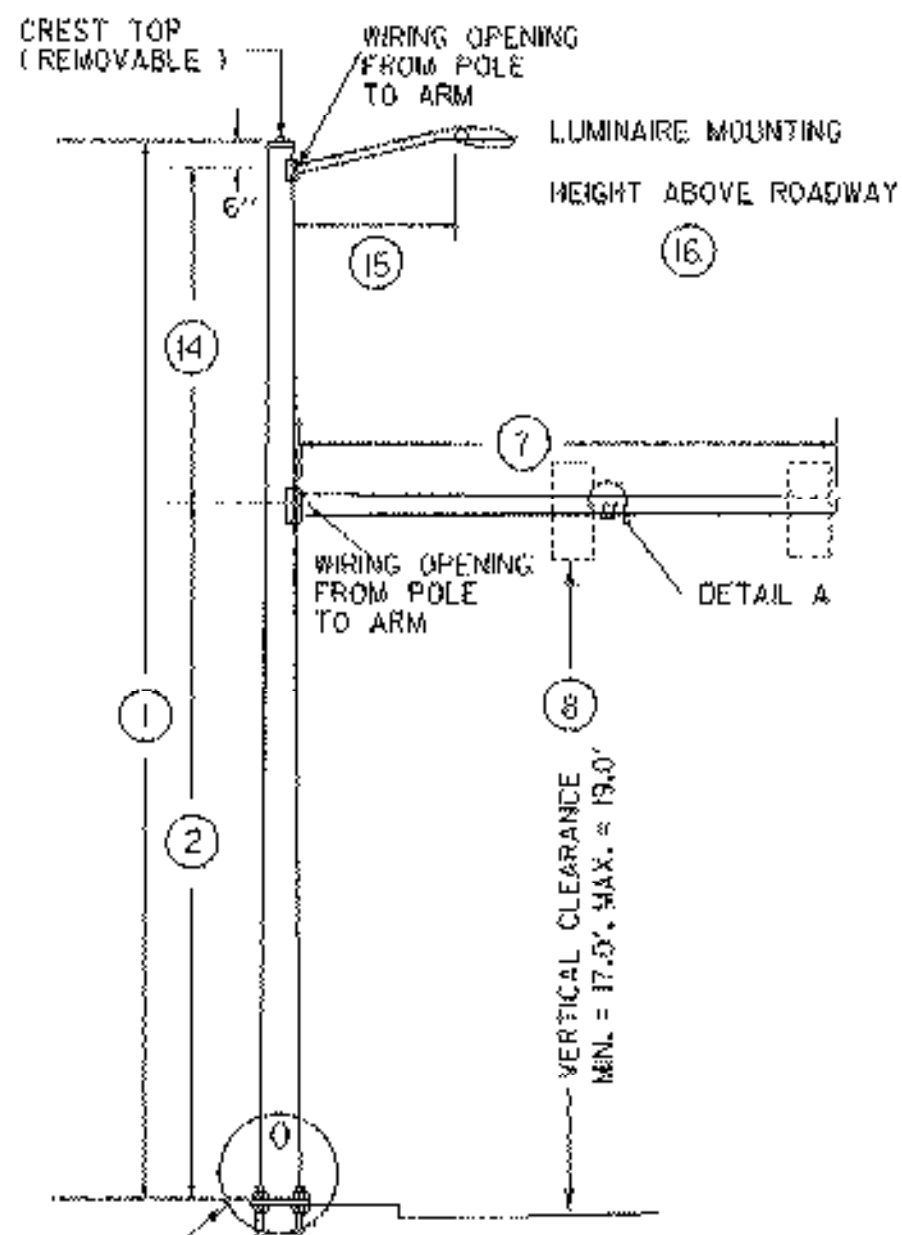


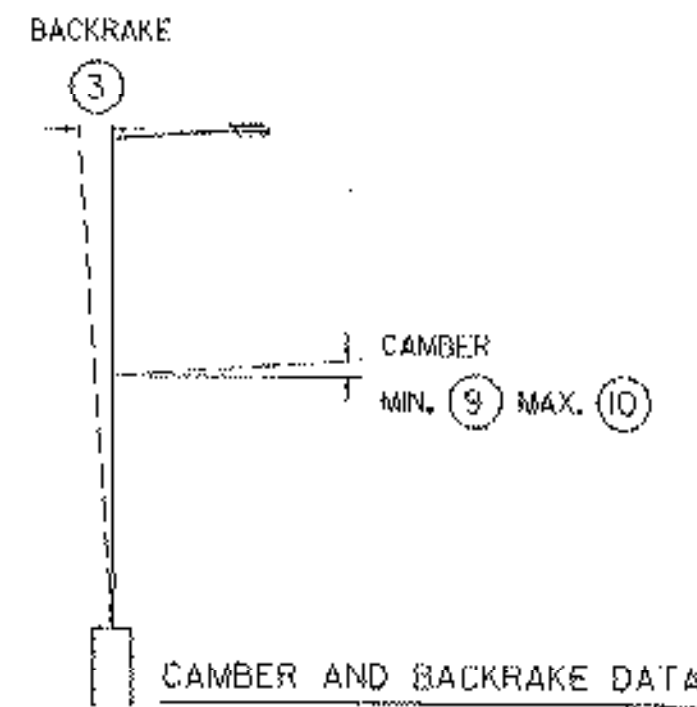
SEE POLE BASE AND BASE PLATE DETAIL
TYPE A



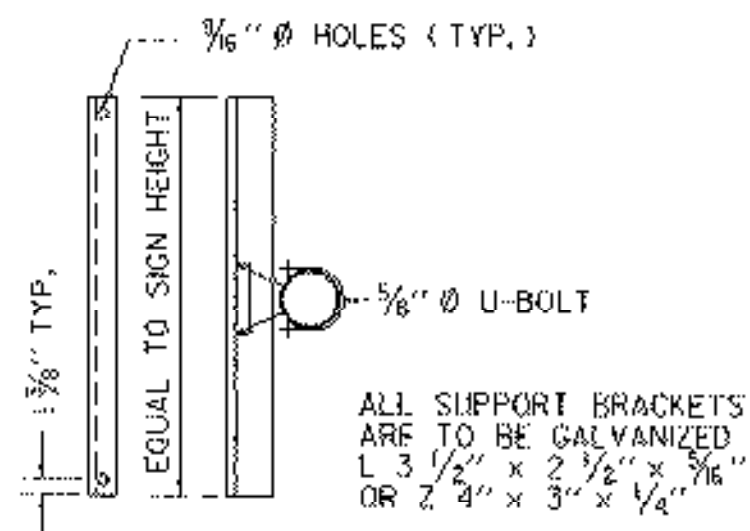
- POLE BASE DIAMETER (4)
- POLE GAUGE (5)
- POLE TAPER RATE (6)
- ARM DIAMETER (11)
- ARM GAUGE (12)
- ARM TAPER RATE (13)



SEE POLE BASE AND BASE PLATE DETAIL
TYPE B

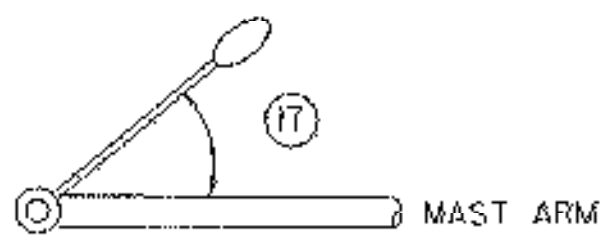


DETAIL A

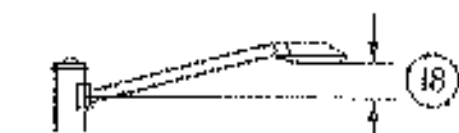


SIGN ON SINGLE MAST ARM

SIGN BRACKET DETAILS

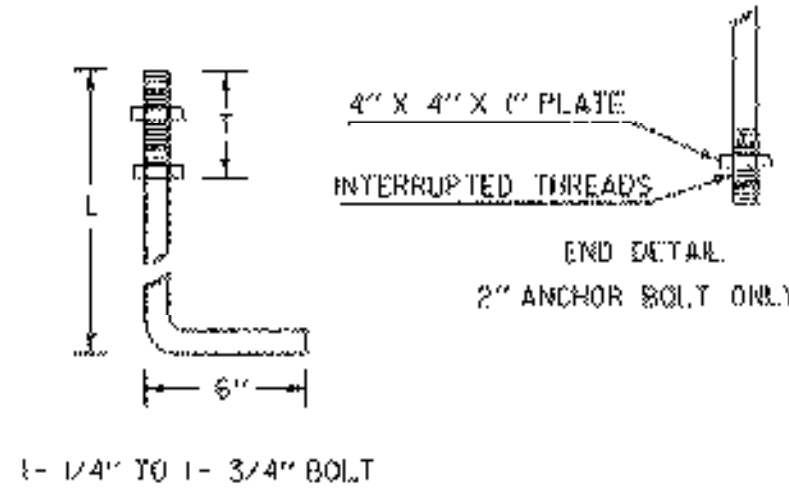


LUMINAIRE ORIENTATION

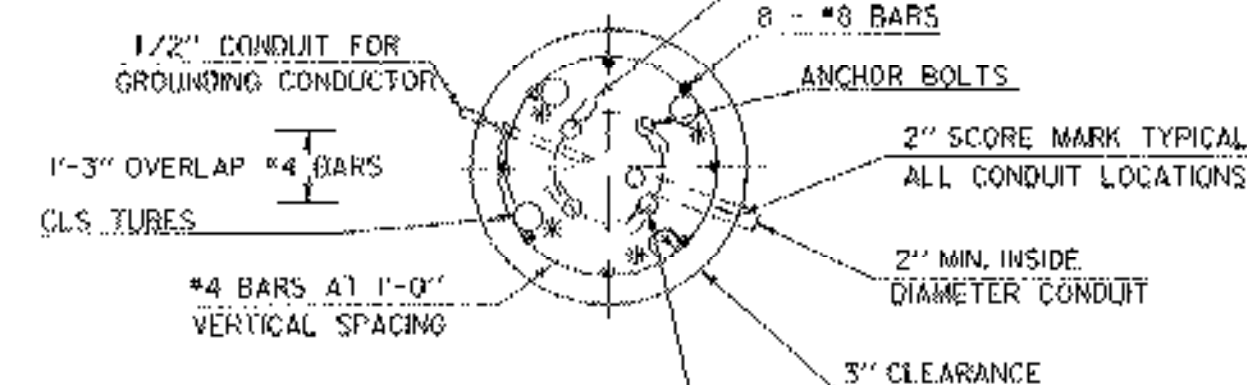


LUMINAIRE ARM RISE

ANCHOR BOLT DETAIL		
SIZE	L (IN)	T (IN)
1- 1/4" X 48"	42	8
1- 1/2" X 60"	54	9
1- 3/4" X 90"	84	9
2" X 96"	96	9



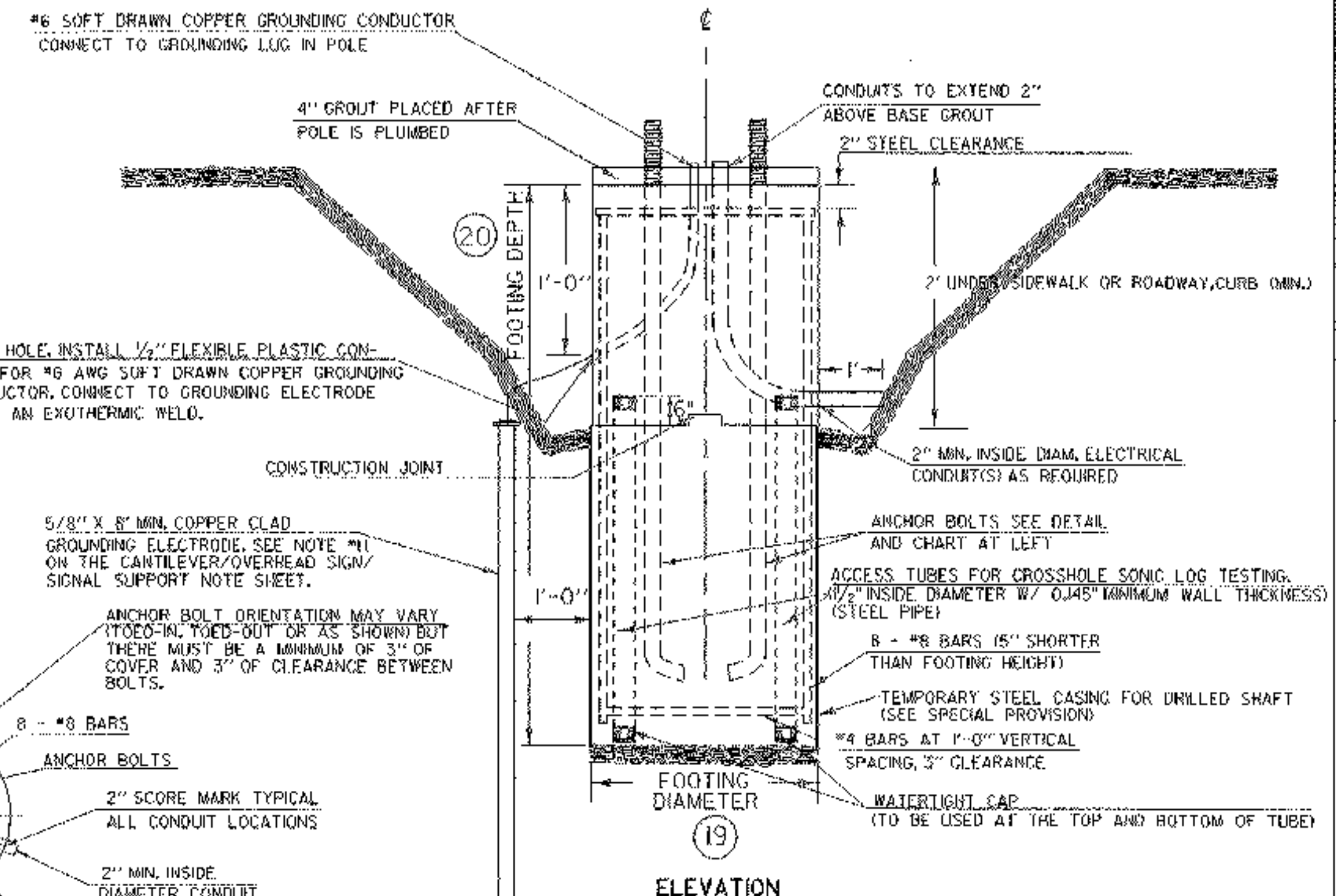
ANCHOR BOLT DETAIL



SECTION

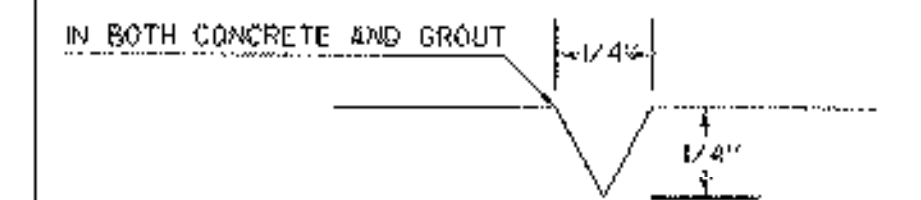
CANTILEVER FOOTING DETAIL

(SPREAD FOOTINGS OR PILES ARE OPTIONAL)



ELEVATION

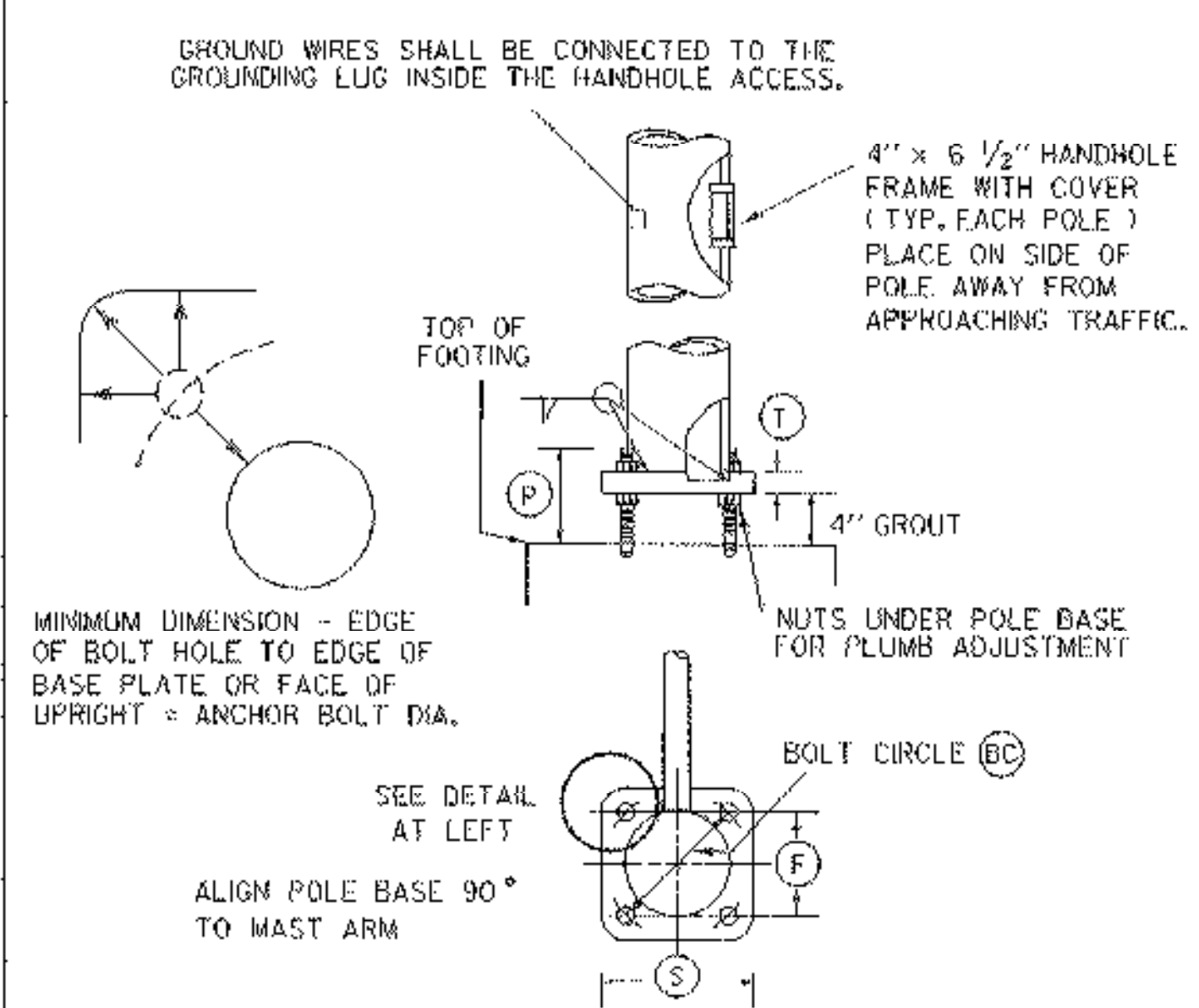
* ACCESS TUBES FOR CROSSHOLE SONIC LOG TESTING. SEE SECTION 92.03 (F), (G), (H), (I) (SPECIAL PROVISIONS) SEE SECTION 92.09 (F), (G) TO BE USED IF DRILLED SHAFTS ARE UTILIZED.



USED FOR CONDUIT LOCATION, SEE SECTION DETAIL AT LEFT

2" SCORE MARK DETAIL

NOT TO SCALE



POLE BASE AND BASE PLATE DETAIL

STRUCTURE DIMENSIONS																												
POLE	TYPE	POLE DATA						ARM DATA						LIGHTING DATA						BASE PLATE / BOLT DATA								
		1	2	3	4	5	6	7	8	9	10	11	12	13	14	15	16	17	18	19	20	BC	F	S	T	P	ANCHOR BOLT SIZE	
1	B																											
2	B																											
3	B																											
4	B																											

SINGLE MAST ARM CANTILEVER / FOOTING DETAIL SHEET

Drilled Shafts Not Done
See Sheet 20a

TRAFFIC SHEET	
PROJECT NAME: SWANTON	PROJECT NUMBER: STPG ST 036-111
FILE NAME: PW/00H50/traff/tb50stana.dgn	PLOT DATE: 19-APR-2006
PROJECT LEADER: B. NYQUIST	DRAWN BY: TRAFFIC DESIGN
DESIGNED BY: TRAFFIC DESIGN	CHECKED BY: TRAFFIC DESIGN
701501q54.1	SHEET 20 OF 45