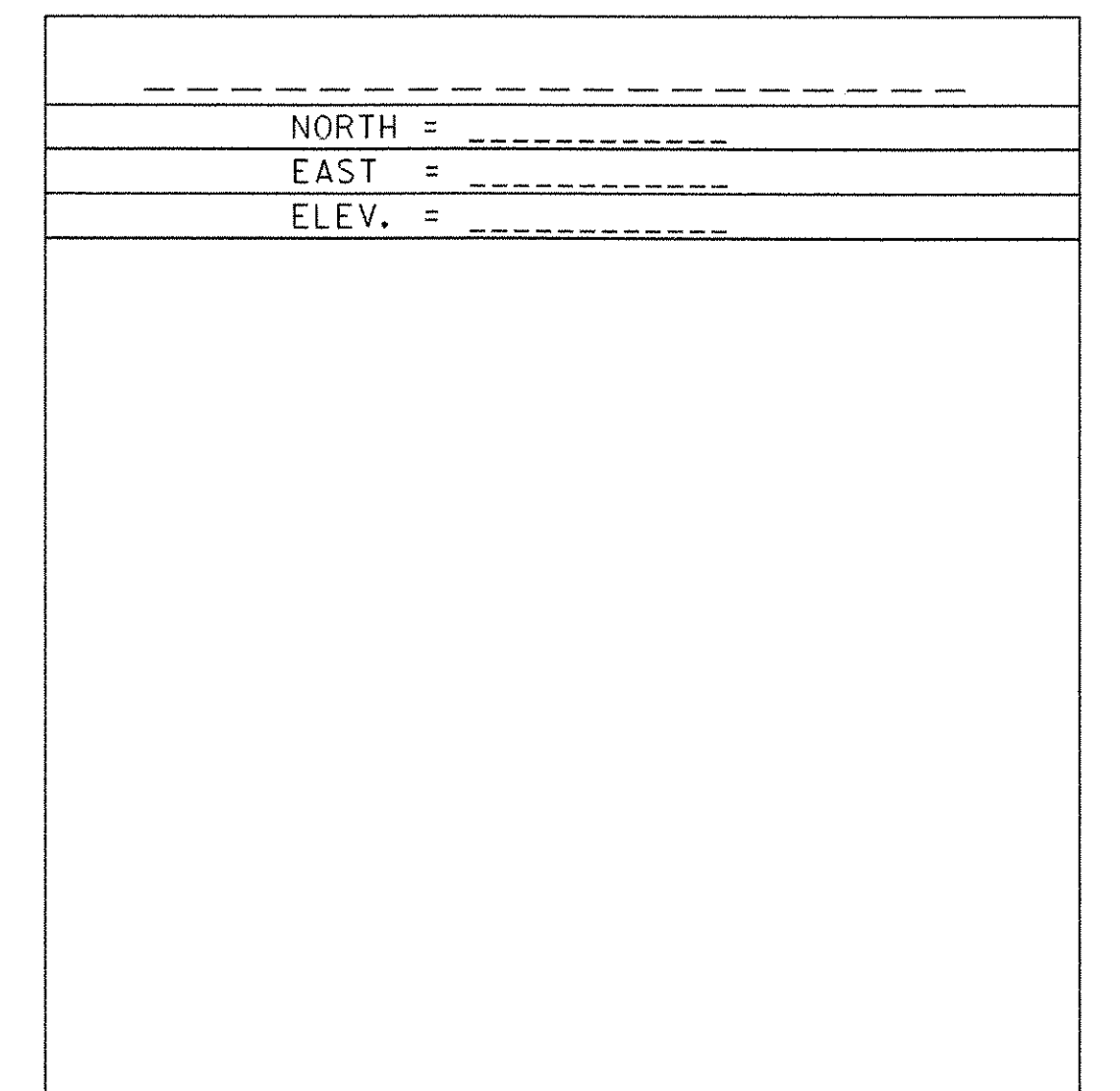
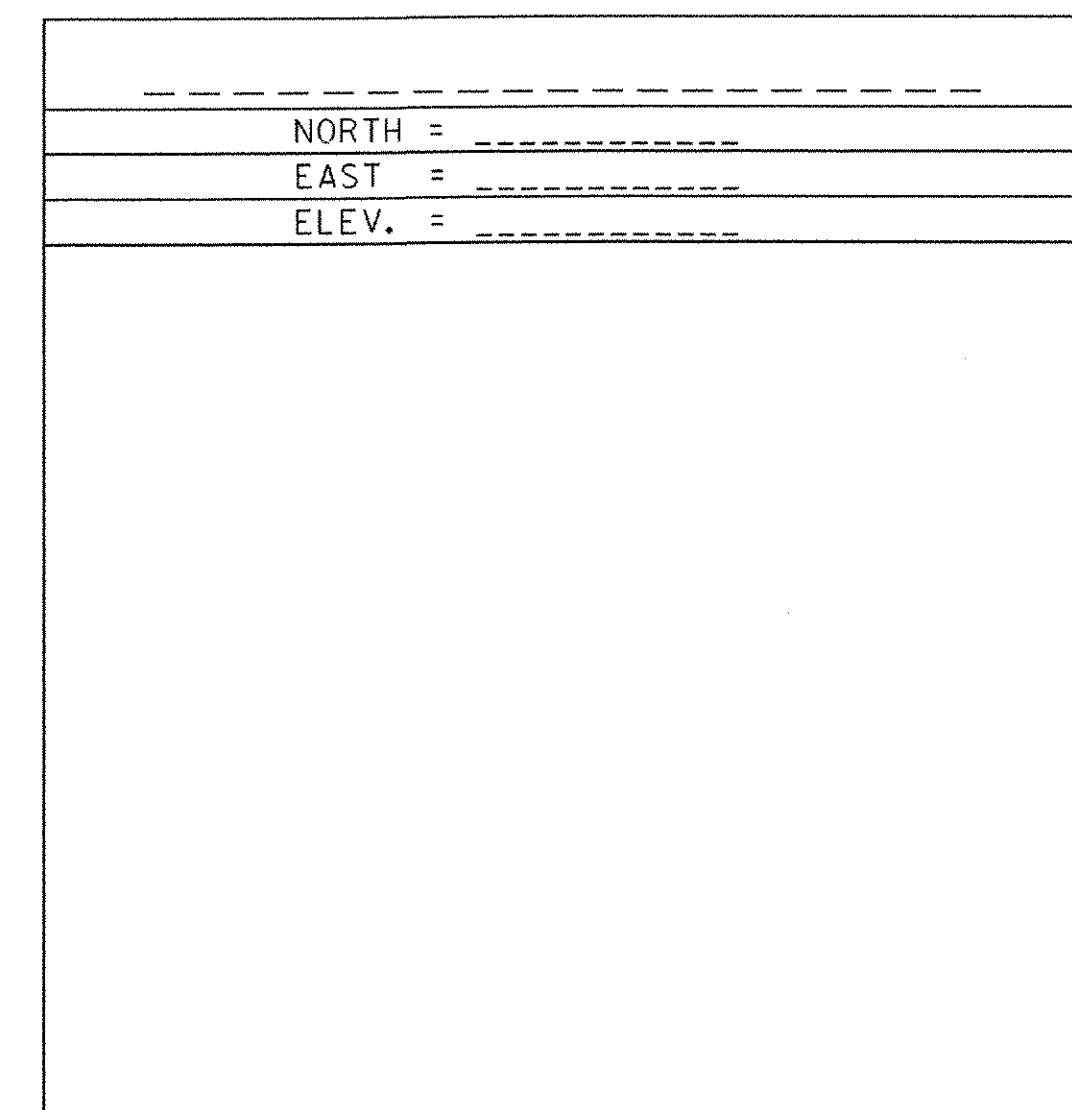
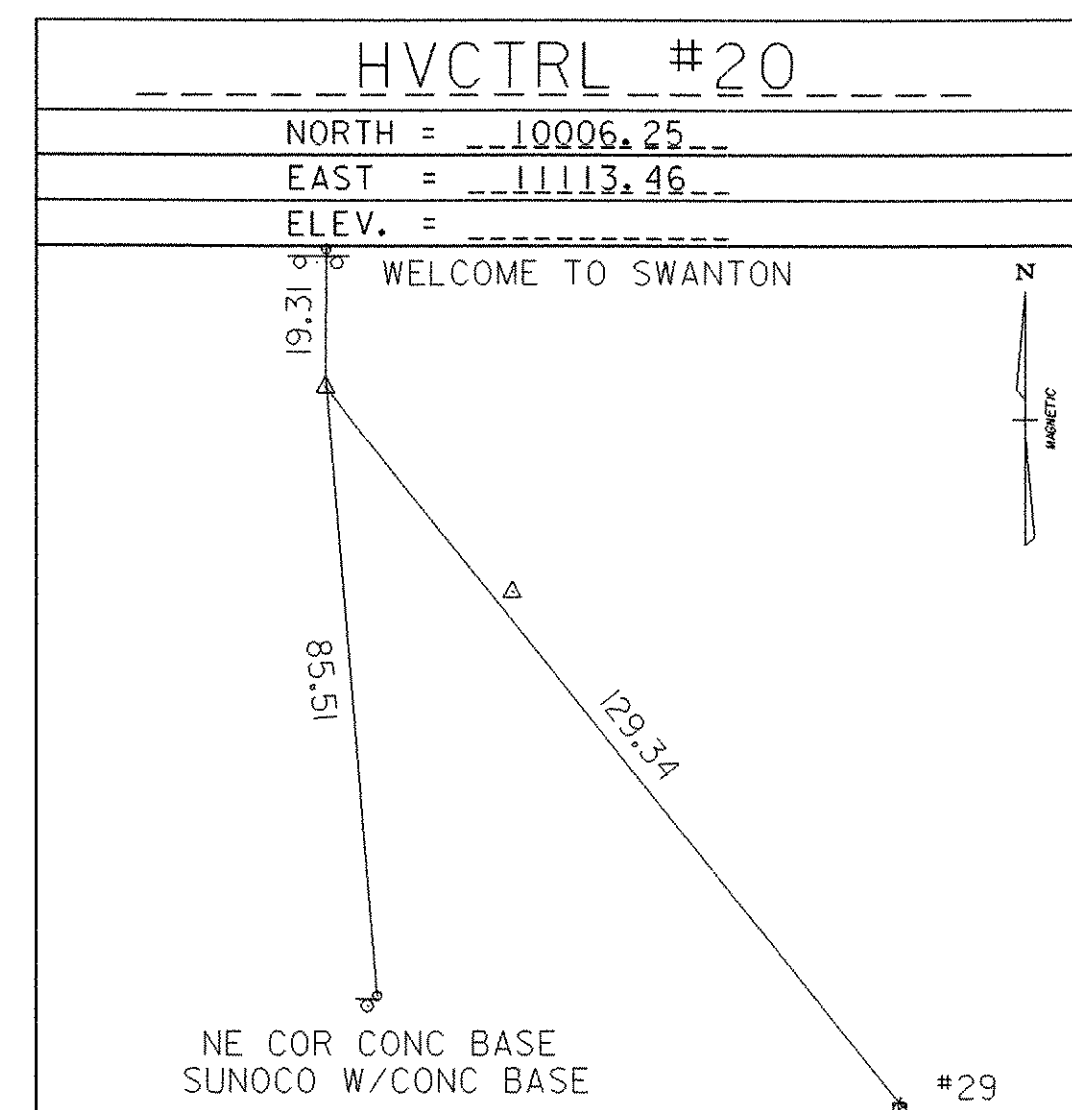
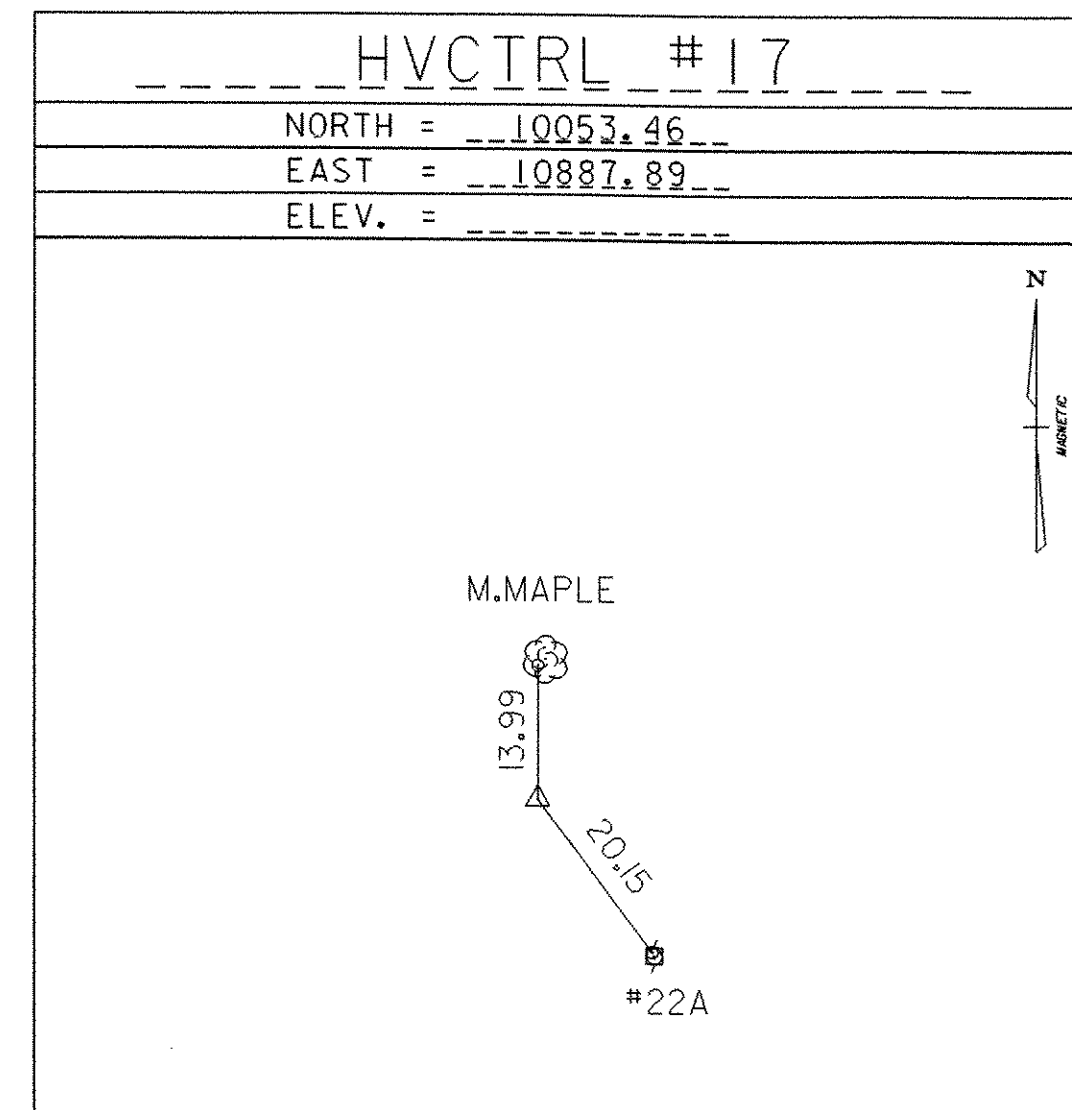
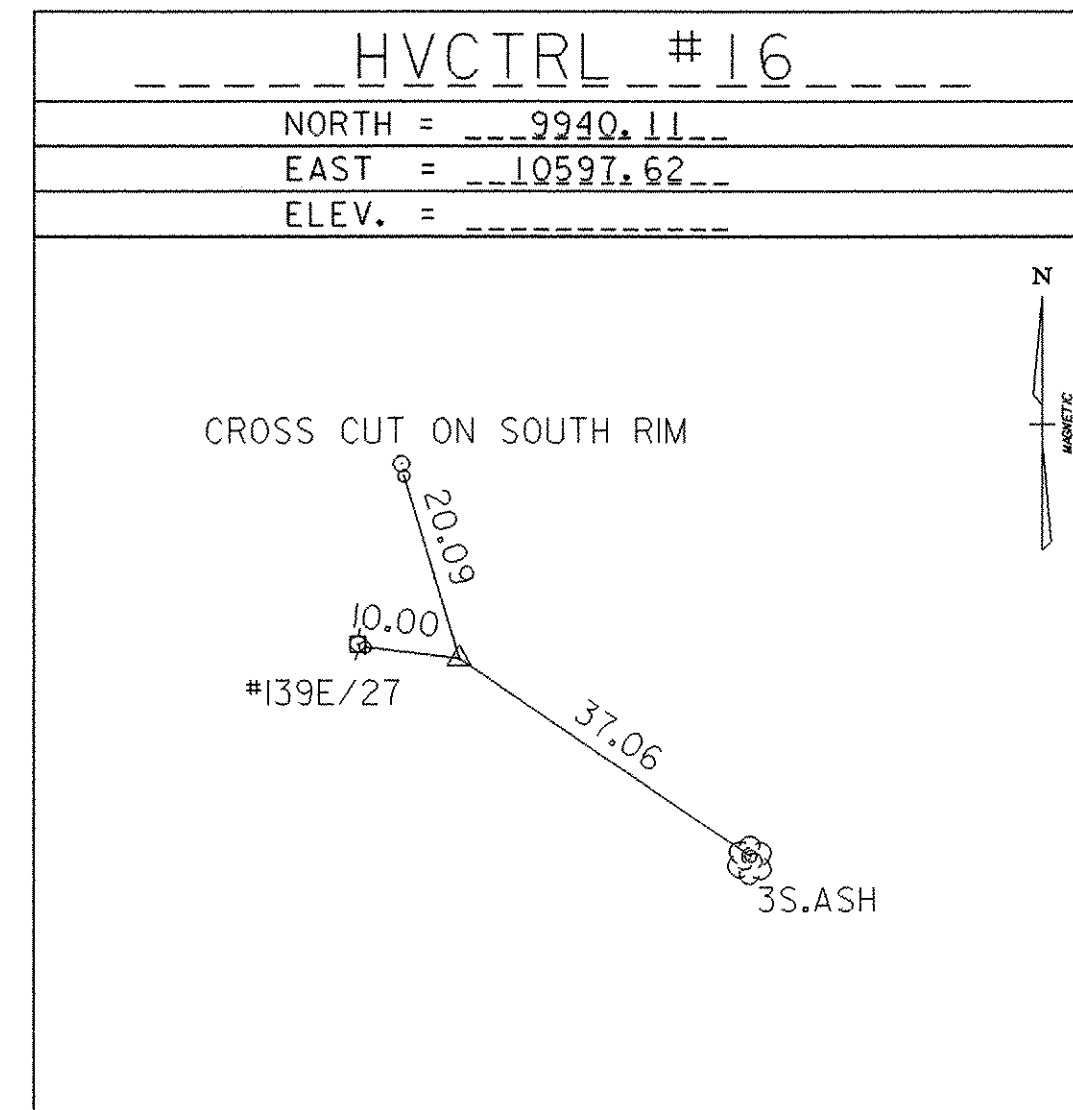


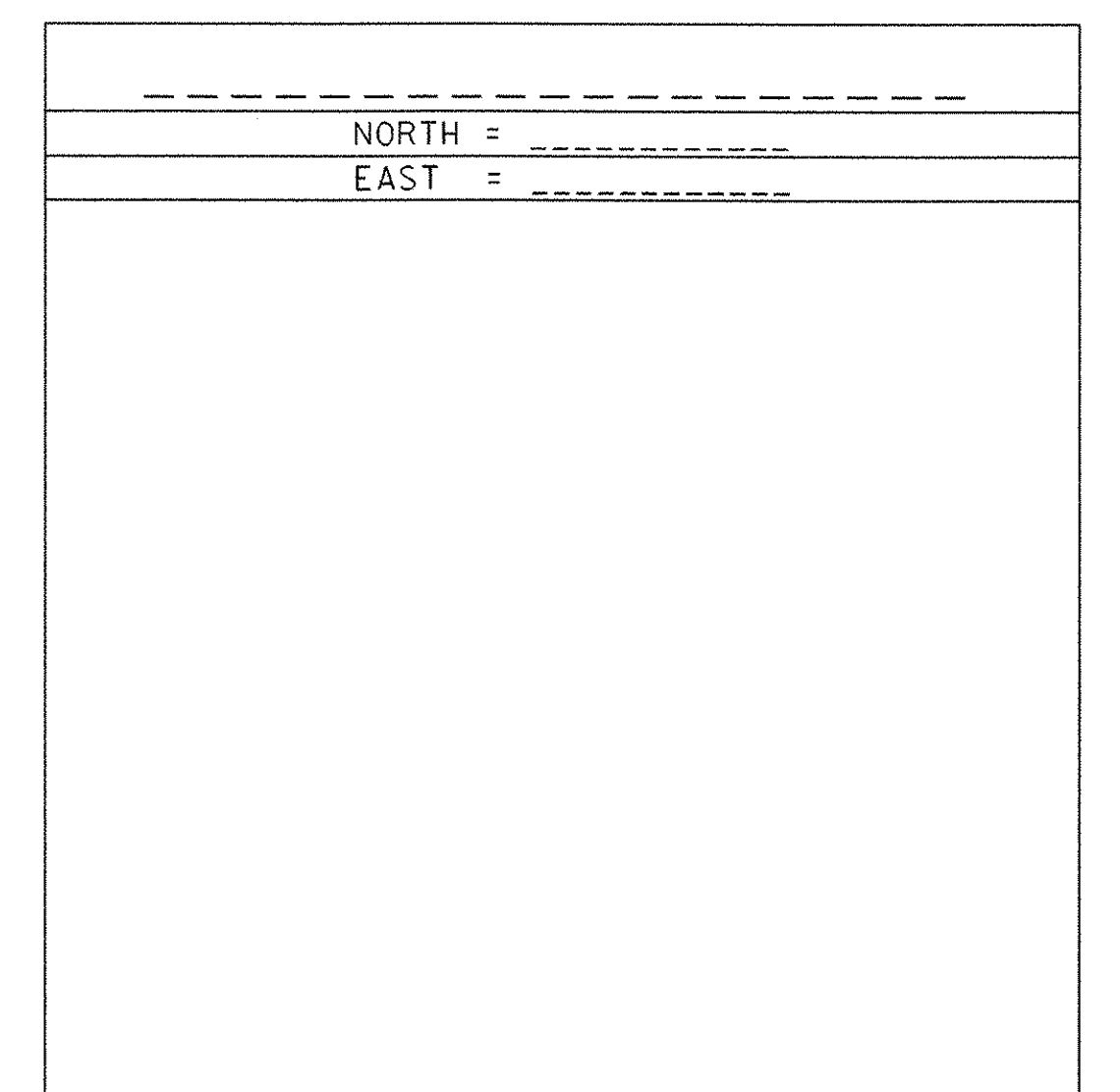
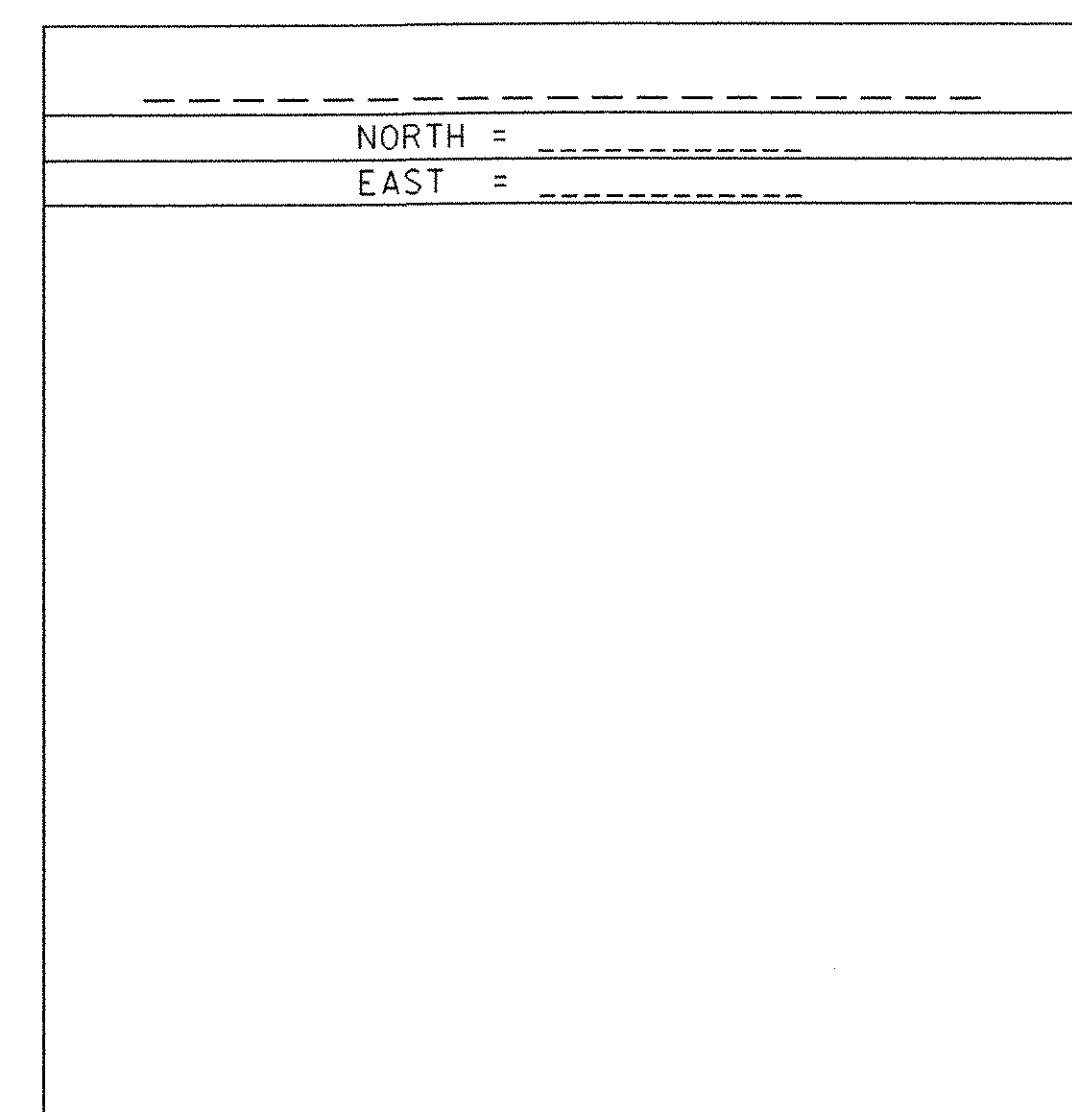
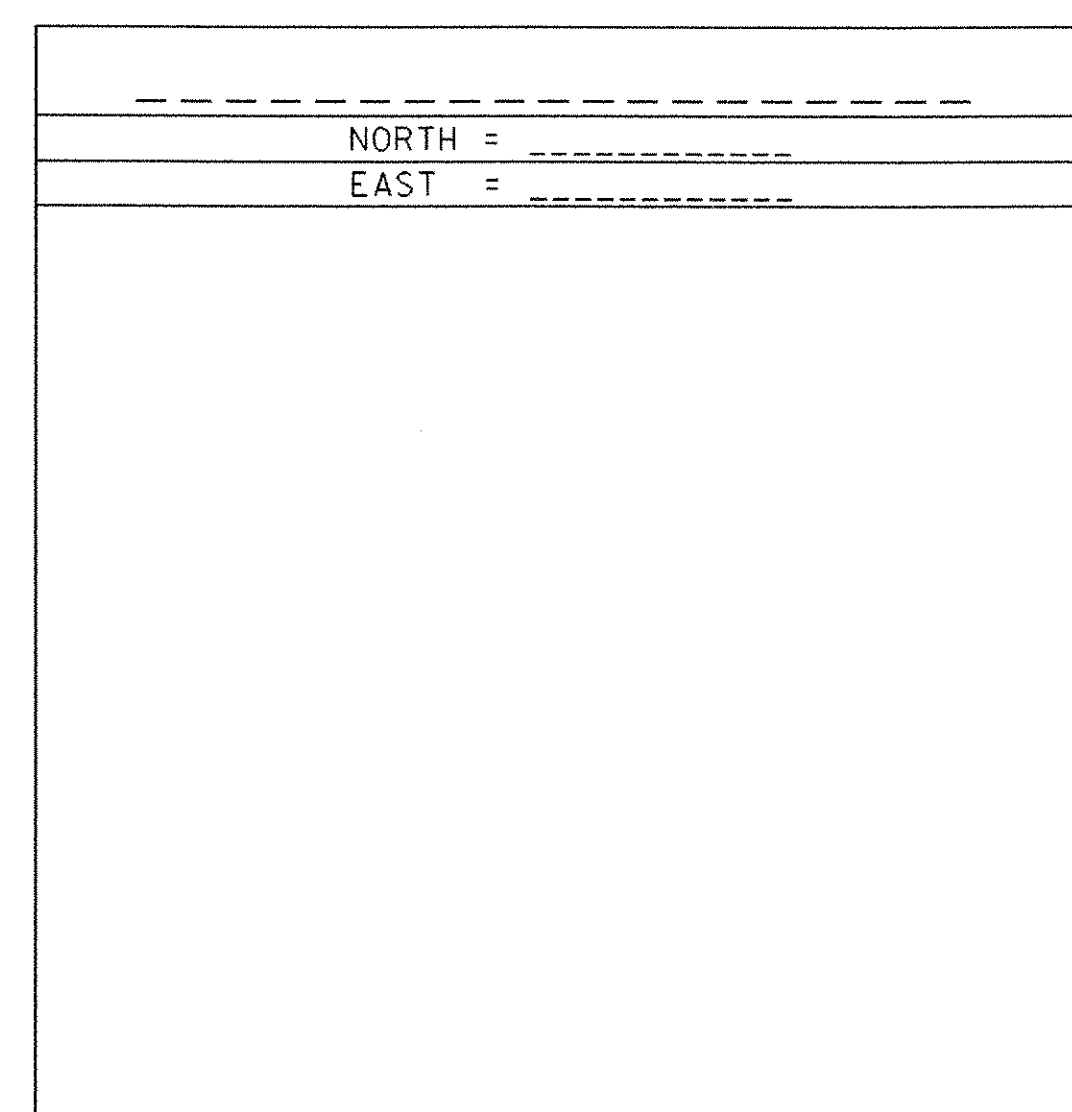
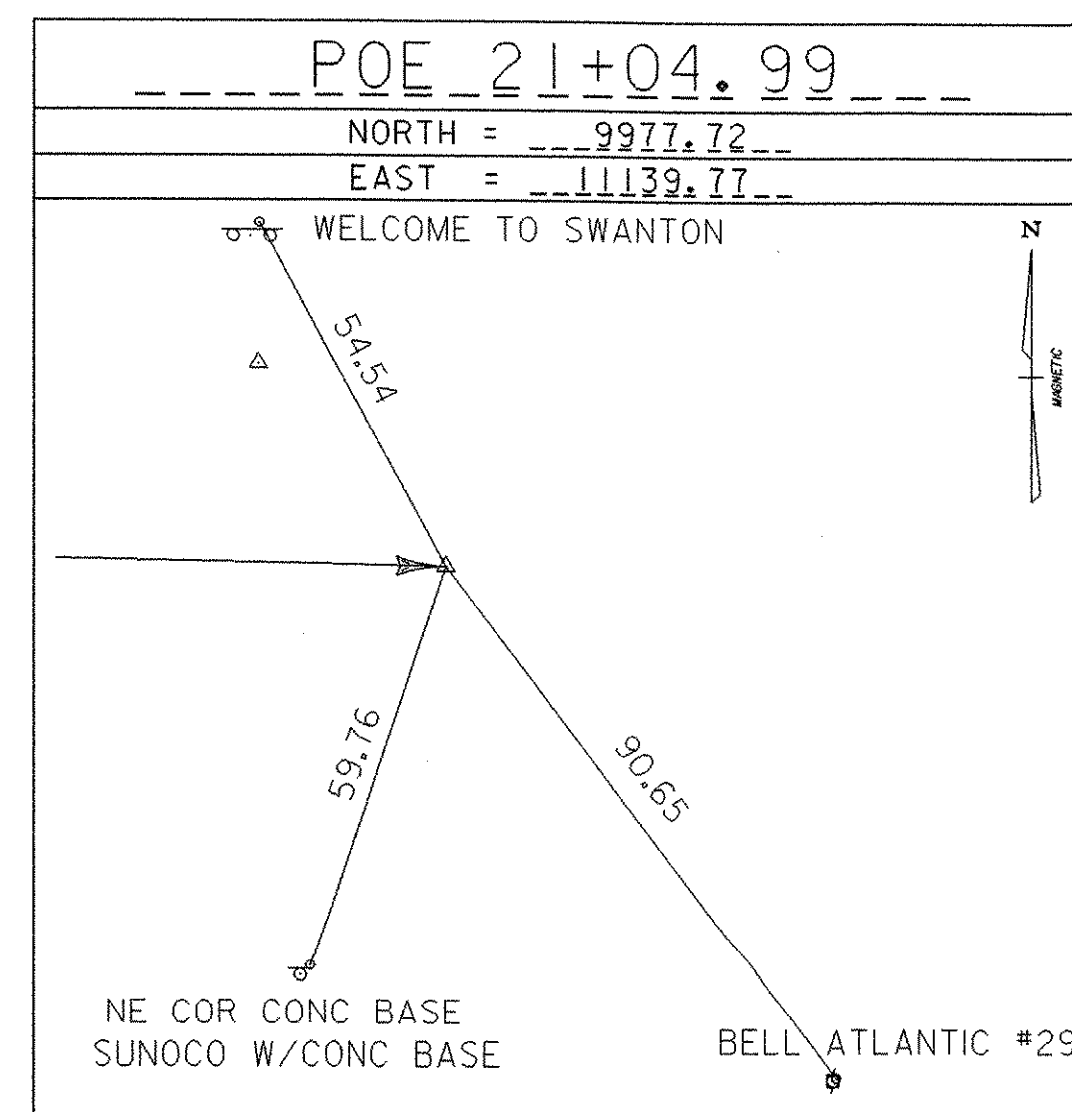
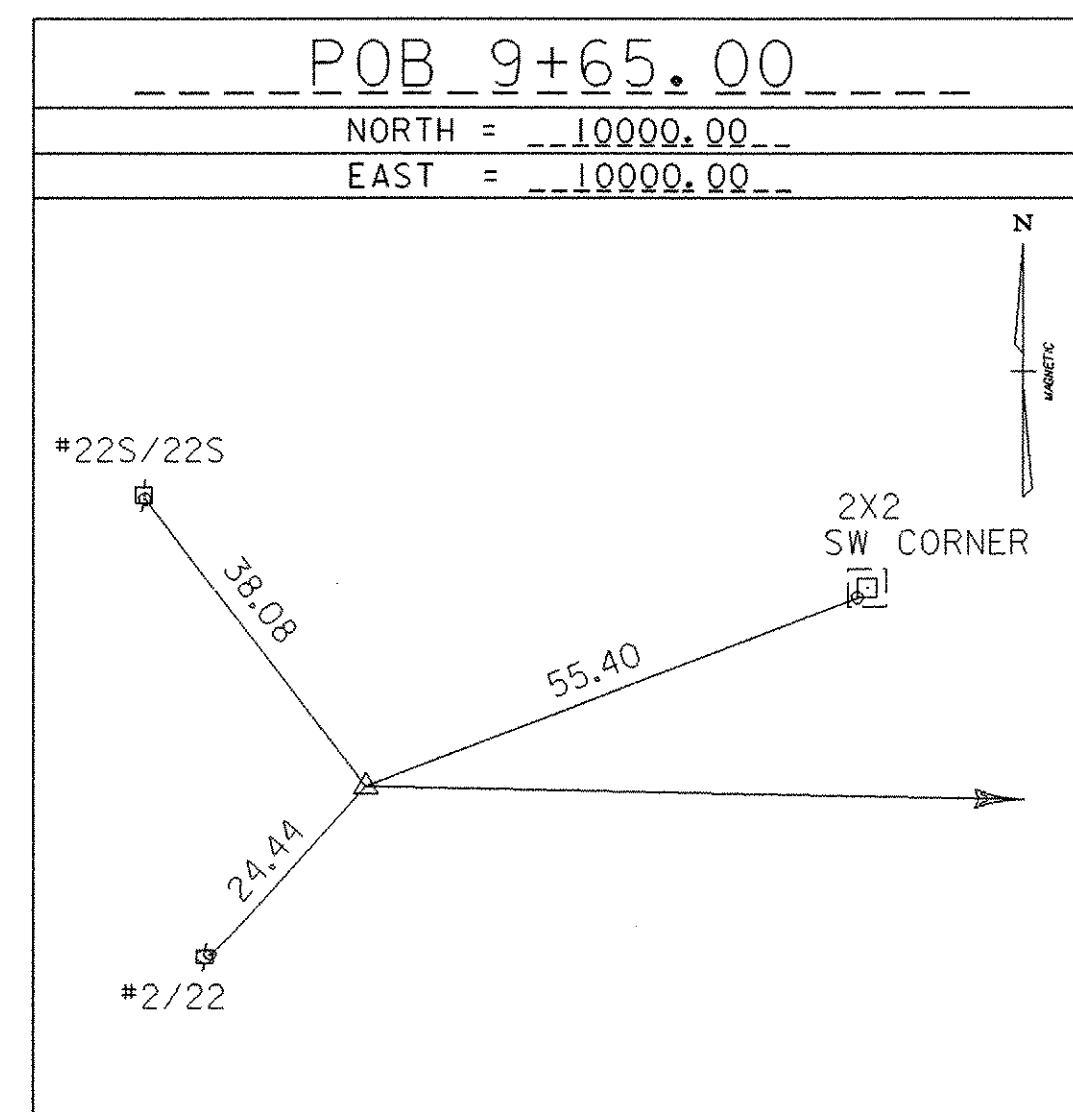
GPS CONTROL POINTS

CONTROL AND SURVEY DONE BY CROSS ENGINEERS  
NO DATUMS WERE REFERENCED

TRAVERSE TIES



ALIGNMENT TIES



Alignment Staked 04-08-2005 by L.Orvis P.C. & C.Harding

DATUM	
VERTICAL	UNKNOWN
HORIZONTAL	ASSUMED
ADJUSTMENT	UNKNOWN

PROJECT NAME:	SWANTON
PROJECT NUMBER:	SIPG ST 036-1(11)
FILE NAME:	00b1502trcfic/tb00b15011.dg
PROJECT LEADER:	B.Nyquist
DESIGNED BY:	B.Bullock
PLOT DATE:	19-APR-2006
DRAWN BY:	B.Bullock
CHECKED BY:	B.Bullock
	tb05tie.1
SHEET	16 OF 45