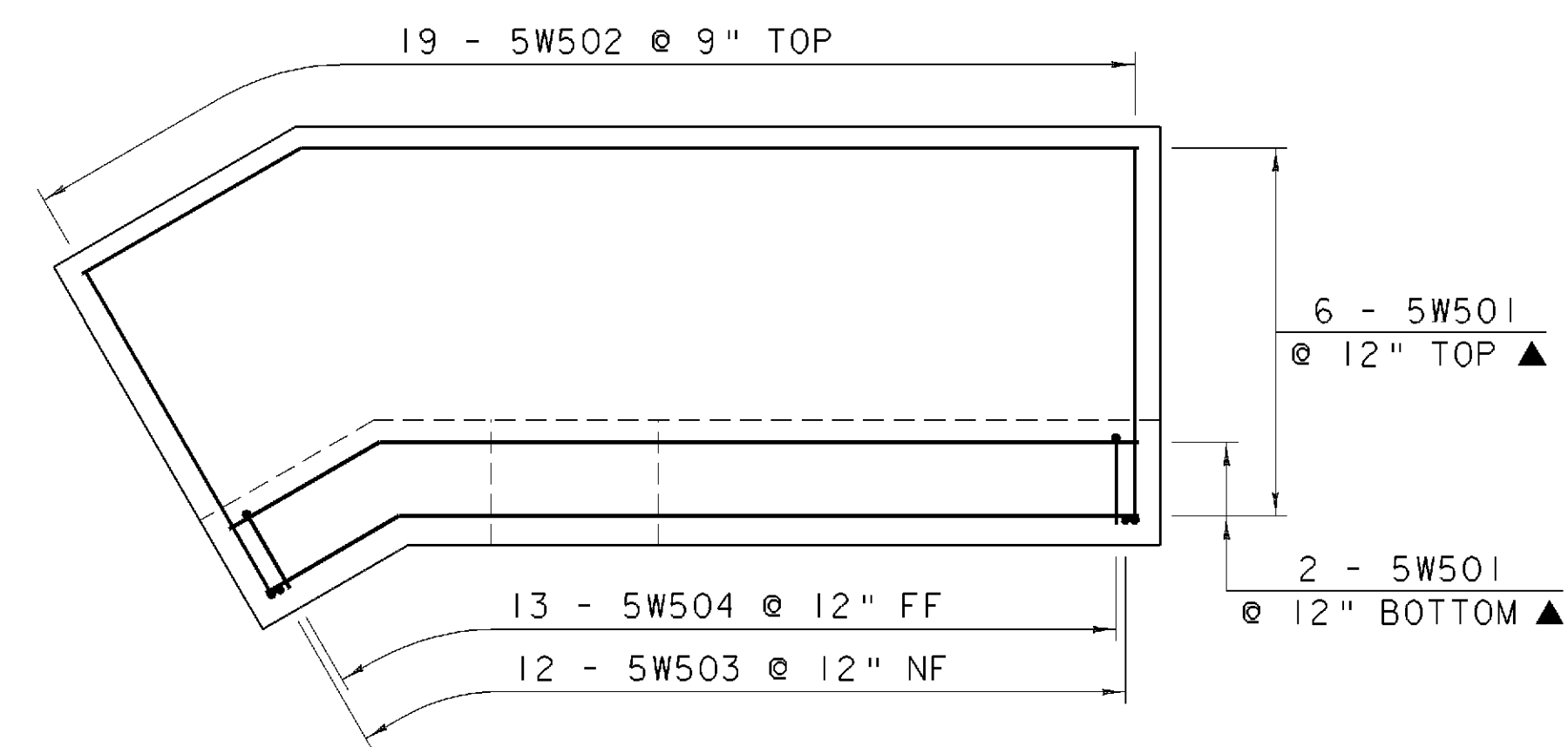
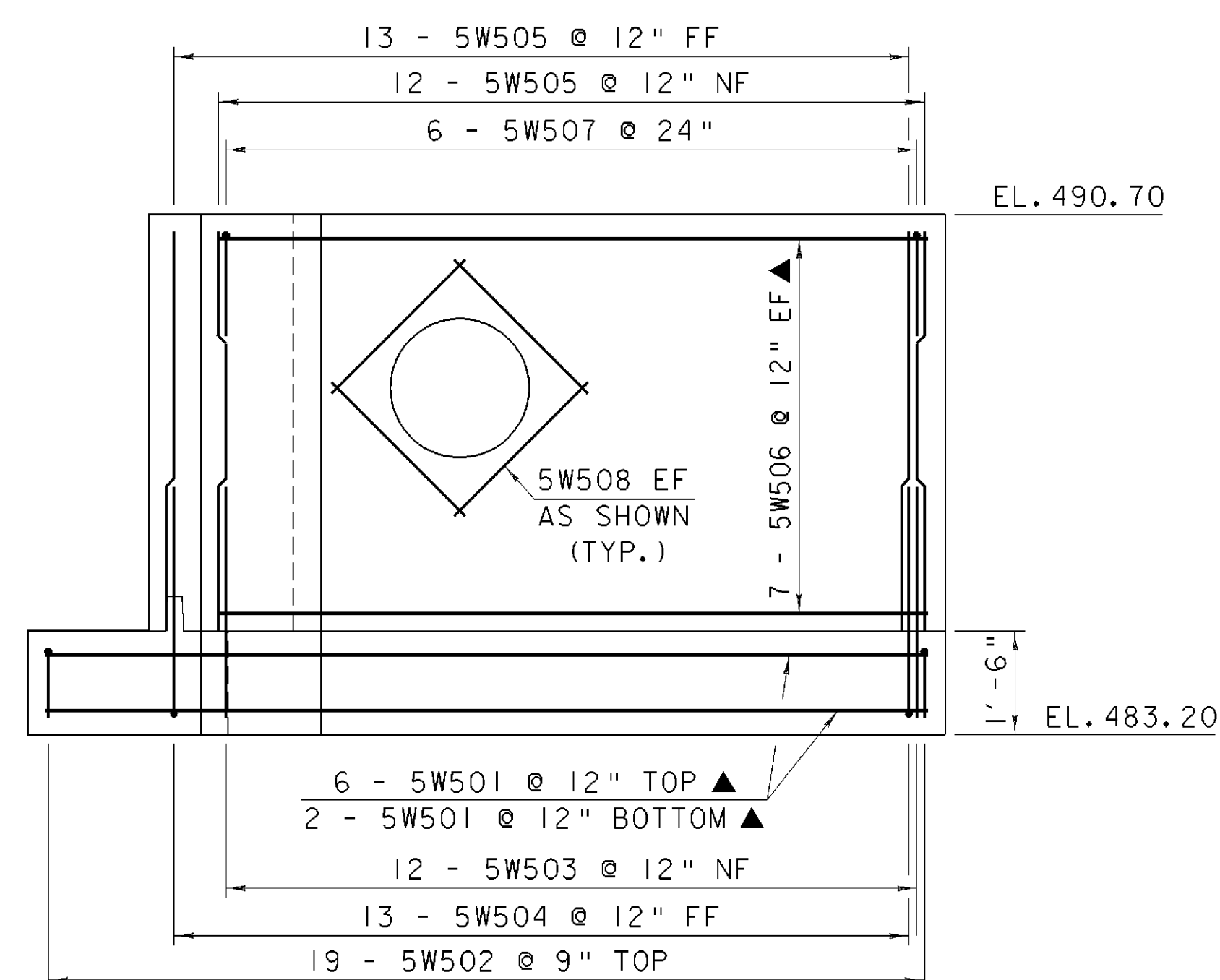


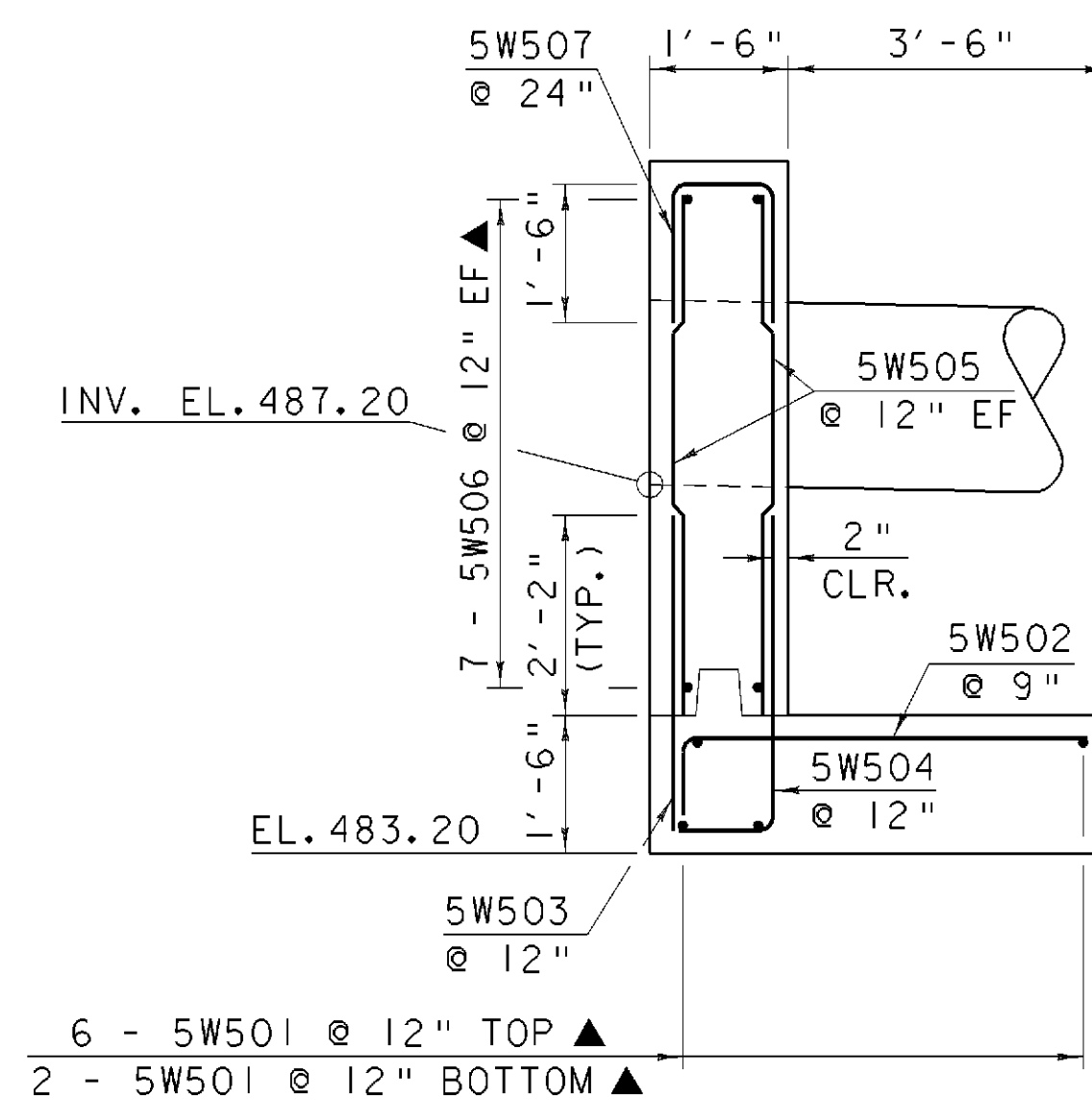
PLAN



FOOTING REINFORCING



ELEVATION



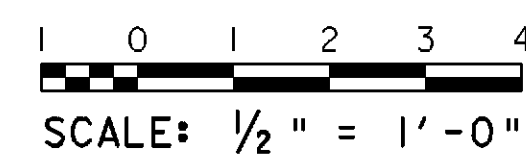
TYPICAL SECTION

NOTE:
 NF = NEAR FACE
 FF = FAR FACE
 EF = EACH FACE
 ▲ = CUT TO FIT IN FIELD
 3" CLR. UNLESS OTHERWISE NOTED
 2'-2" BAR LAP UNLESS OTHERWISE NOTED

CONCRETE IN HEADWALL SHALL BE HIGH PERFORMANCE CLASS B

HEADWALL DETAILS

DETAILS FOR HEADWALL AT 23+49 RT.



PROJECT NAME:	SPRINGFIELD	FILE NAME:	00b124\structures\sbl24hwd.l	PLOT DATE:	17-AUG-2004
PROJECT NUMBER:	STP 016-2 (10)S	PROJECT MANAGER:	R. WHITCOMB	DRAWN BY:	G. ROY
		DESIGNED BY:	G. ROY	CHECKED BY:	R. WHITCOMB
				SHEET	52 OF 72