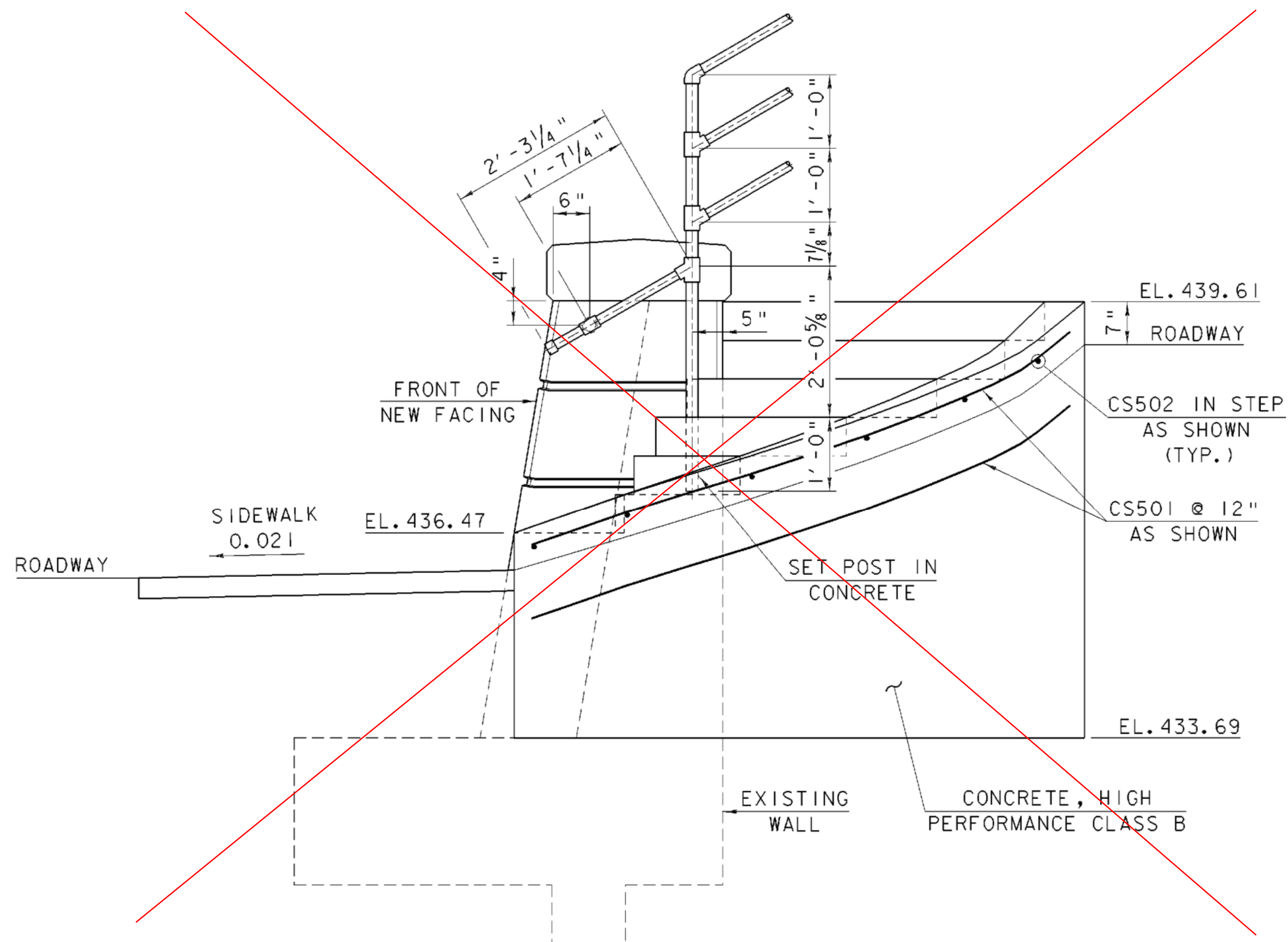


~~CONCRETE STEPS AND HAND RAILING PLAN~~

1 0 1 2 3 4
SCALE: 1/2" = 1'-0"



VIEW A-A

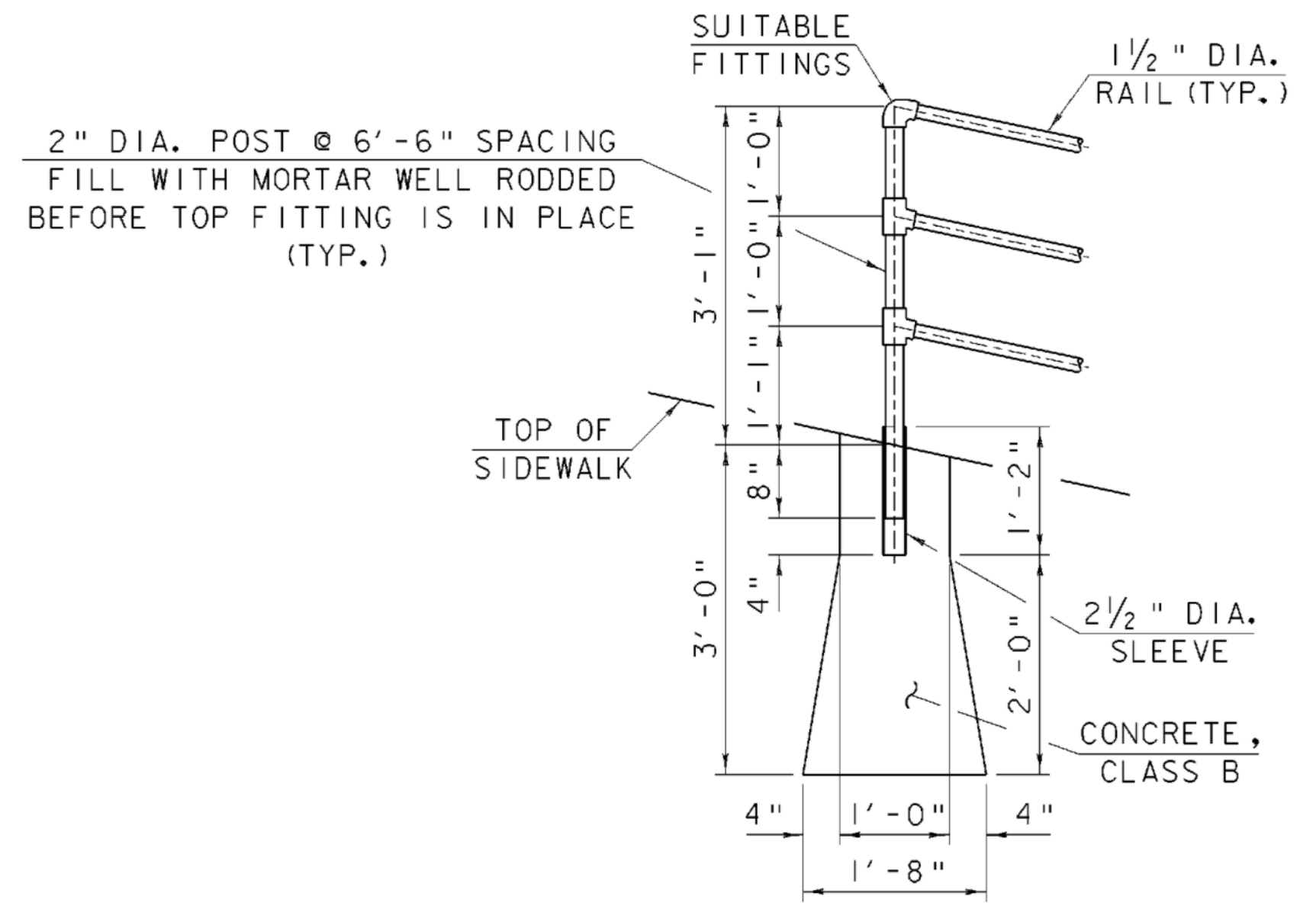
1 0 1 2 3
SCALE: 3/4" = 1'-0"

METAL HAND RAILING NOTES

1. ALL WORK AND MATERIALS SHALL CONFORM TO THE PROVISIONS OF SECTION 525 - RAILINGS OF THE STANDARD SPECIFICATIONS FOR CONSTRUCTION.
2. METAL HAND RAILING SHALL MEET THE REQUIREMENTS OF SECTION 732 - RAILING MATERIALS OF THE STANDARD SPECIFICATIONS FOR CONSTRUCTION.
3. RAIL POSTS SHALL BE SET PLUMB.
4. ALL RAILING PARTS SHALL BE GALVANIZED. NO PAINTING IS REQUIRED.
5. ITEM 525.15, "METAL HAND RAILING" SHALL INCLUDE RAILS, POSTS, FITTINGS, CAP, SLEEVES AND CONCRETE FOR POST ANCHORS.

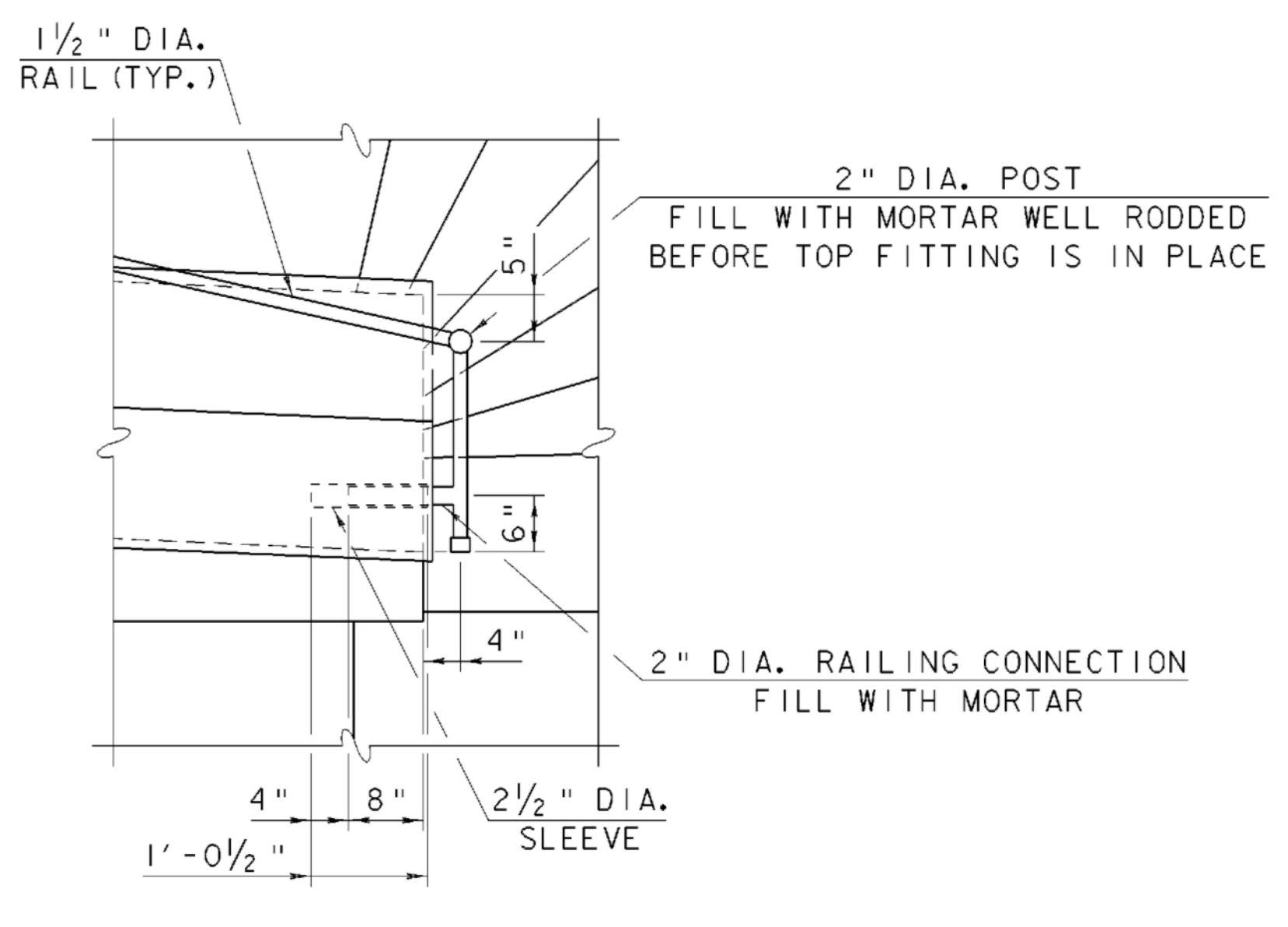
NOTE: CONCRETE STEPS NOT BUILT DUE TO CONFLICT WITH EXISTING SANITARY SEWER MAIN. THE HANDRAIL WAS INSTALLED ALONG THE TOP OF THE WALL CAP.

~~CONCRETE STEPS AND METAL HAND RAILING DETAILS~~



POST ANCHOR DETAIL

1 0 1 2 3
SCALE: 3/4" = 1'-0"



END CONNECTION DETAIL

1 0 1 2 3
SCALE: 3/4" = 1'-0"

PROJECT NAME:	SPRINGFIELD	FILE NAME:	00b124\structures\sb124smrd.1	PLOT DATE:	17-AUG-2004
PROJECT NUMBER:	STP 016-2 (10)S	PROJECT MANAGER:	R. WHITCOMB	DRAWN BY:	G. ROY
		DESIGNED BY:	G. ROY	CHECKED BY:	R. WHITCOMB
					SHEET 51 OF 72