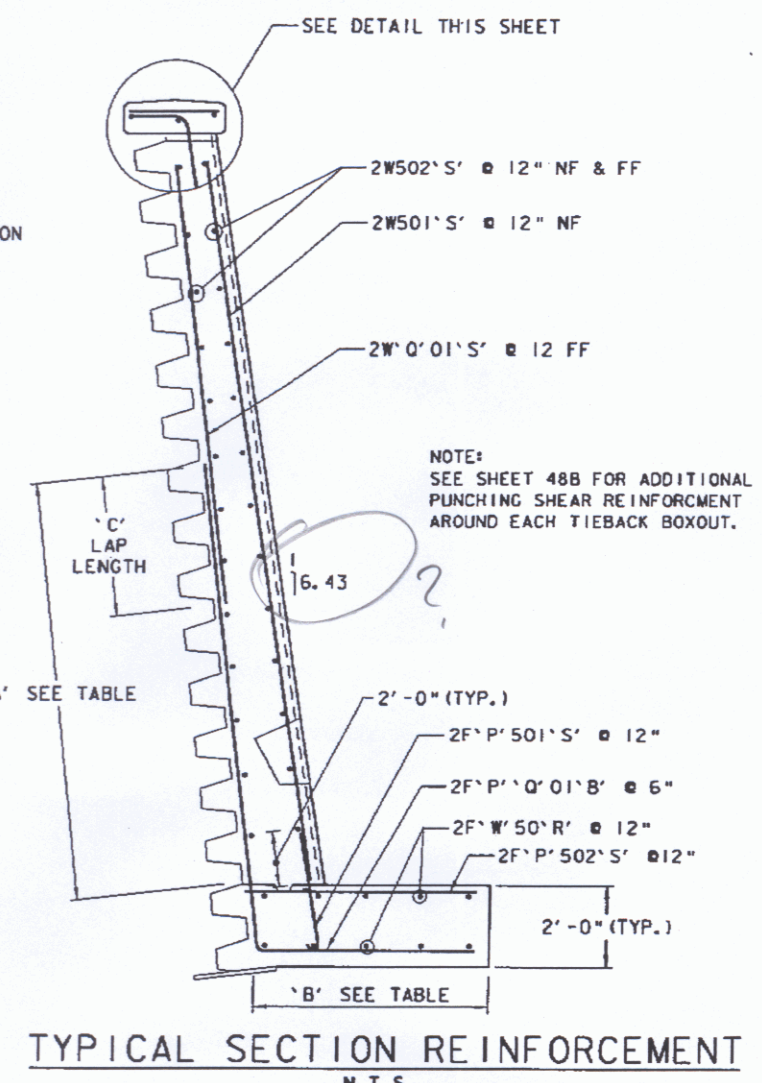
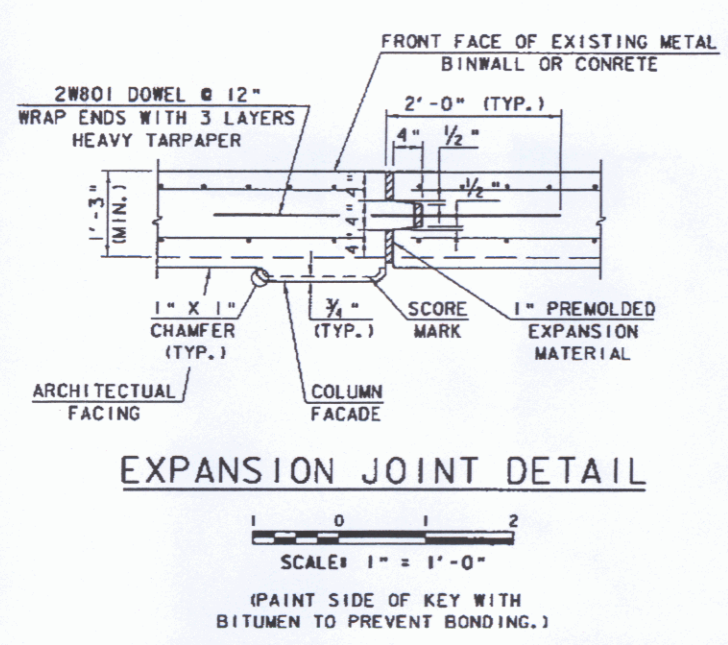
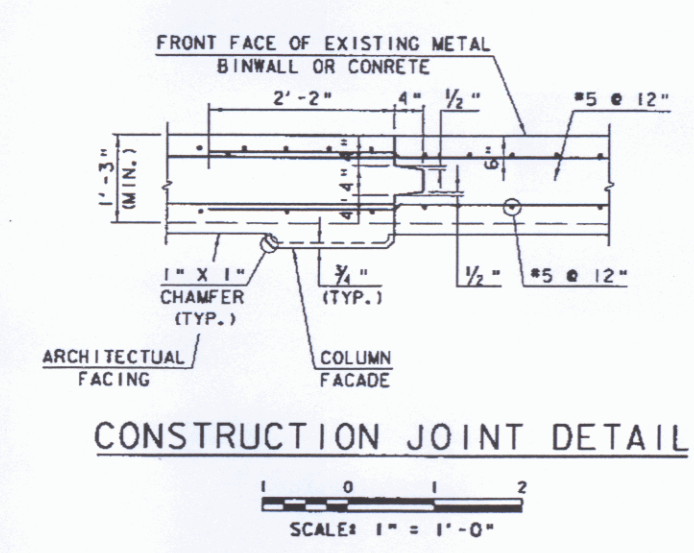
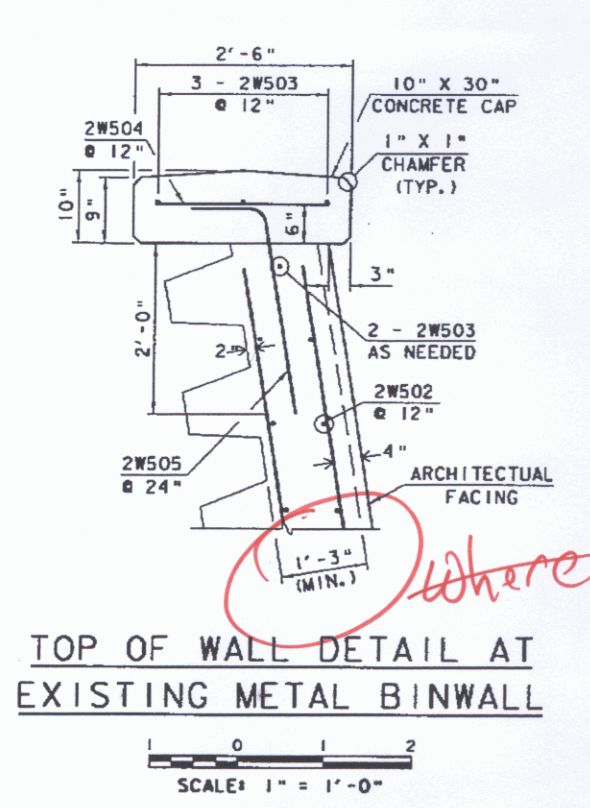


LEGEND
 P : FOOTING SECTION (1 THRU 10)
 D : BAR SIZE (#6, 7 OR 8)
 R : BAR MARK
 S : WALL SECTION (A THRU DD)
 NF : NEAR FACE
 FF : FAR FACE
 LAP LENGTH *C*



WALL SECTION	FOOTING WIDTH 'B'	TIEBACK DESIGN LOAD (KIPS)	TIEBACK BAR SIZE GRADE ISO	DESIGN WALL HEIGHT (FT)	BAR LENGTH 'A'
A, T, U	4'-0"	124	1 3/8"	16	3'-6"
G, H, I, J, K, Q, R, S, V	5'-0"	151	1 3/8"	18	4'-0"
B, L, M, N, O, P, W, DD	5'-0"	238	1 3/8"	20	4'-8"
C, D, E, F, X, Y, Z, AA, BB, CC	6'-0"	238	1 3/8"	22	5'-4"

15 bottom of wall set @ 2'?



TIEBACK WALL DETAILS

VALUE ENGINEERING REDESIGN
 OF WALL 2 PREPARED BY
 GEODESIGN, INC. 3-16-05



PROJECT NAME: SPRINGFIELD
 PROJECT NUMBER: STP 016-2 (01S)
 FILE NAME: 0002\FRANK\PROJECTS\016-2\01S.dwg PLOT DATE: 3/16/05
 PROJECT MANAGER: G. FRANK DRAWN BY: G. FRANK/S.M.C.
 DESIGNED BY: G. FRANK CHECKED BY: G. FRANK
 SHEET 48A OF 72