

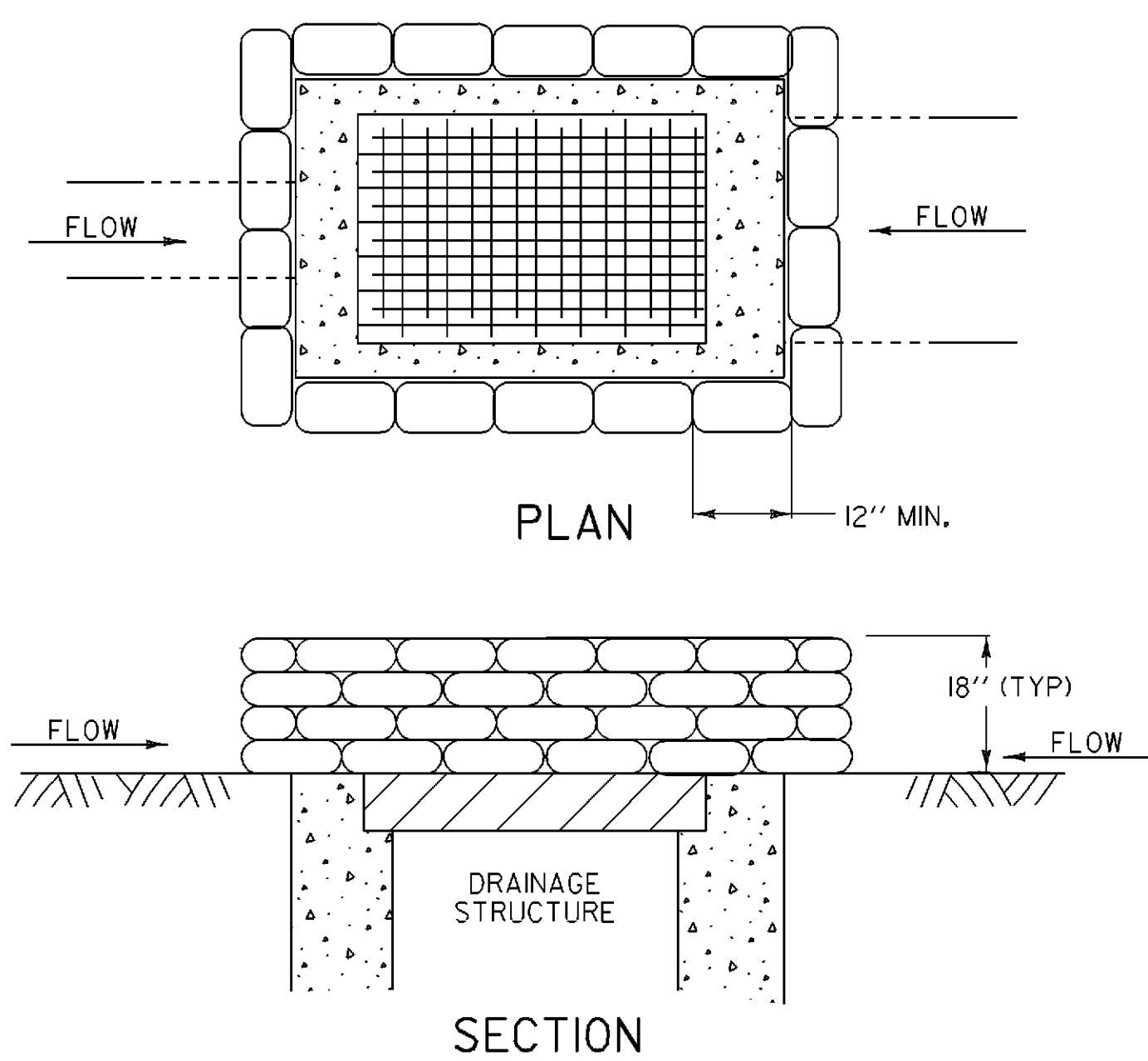
DROP INLET PROTECTION

APPLICATION NOTES:

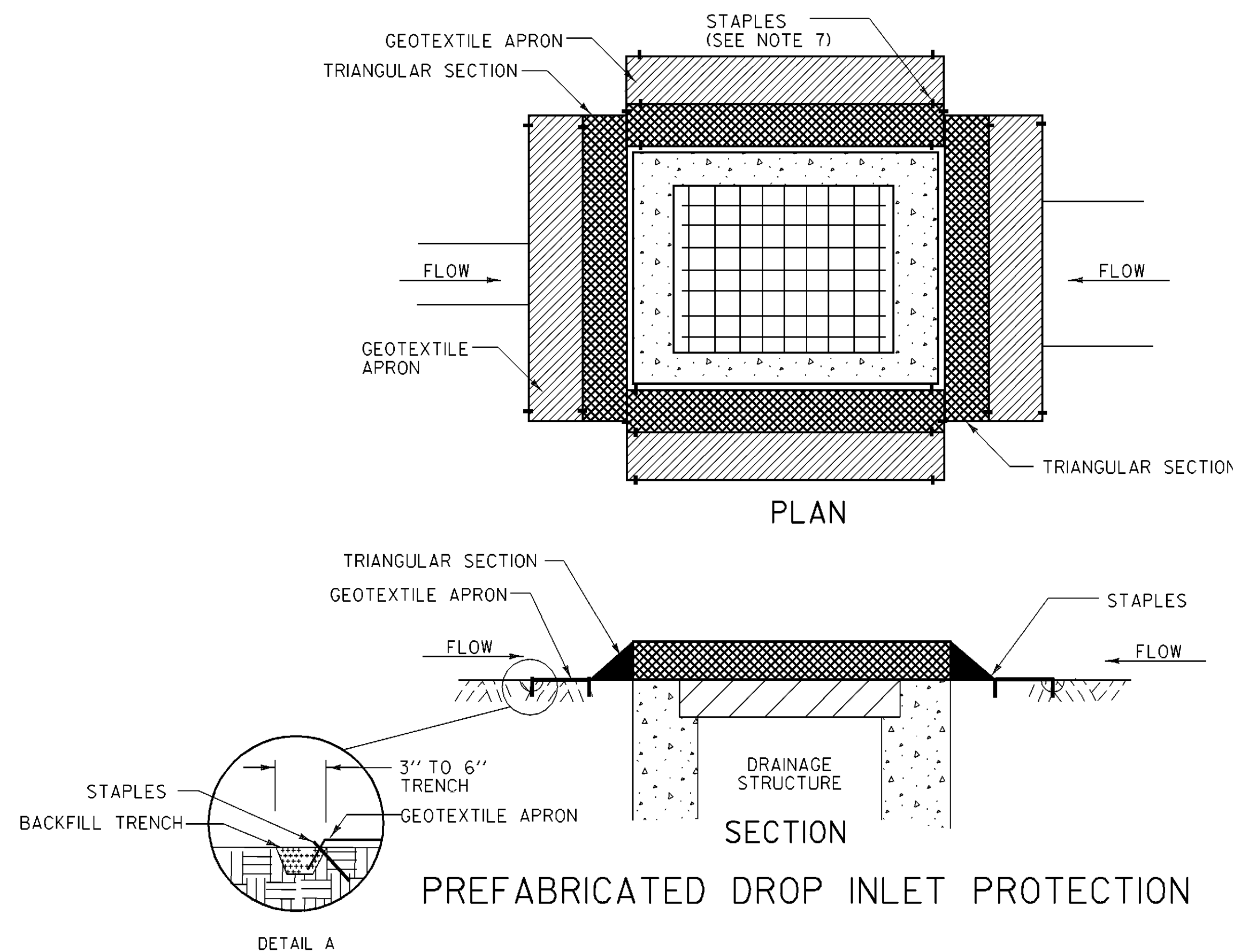
- THE PRIMARY PURPOSE OF DRAINAGE STRUCTURE INLET PROTECTION IS TO PREVENT SEDIMENT FROM ENTERING A DRAINAGE SYSTEM BY PONDING WATER WHICH ALLOWS SEDIMENT TO FALL OUT OF SUSPENSION.
- THESE EXAMPLES OF DROP INLET PROTECTION ARE NOT INTENDED FOR USE ON GRADES. ON GRADE THEY MAY CAUSE WATER TO BYPASS THE STRUCTURE, CREATING ADDITIONAL EROSION OR FLOODING.
- POSSIBLE MODIFICATIONS FOR USE ON GRADE INCLUDE ADDING A BERM DOWNSTREAM OF THE INLET TO CREATE PONDING. CHECK DAMS MAY ALSO BE USED UPSTREAM OF THE INLET TO SLOW VELOCITIES.
- PREFABRICATED DROP INLET PROTECTION SPECIFICATIONS SHALL BE PROVIDED TO THE ENGINEER FOR APPROVAL PRIOR TO USE.

GENERAL NOTES:

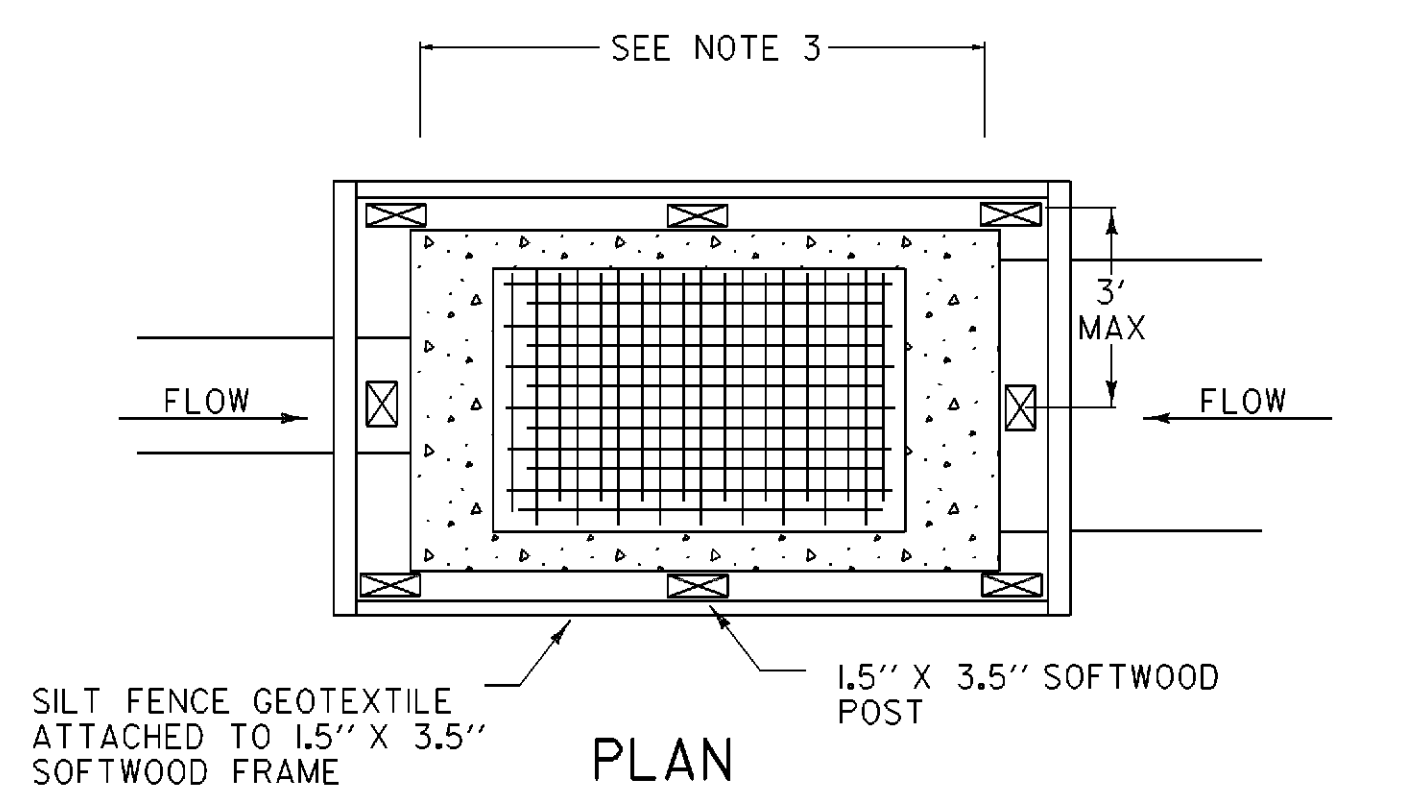
- THE TOP OF THE INLET PROTECTION SHALL BE SET AT THE MAXIMUM DESIRED WATER LEVEL, BASED ON FIELD LOCATION AND CONDITIONS.
- SILT FENCE GEOTEXTILE SHALL BE A SINGLE CONTINUOUS PIECE TO ELIMINATE JOINTS.
- SPACE SILT FENCE POSTS EVENLY AROUND INLET WITH A MAXIMUM SPACING OF 3 FEET. DRIVE POSTS A MINIMUM OF 18 INCHES INTO GROUND. WIRE MESH MAY BE REQUIRED BEHIND GEOTEXTILE TO PROVIDE SUPPORT.
- SILT FENCE GEOTEXTILE SHALL BE EMBEDDED A MINIMUM OF 6 INCHES AND BACKFILLED. GEOTEXTILE SHALL BE SECURELY FASTENED TO POSTS AND FRAME.
- GRAVEL BAGS SHALL BE FILLED WITH CLEAN STONE, RATHER THAN SAND, TO PREVENT SEDIMENT FROM ENTERING A DRAINAGE SYSTEM IF BAGS ARE DAMAGED DURING USE.
- GRAVEL BAGS SHALL BE INDIVIDUALLY TIED, DOUBLE BAGGED AND INVERSELY INSERTED. GRAVEL BAGS SHALL LAP THE JOINTS BETWEEN THE BAGS IN THE LAYER BELOW.
- SECURE THE ENDS OF THE APRON FOR THE PREFABRICATED DRAINAGE STRUCTURE INLET PROTECTION WITH STAPLES AS DETAILED IN THE PLAN VIEW OR AS RECOMMENDED BY THE MANUFACTURERS LITERATURE.
- MEASURES SHALL BE INSPECTED EVERY SEVEN (7) CALENDAR DAYS AND WITHIN 24 HOURS OF A STORM EVENT GREAT ENOUGH TO CAUSE WATER TO LEAVE THE CONSTRUCTION SITE.
- MEASURES SHALL BE CLEANED AND REPAIRED AS NEEDED. SEDIMENT SHALL BE REMOVED WHEN ACCUMULATION REACHES ONE-HALF OF THE MEASURE HEIGHT. SEDIMENT SHALL BE DISPOSED OF AS UNSUITABLE MATERIAL.
- PAYMENT OF INLET PROTECTION SHALL BE MADE UNDER APPLICABLE ITEMS INCLUDED IN THE CONTRACT PLANS OR UNDER THE MAINTENANCE OF EROSION PREVENTION & SEDIMENT CONTROL PLAN ITEM.
- PAYMENT FOR MONITORING INLET PROTECTION SHALL BE MADE UNDER THE MONITORING EROSION PREVENTION & SEDIMENT CONTROL PLAN ITEM.
- PAYMENT FOR MAINTAINING INLET PROTECTION SHALL BE MADE UNDER THE MAINTENANCE OF EROSION PREVENTION & SEDIMENT CONTROL PLAN ITEM, UNLESS MAINTENANCE IS REQUIRED DUE TO POOR INSTALLATION PRACTICES.



GRAVEL BAG DROP INLET PROTECTION

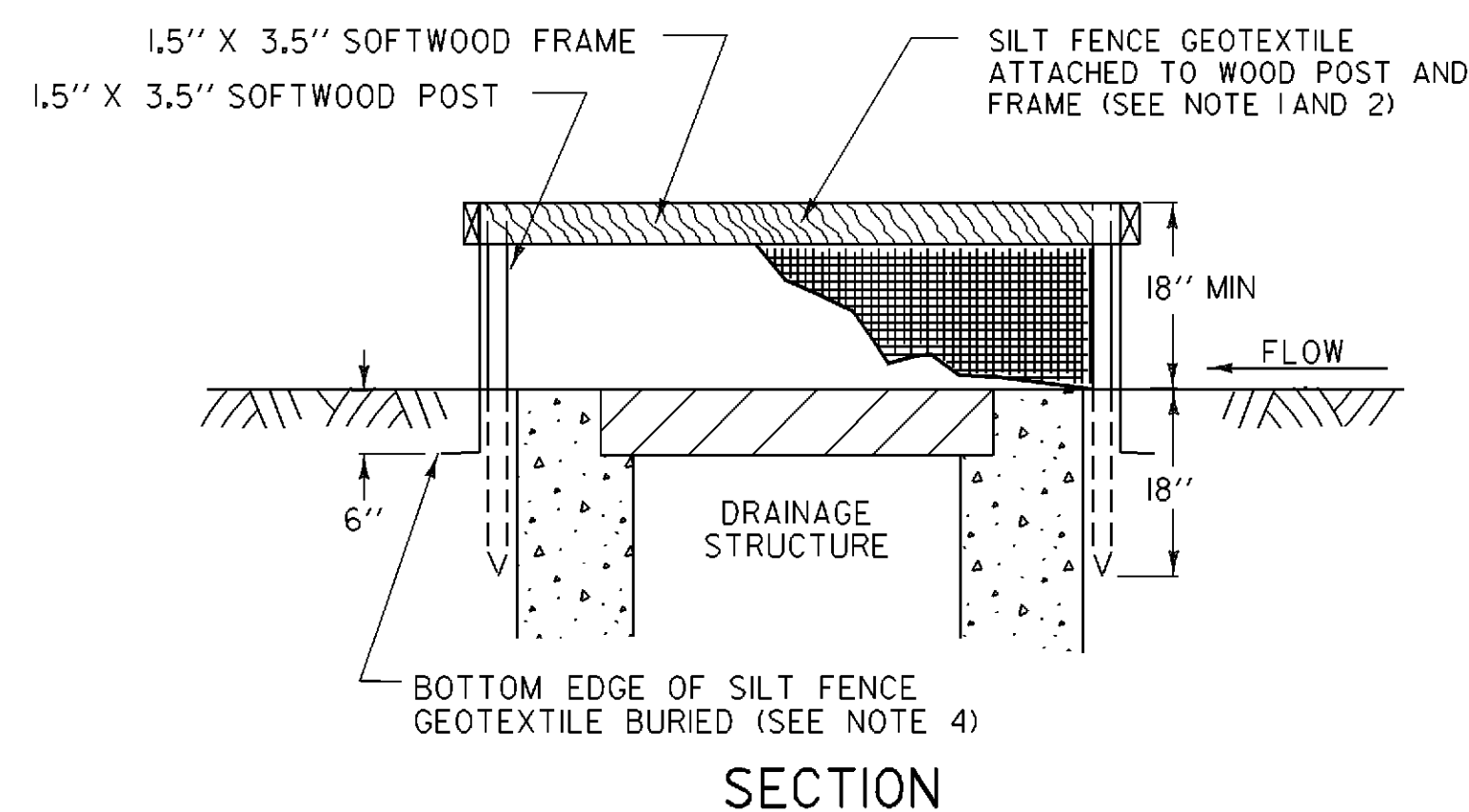


PREFABRICATED DROP INLET PROTECTION

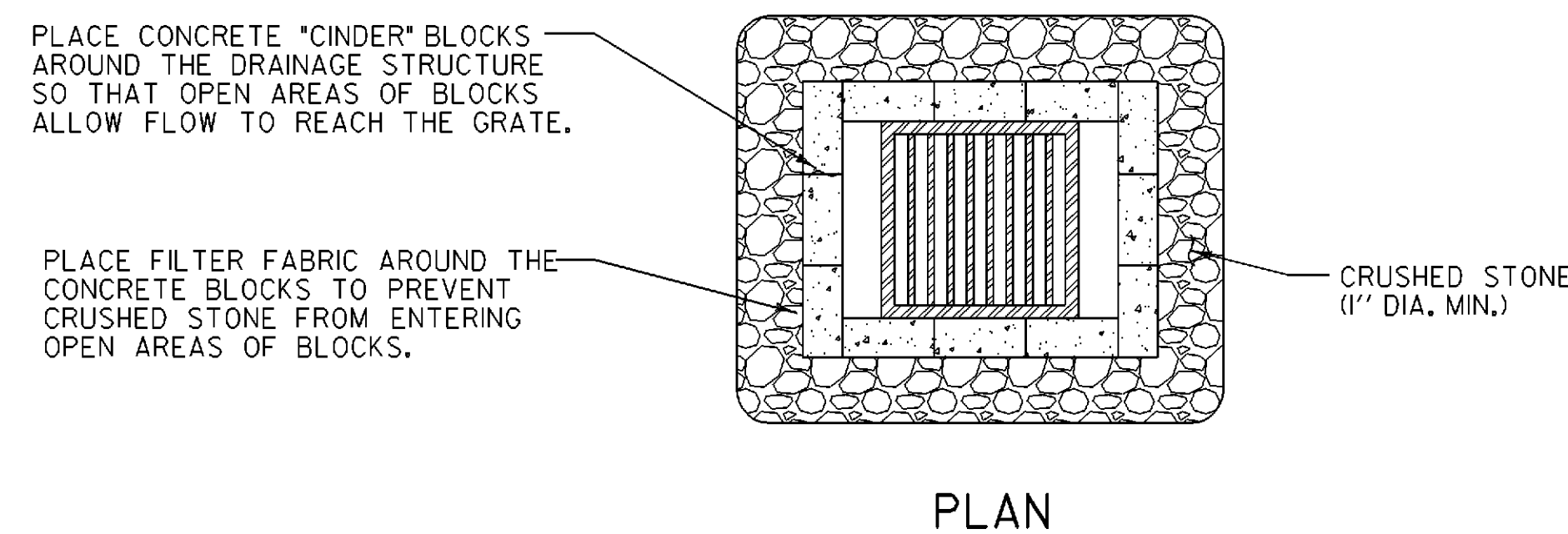


SILT FENCE GEOTEXTILE ATTACHED TO 1.5" X 3.5" SOFTWOOD FRAME

PLAN



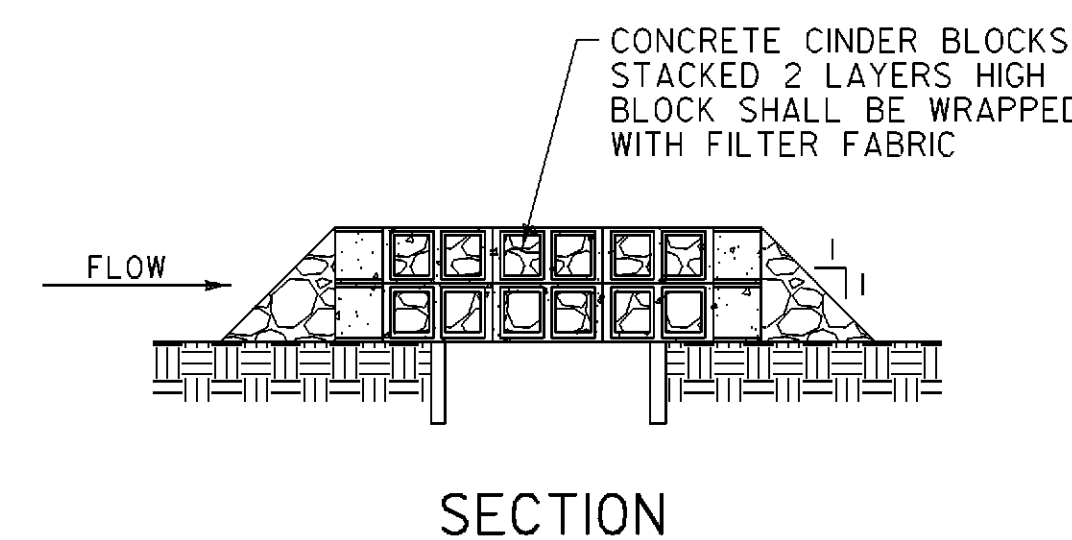
SILT FENCE DROP INLET PROTECTION



PLACE CONCRETE "CINDER" BLOCKS AROUND THE DRAINAGE STRUCTURE SO THAT OPEN AREAS OF BLOCKS ALLOW FLOW TO REACH THE GRATE.

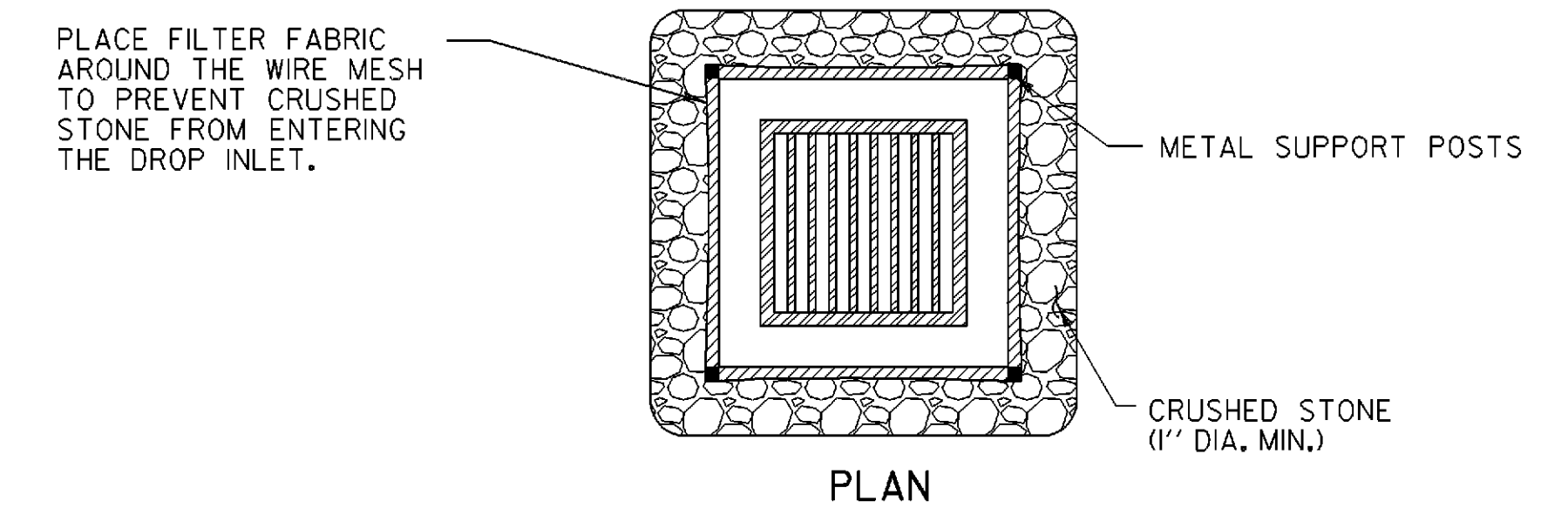
PLACE FILTER FABRIC AROUND THE CONCRETE BLOCKS TO PREVENT CRUSHED STONE FROM ENTERING OPEN AREAS OF BLOCKS.

PLAN

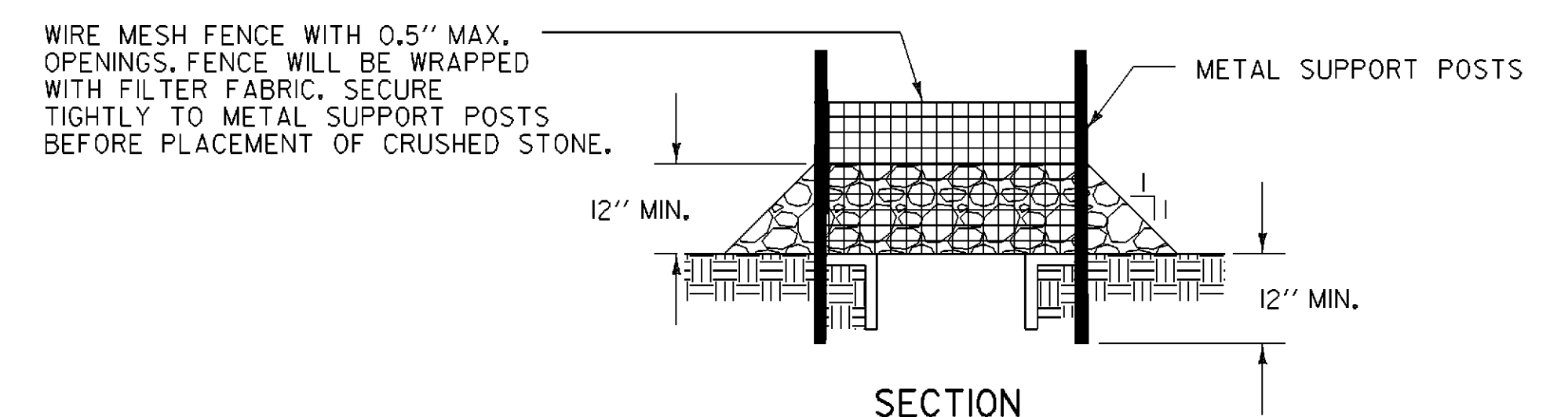


SECTION

ROCK BARRIER DROP INLET PROTECTION
TEMPORARY PAVED AREAS



PLAN



SECTION

ROCK BARRIER INLET PROTECTION
TEMPORARY UNPAVED AREAS

EROSION PREVENTION & SEDIMENT CONTROL DETAILS DROP INLET PROTECTION

PROJECT NAME:	SPRINGFIELD	FILE NAME:	00b124\Structures\sb124ecd2.1	PLOT DATE:	17-AUG-2004
PROJECT NUMBER:	STP 016-2 (10)S	PROJECT MANAGER:	R. WHITCOMB	DRAWN BY:	G. ROY
		DESIGNED BY:	G. ROY	CHECKED BY:	R. WHITCOMB
				SHEET	42 OF 72