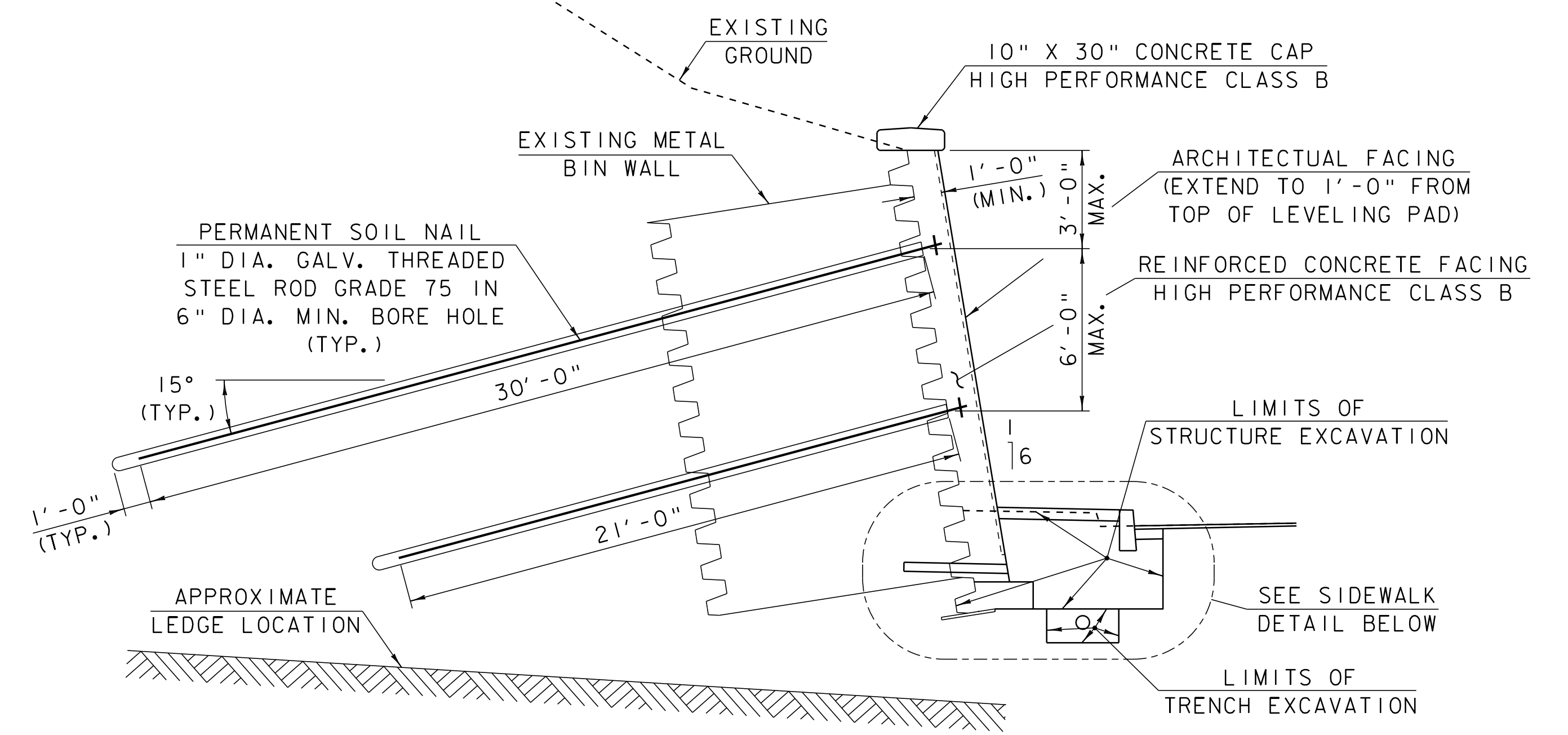


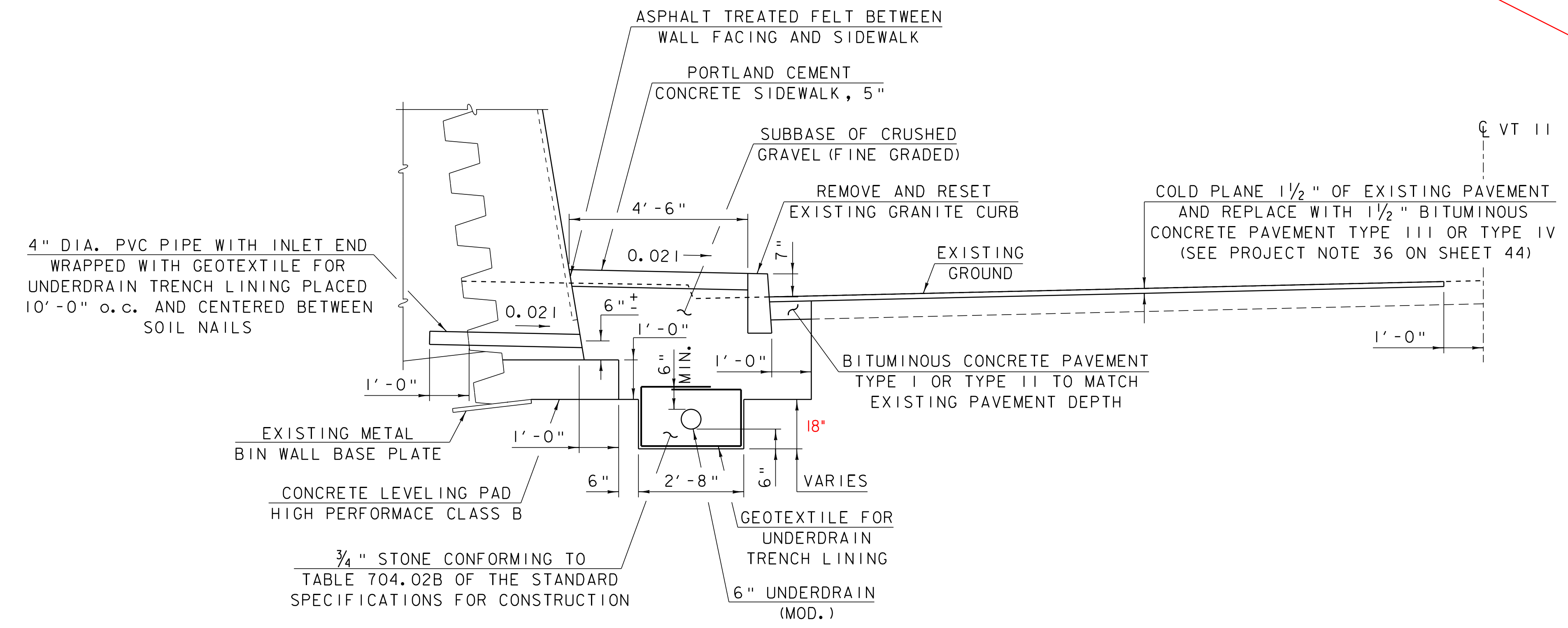
**TYPICAL SOIL NAIL WALL SECTION
TALLER THAN 15'-0"**

1 0 1 2 3 4 5 6
SCALE: 1/4" = 1'-0"



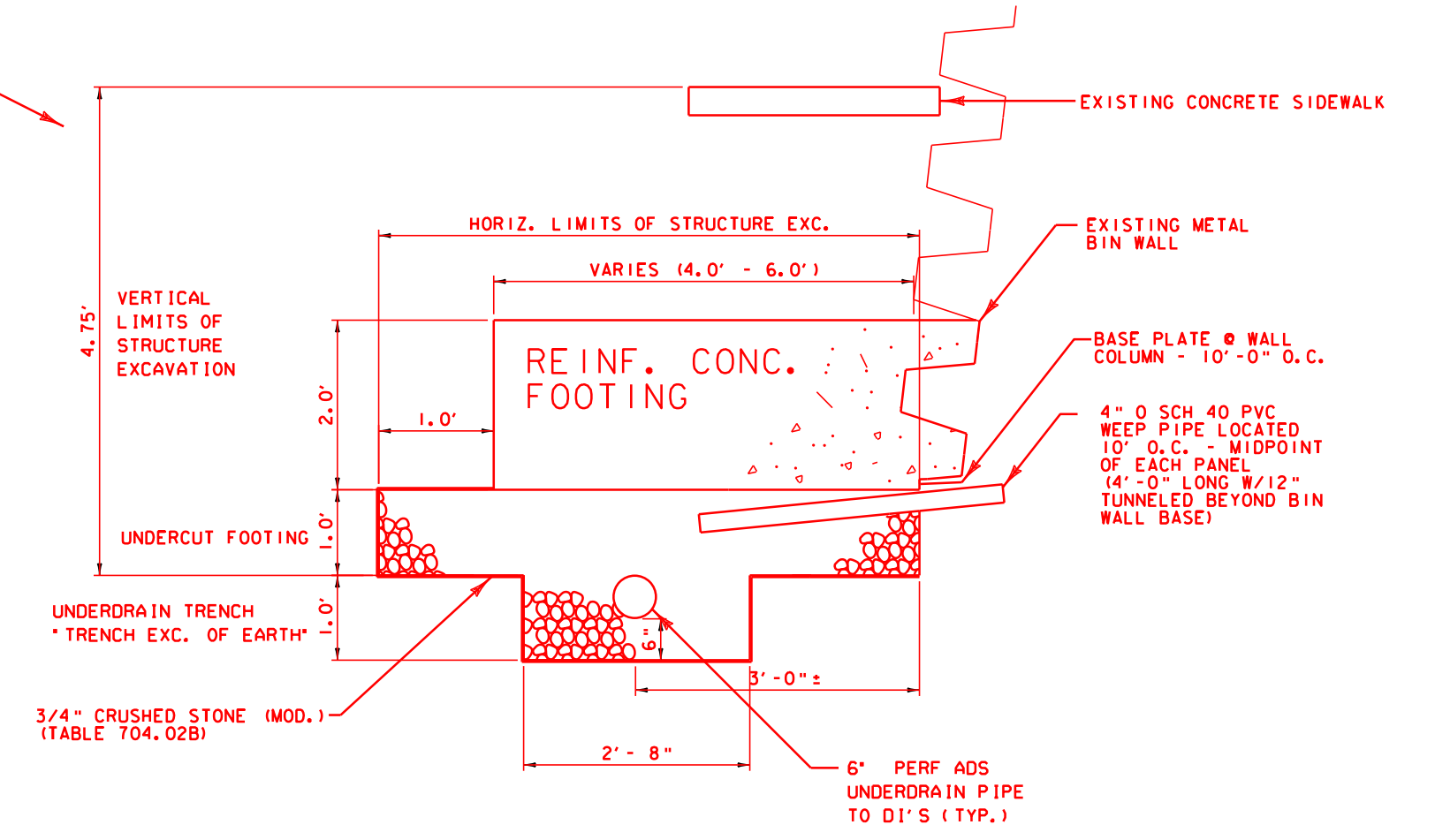
**TYPICAL SOIL NAIL WALL SECTION
15'-0" OR SHORTER**

1 0 1 2 3 4 5 6
SCALE: 1/4" = 1'-0"



SIDEWALK DETAIL

1 0 1 2 3 4
SCALE: 1/2" = 1'-0"



**AS-BUILT FOOTING & UNDERDRAIN DETAIL
REHAB EXISTING METAL BINWALL (RTE 11)**
N. T. S.

**SOIL NAIL WALL
TYPICAL SECTIONS**

| | | | | | |
|-----------------|-----------------|------------------|-------------------------------|------------|-------------------|
| PROJECT NAME: | SPRINGFIELD | FILE NAME: | 00b124\structures\sb124typ1.i | PLOT DATE: | 14-SEP-2011 08:52 |
| PROJECT NUMBER: | STP 016-2 (10)S | PROJECT MANAGER: | R. WHITCOMB | DRAWN BY: | G. ROY |
| DESIGNED BY: | G. ROY | CHECKED BY: | R. WHITCOMB | SHEET | 2 OF 72 |