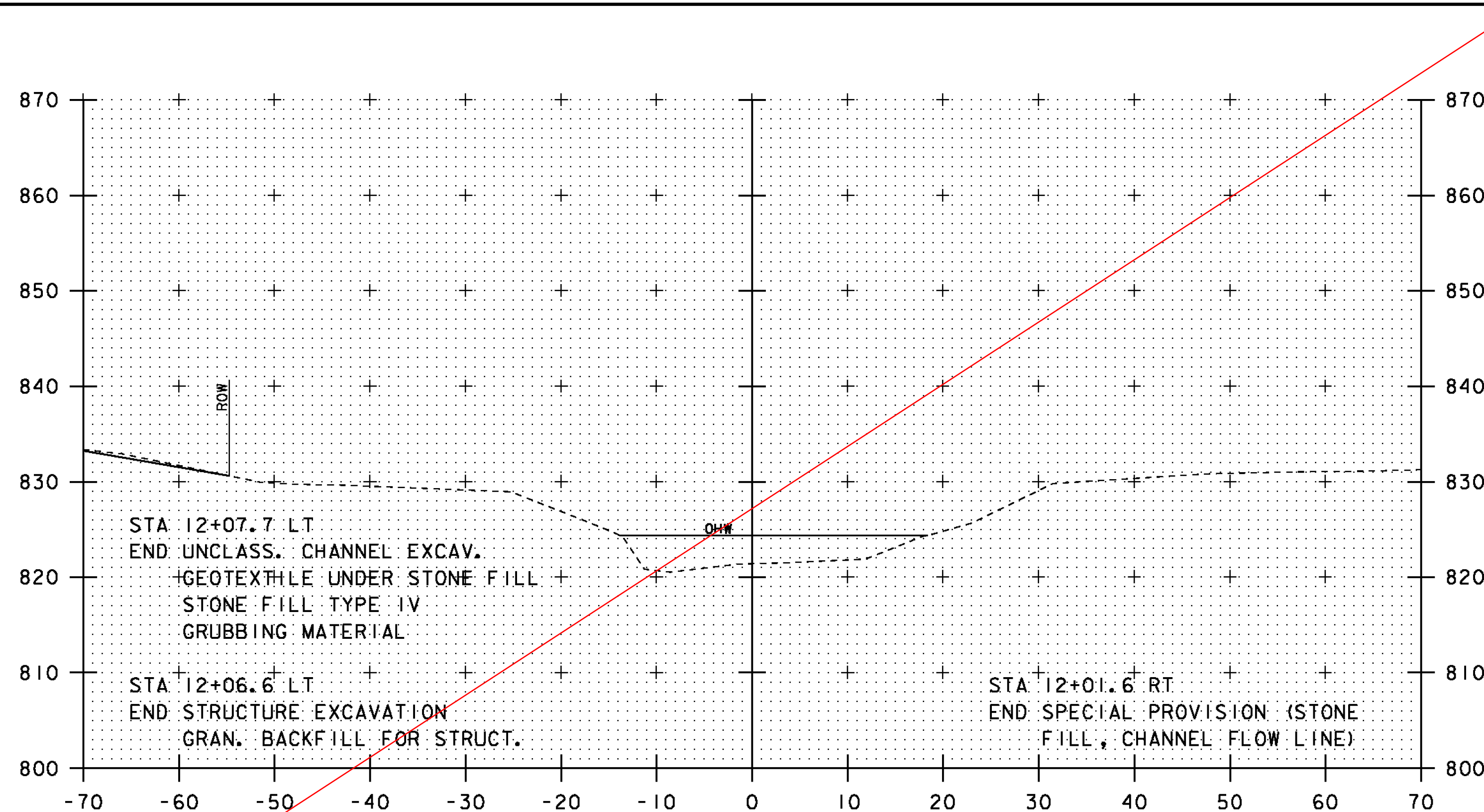
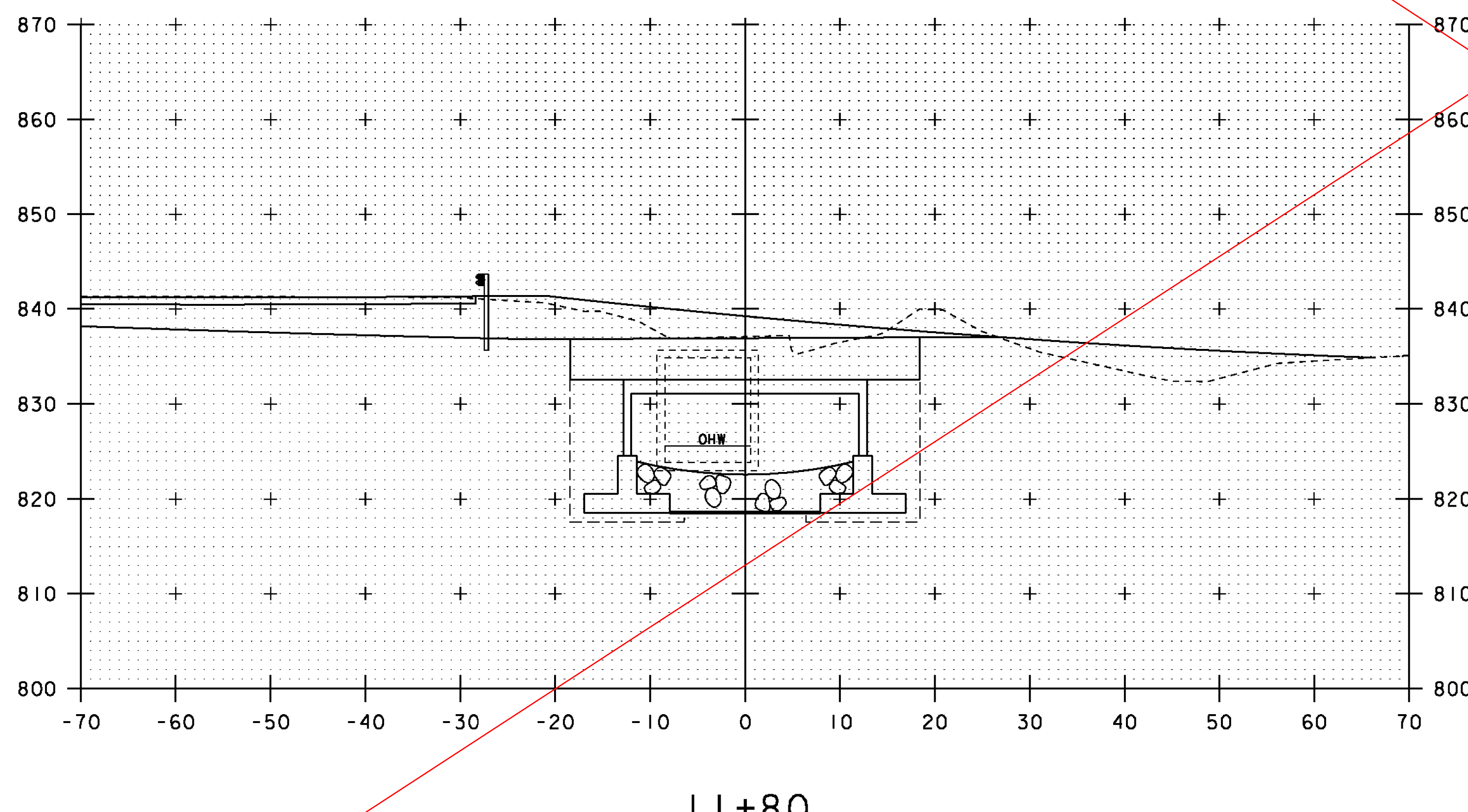


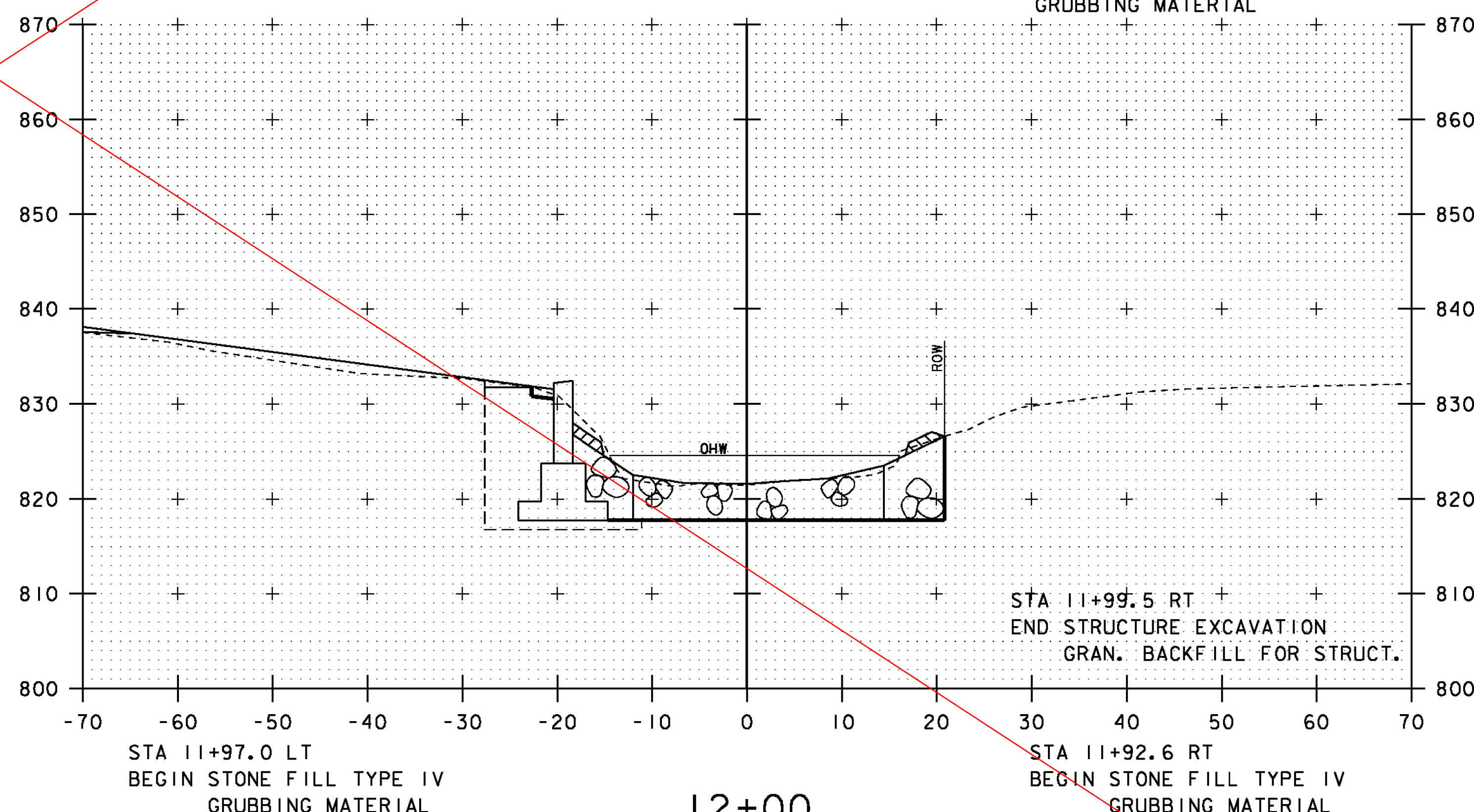
11+90



12+10



11+80



12+00

STA 12+07.7 LT  
END UNCLASS. CHANNEL EXCAV.  
GEOTEXTILE UNDER STONE FILL  
STONE FILL TYPE IV  
GRUBBING MATERIAL

STA 12+06.6 LT  
END STRUCTURE EXCAVATION  
GRAN. BACKFILL FOR STRUCT.

STA 12+04.9 LT  
END SPECIAL PROVISION (STONE  
FILL, CHANNEL FLOW LINE)

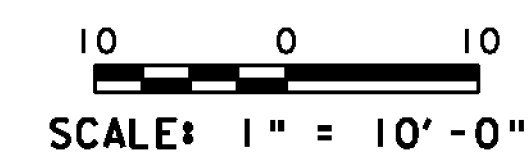
STA 12+01.6 RT  
END SPECIAL PROVISION (STONE  
FILL, CHANNEL FLOW LINE)

STA 12+01.6 RT  
END UNCLASS. CHANNEL EXCAV.  
GEOTEXTILE UNDER STONE FILL  
STONE FILL TYPE IV  
GRUBBING MATERIAL

STA 11+99.5 RT  
END STRUCTURE EXCAVATION  
GRAN. BACKFILL FOR STRUCT.

STA 11+92.6 RT  
BEGIN STONE FILL TYPE IV  
GRUBBING MATERIAL

NOTE: SEE REVISED SHEET  
DATED 27-OCT-2011  
FOR POST IRENE REVISIONS



STA. 11+80 TO STA. 12+10

PROJECT NAME:	PITTSFIELD-STOCKBRIDGE	PLOT DATE:	02-SEP-2011
PROJECT NUMBER:	STP 022-1(22)S	DRAWN BY:	G. ROY
FILE NAME:	s00b122xsl.dgn	CHECKED BY:	R. YOUNG
PROJECT LEADER:	C. P. WILLIAMS	CHANNEL CROSS SECTIONS (3)	SHEET 41 OF 41
DESIGNED BY:	G. ROY		