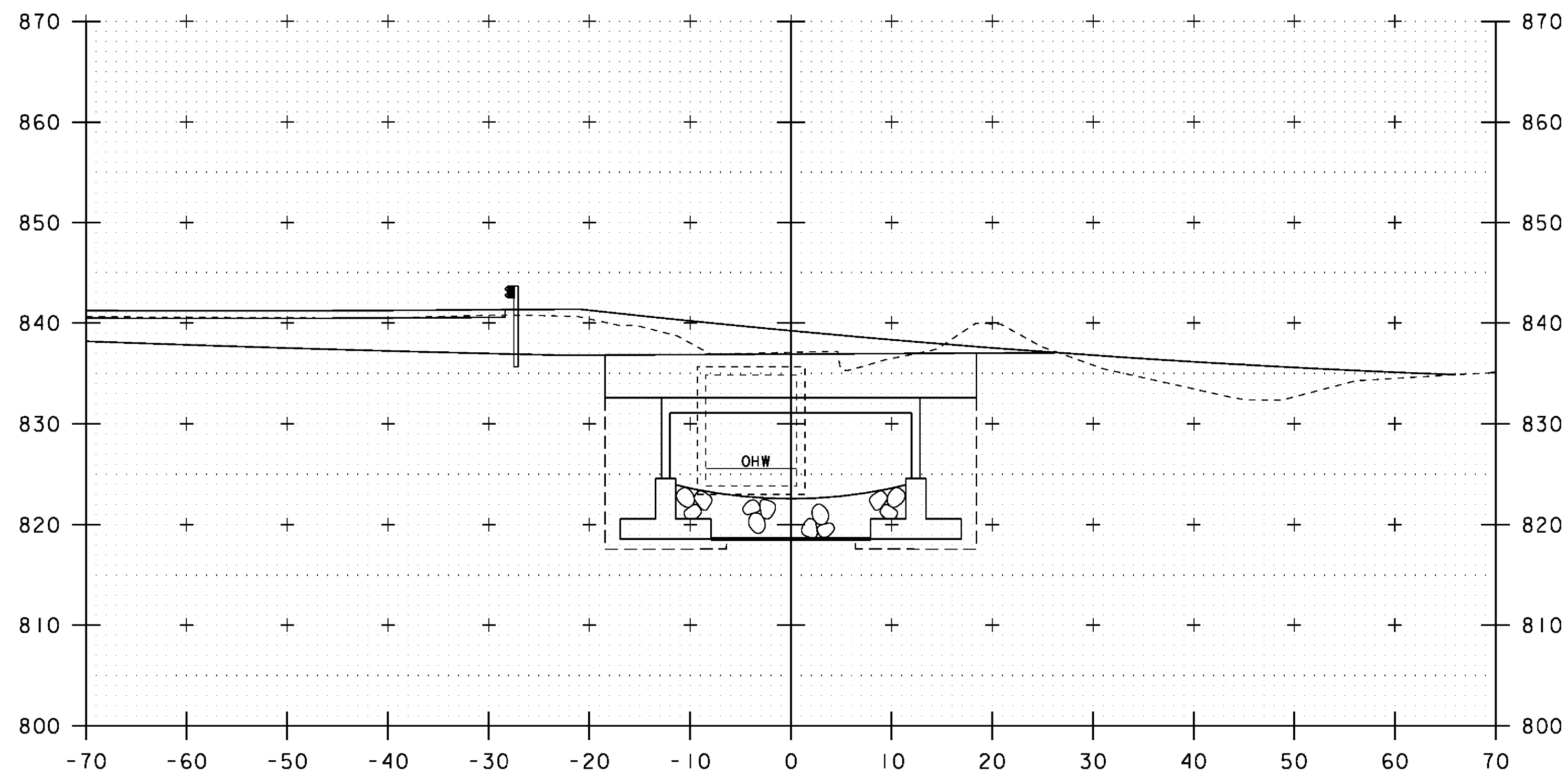
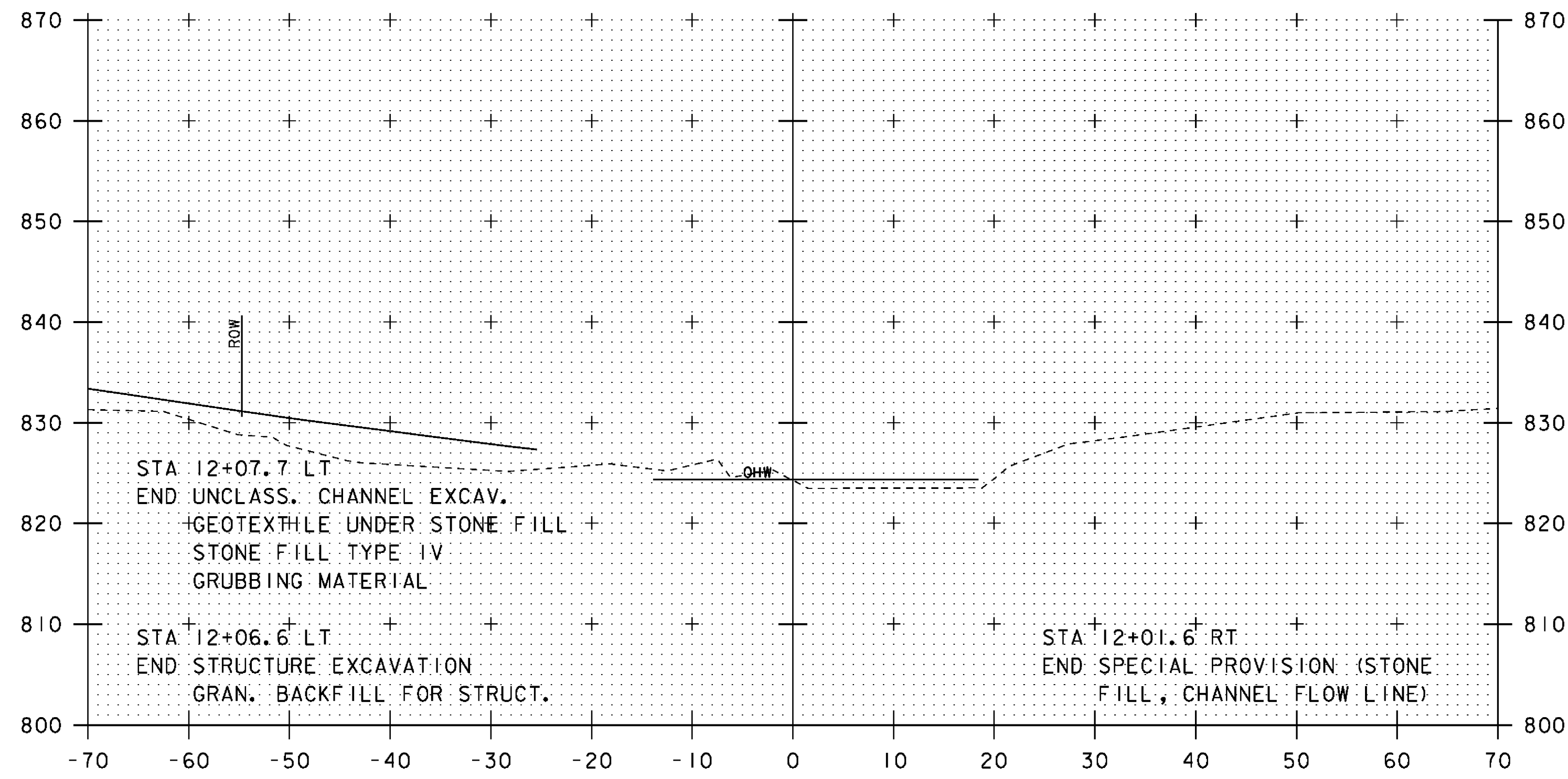


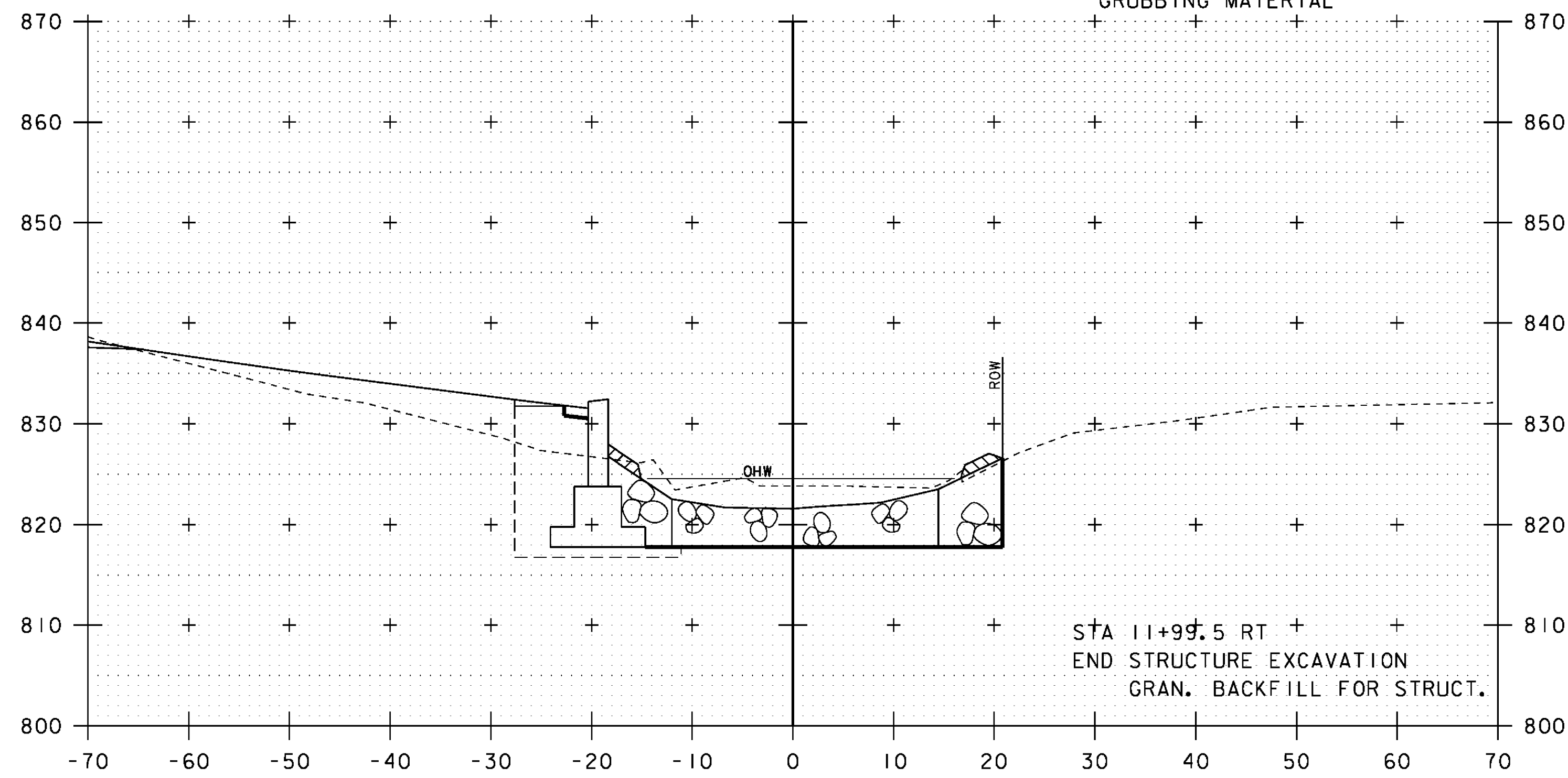
11+90



11+80



12+10



12+00

STA 12+07.7 LT
END UNCLASS. CHANNEL EXCAV.
GEOTEXTILE UNDER STONE FILL
STONE FILL TYPE IV
GRUBBING MATERIAL

STA 12+06.6 LT
END STRUCTURE EXCAVATION
GRAN. BACKFILL FOR STRUCT.

STA 12+01.6 RT
END SPECIAL PROVISION (STONE FILL, CHANNEL FLOW LINE)

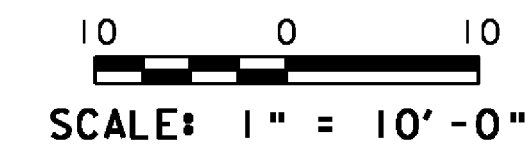
STA 12+01.6 RT
END UNCLASS. CHANNEL EXCAV.
GEOTEXTILE UNDER STONE FILL
STONE FILL TYPE IV
GRUBBING MATERIAL

STA 11+99.5 RT
END STRUCTURE EXCAVATION
GRAN. BACKFILL FOR STRUCT.

STA 11+97.0 LT
BEGIN STONE FILL TYPE IV
GRUBBING MATERIAL

STA 11+92.6 RT
BEGIN STONE FILL TYPE IV
GRUBBING MATERIAL

NOTE: REVISED SHEET FOR POST IRENE



STA. 11+80 TO STA. 12+10

PROJECT NAME: PITTSFIELD-STOCKBRIDGE	PLOT DATE: 27-OCT-2011
PROJECT NUMBER: STP 022-1(22)S	DRAWN BY: G. ROY
FILE NAME: s00b122xsl.dgn	CHECKED BY: R. YOUNG
PROJECT LEADER: C. P. WILLIAMS	SHEET 41 OF 41
DESIGNED BY: G. ROY	
CHANNEL CROSS SECTIONS (3)	