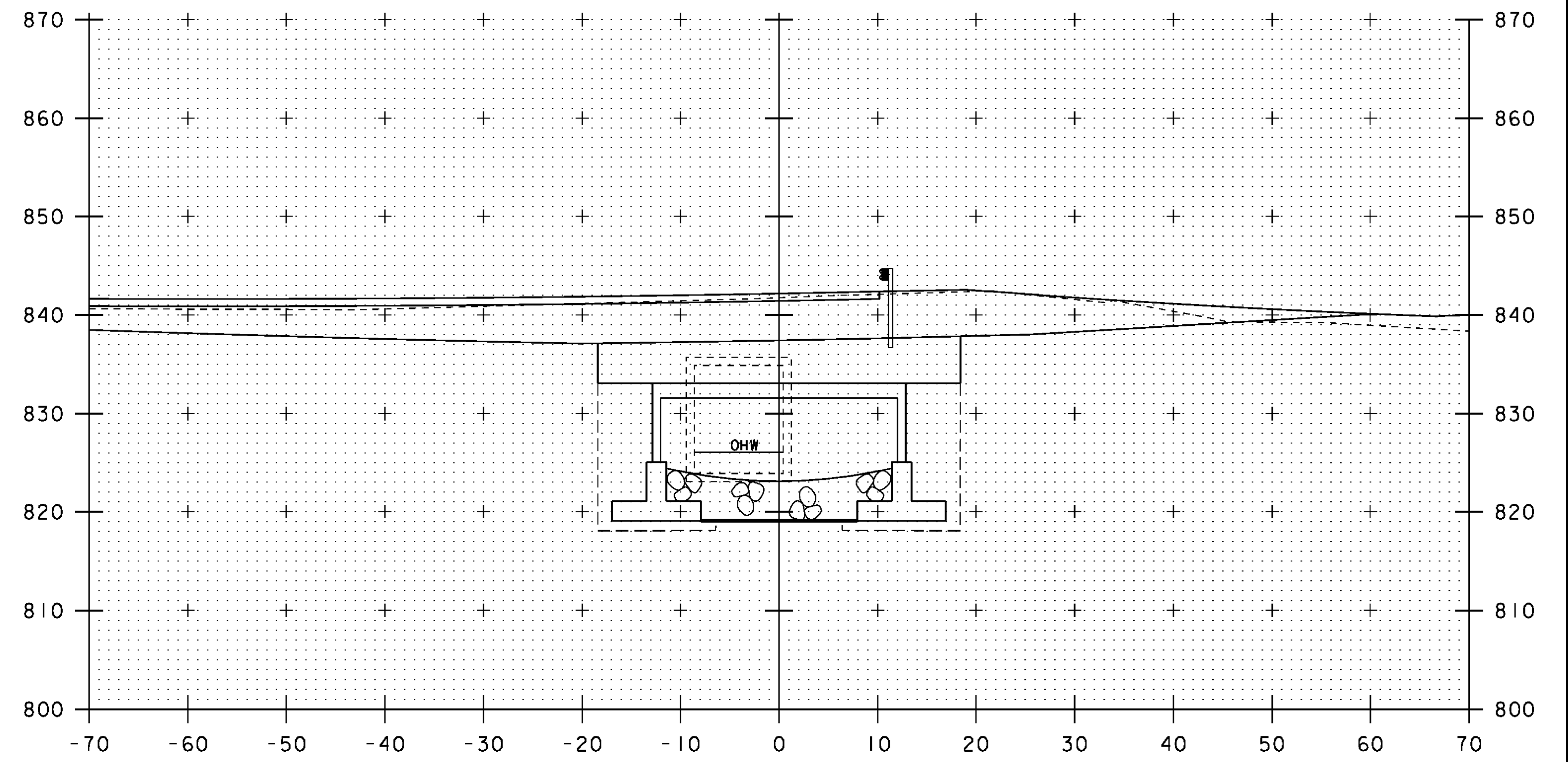
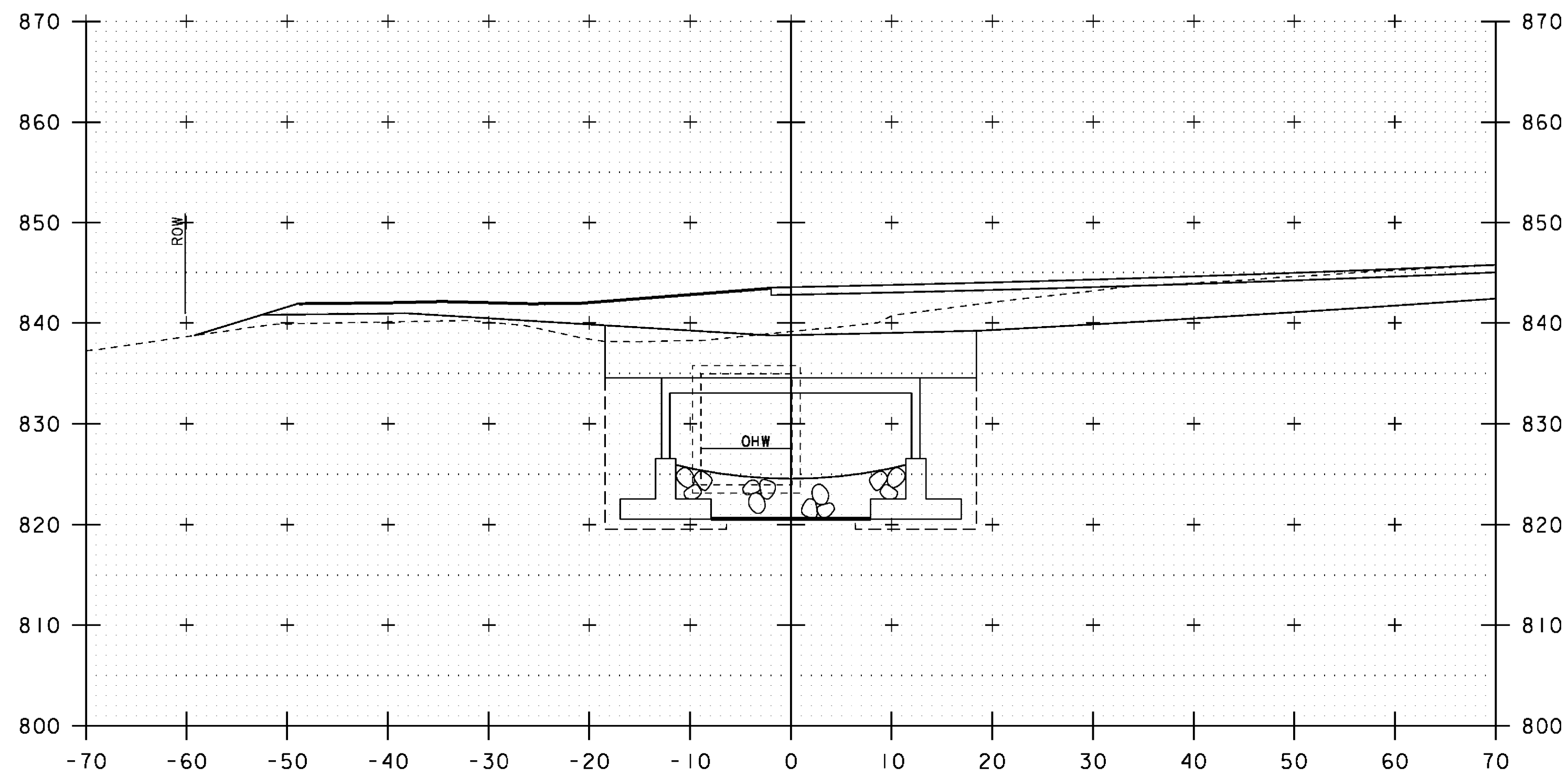


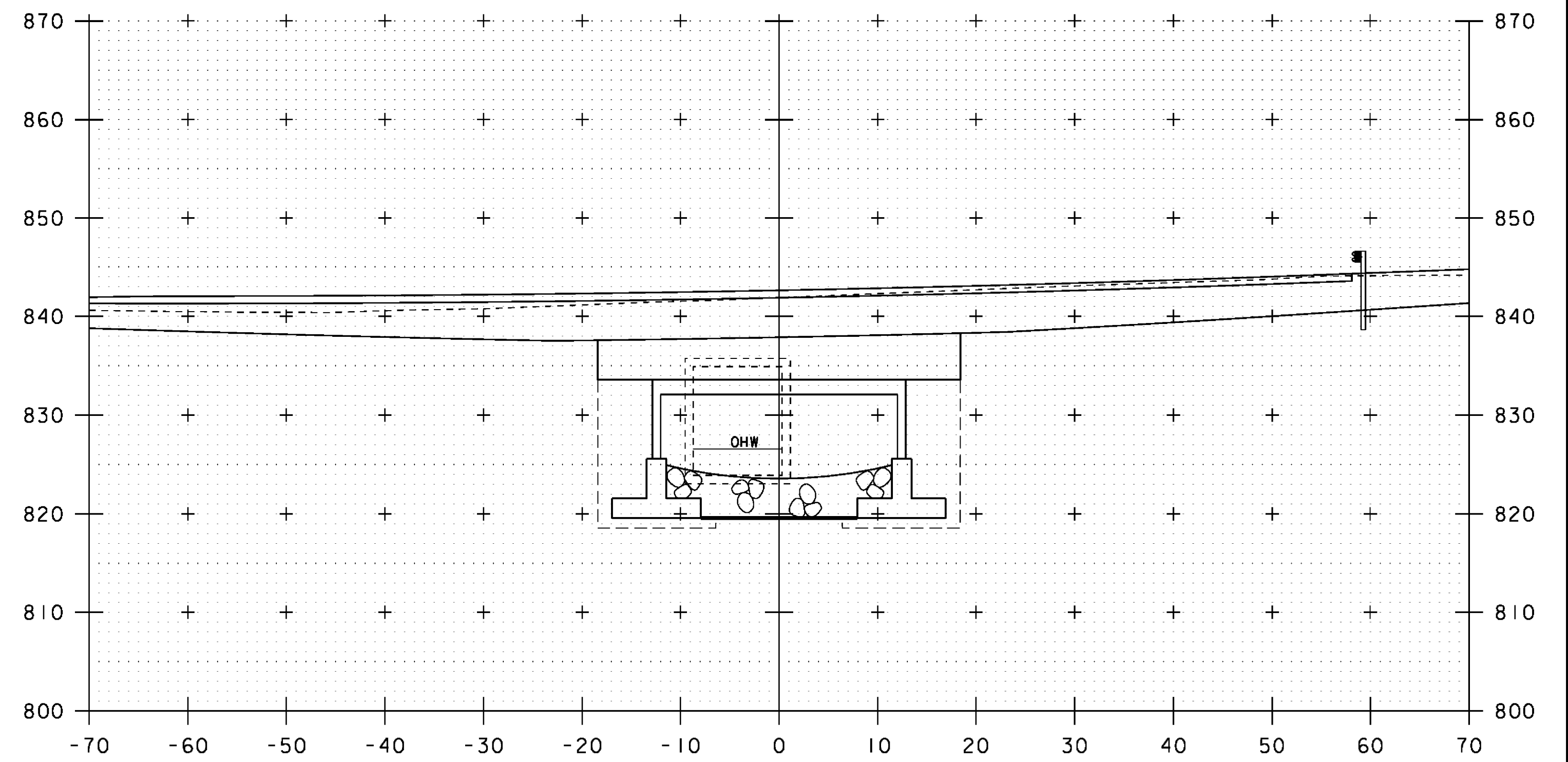
11+50



11+70

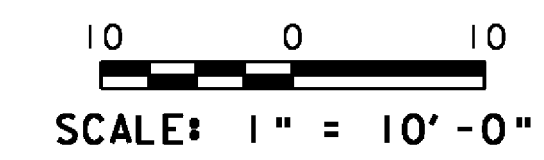


11+40



11+60

NOTE: REVISED SHEET
FOR POST IRENE



STA. 11+40 TO STA. 11+70

PROJECT NAME: PITTSFIELD-STOCKBRIDGE

PROJECT NUMBER: STP 022-1(22)S

FILE NAME: s00b122xsl.dgn

PROJECT LEADER: C. P. WILLIAMS

DESIGNED BY: G. ROY

CHANNEL CROSS SECTIONS (2)

PLOT DATE: 27-OCT-2011

DRAWN BY: G. ROY

CHECKED BY: R. YOUNG

SHEET 40 OF 41