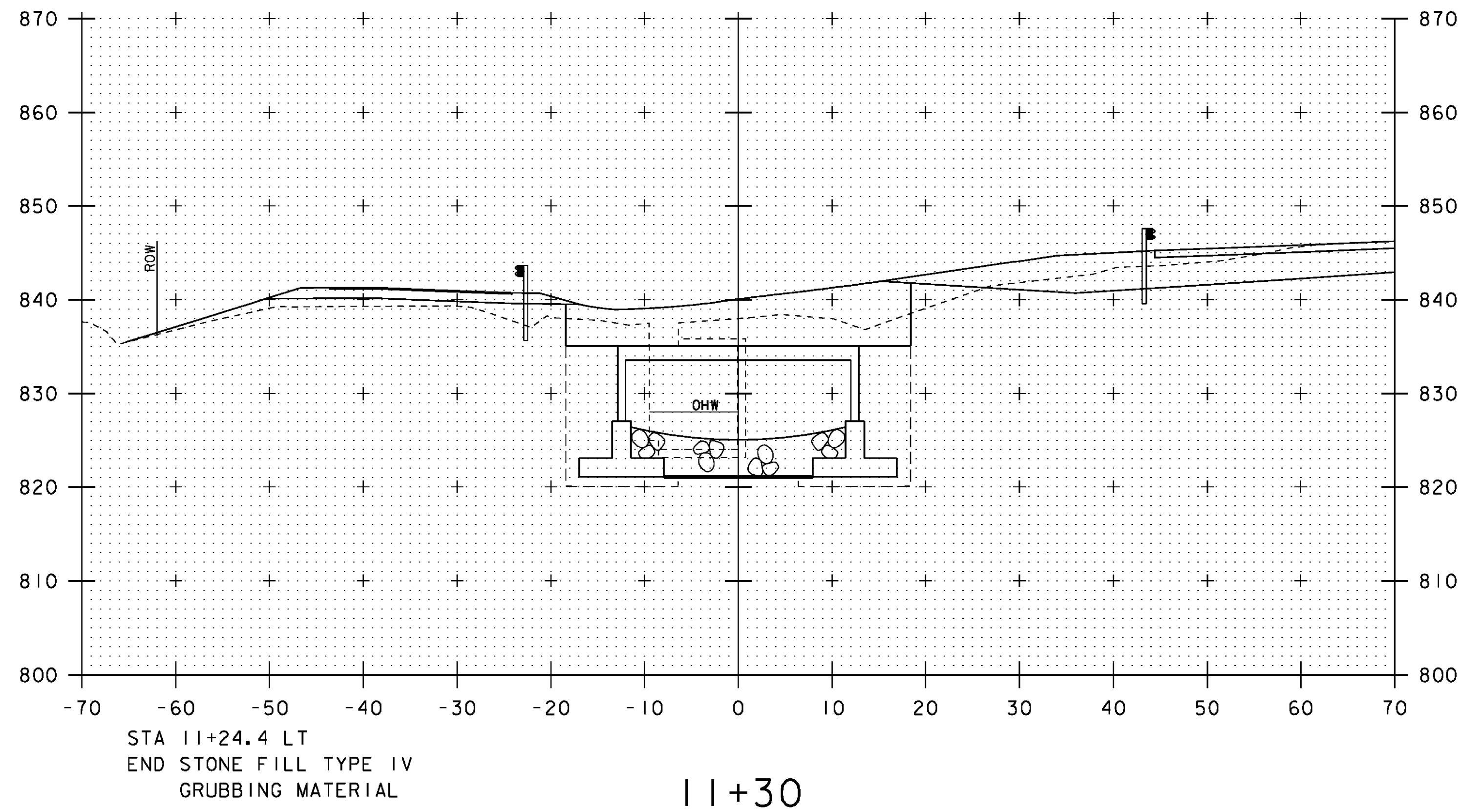
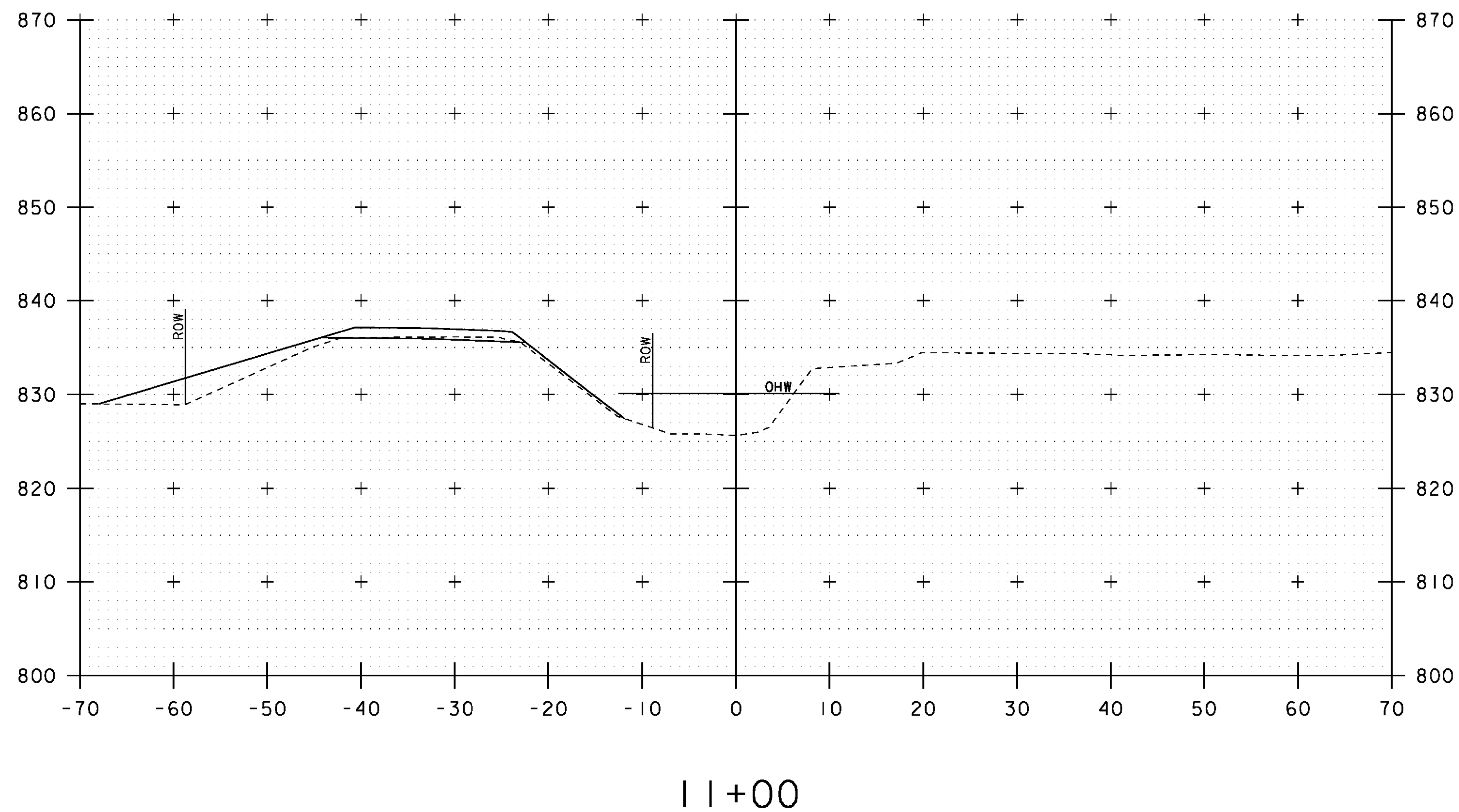


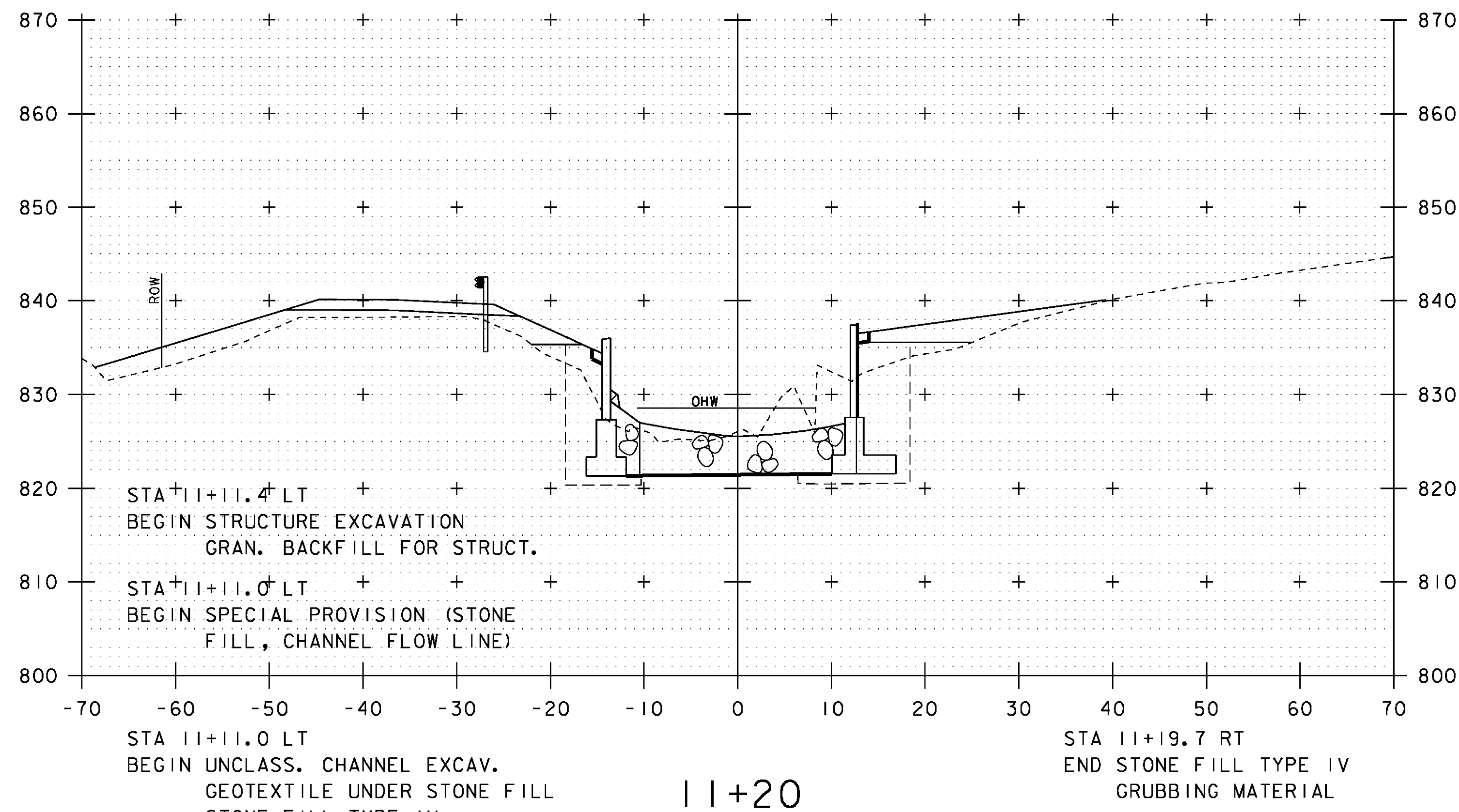
11+10



11+30

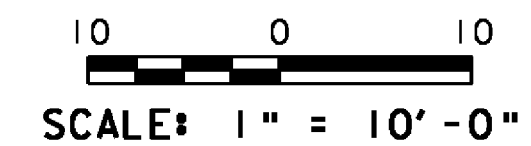


11+00



11+20

NOTE: REVISED SHEET FOR POST IRENE



STA. 11+00 TO STA. 11+30

PROJECT NAME:	PITTSFIELD-STOCKBRIDGE	PLOT DATE:	27-OCT-2011
PROJECT NUMBER:	STP 022-1(22)S	DRAWN BY:	G. ROY
FILE NAME:	s00b122xsl.dgn	CHECKED BY:	R. YOUNG
PROJECT LEADER:	C. P. WILLIAMS	SHEET	39 OF 41
DESIGNED BY:	G. ROY	CHANNEL CROSS SECTIONS (1)	