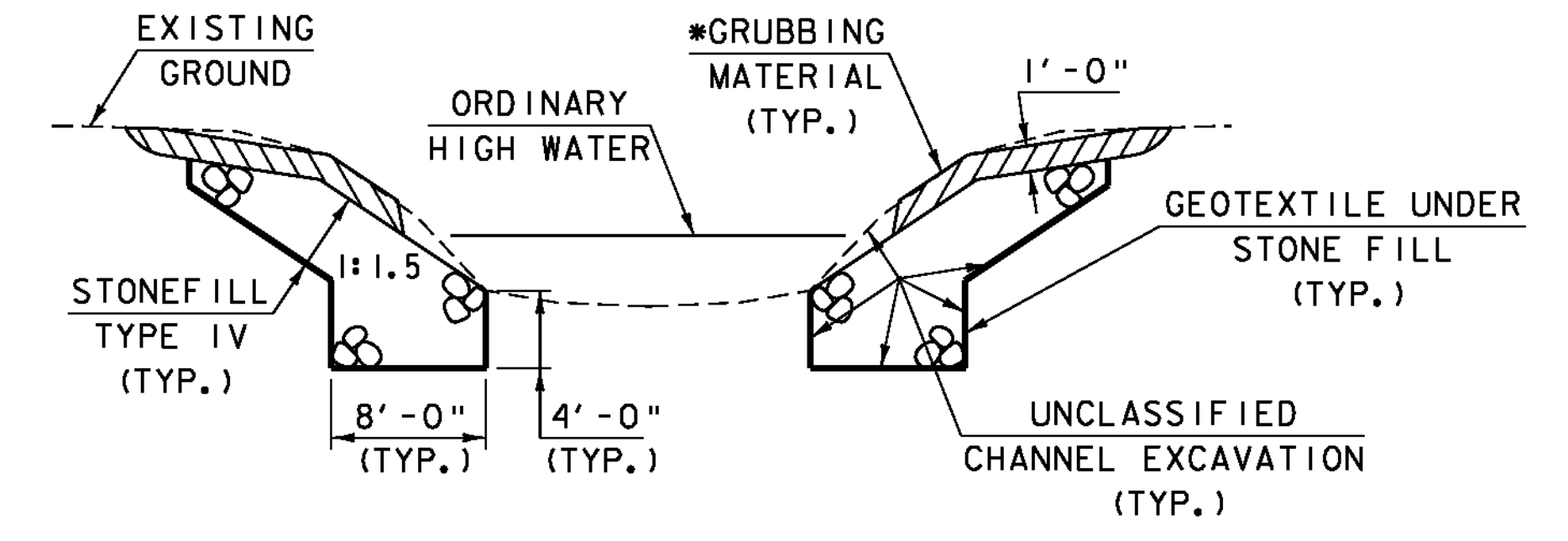


PRECAST CONCRETE STRUCTURE EXCAVATION DETAIL

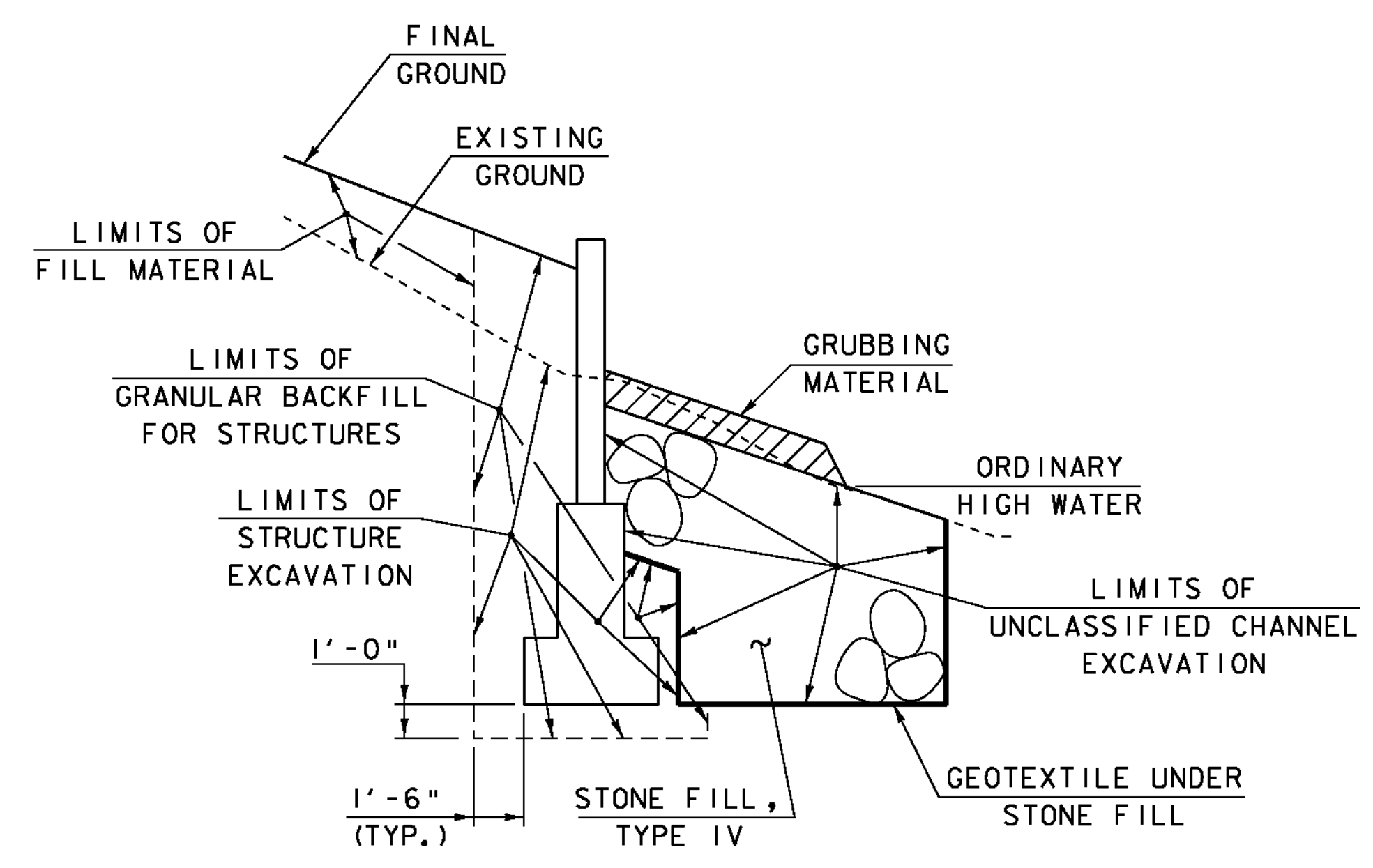
NOT TO SCALE



CHANNEL TYPICAL SECTION

NOT TO SCALE

* GRUBBING MATERIAL SHALL NOT BE PLACED ON THE STONE FILL IN THE AREA UNDER THE BRIDGE. WHENEVER CHANNEL SLOPE INTERSECTS ROADWAY SUBBASE, GRUBBING MATERIAL SHALL BEGIN AT THE BOTTOM OF SUBBASE.



WINGWALL EXCAVATION AND FILL DETAIL

NOT TO SCALE

PROJECT NAME:	PITTSFIELD-STOCKBRIDGE
PROJECT NUMBER:	STP 022-1(22)S
FILE NAME:	s00b122+yp.dgn
PROJECT LEADER:	C. P. WILLIAMS
DESIGNED BY:	G. ROY
EARTHWORK EXCAVATION DETAILS	
PLOT DATE:	02-SEP-2011
DRAWN BY:	G. ROY
CHECKED BY:	R. YOUNG
SHEET	9 OF 41