

646.40 DURABLE 100 mm WHITE LINE (THERMOPLASTIC)  
 (ALL LINES WILL INCLUDE EDGE LINE BREAKS AND RADIUS FOR TOWN HIGHWAYS)

WAITSFIELD:  
 STA. 11+600 - STA. 12+199 LT & RT

646.60 TEMPORARY 100 mm WHITE LINE (PAINT)  
 (ALL LINES WILL INCLUDE EDGE LINE BREAKS AND RADIUS FOR TOWN HIGHWAYS)

WAITSFIELD:  
 STA. 11+600 - STA. 12+199 LT & RT

646.41 DURABLE 100 mm YELLOW LINE (THERMOPLASTIC)  
 (ALL LINES WILL INCLUDE C/L BREAKS FOR TOWN HIGHWAYS) S=SOLID, D=DASHED

WAITSFIELD:  
 STA. 11+600 - STA. 12+199 LT CL RT  
 S - S

646.61 TEMPORARY 100 mm YELLOW LINE (PAINT)  
 (ALL LINES WILL INCLUDE C/L BREAKS FOR TOWN HIGHWAYS) S=SOLID, D=DASHED

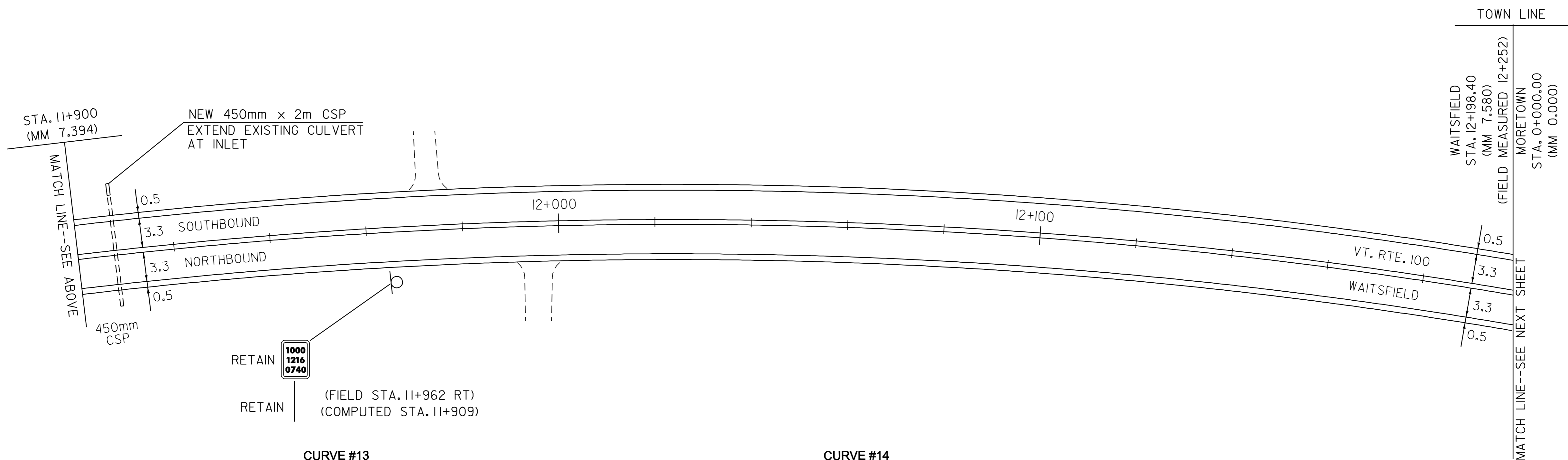
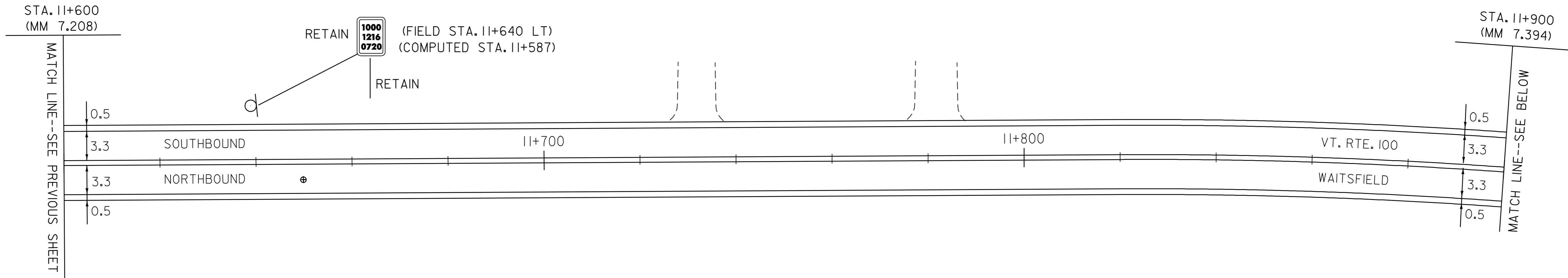
WAITSFIELD:  
 STA. 11+600 - STA. 12+199 LT CL RT  
 S - S

619.17 YIELDING MARKER POSTS

WAITSFIELD:  
 STA. 11+907 LT & RT (2)

DITCHING LOCATION

WAITSFIELD:  
 STA. 11+787 - 11+810 LT  
 STA. 11+907 RT (CLEAN CULV. OUTLET DITCH)



**CURVE #13**  
 PC FIELD STA. 11+912  
 PT FIELD STA. 12+032  
 Δ 6° 30' RT  
 T=60m  
 R=1057m  
 SUPERELEVATION=0.033  
 RUNOFF=23m  
 RUNOUT=30m  
 V=80km/hr (50 m.p.h.)  
 SEE SHEET 53 FOR BANKING DETAIL

**CURVE #14**  
 PC FIELD STA. 12+050  
 PT FIELD STA. 12+130  
 Δ 13° 00' RT  
 T=40m  
 R=351m  
 SUPERELEVATION=0.071  
 RUNOFF=52m  
 RUNOUT=30m  
 V=80km/hr (50 m.p.h.)  
 SEE SHEET 53 FOR BANKING DETAIL

NOT TO SCALE

<b>PAVING PROJECT LAYOUT #10 VT. RTE. 100</b>	PROJECT NAME: WAITSFIELD-MORETOWN	PLOT DATE: 23-MAY-2008 12:3
	PROJECT NUMBER: STP 2227(1)S	DRAWN BY: J. REDMOND
	FILE NAME: /pave/00b058/00b058.dgn	CHECKED BY: J. REDMOND
	DESIGNED BY: J. REDMOND	SHEET 40 OF 54

CORE NO.	LOCATION	DEPTH (mm)
9	11+647 RT	231