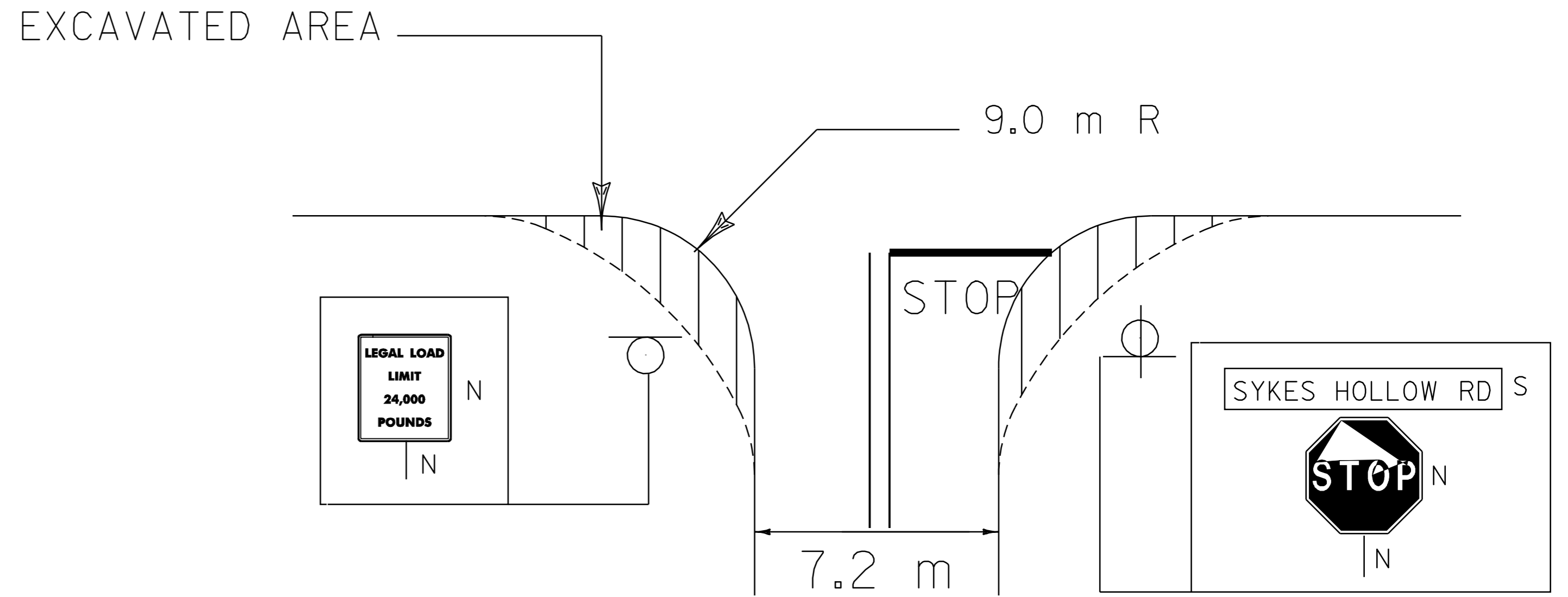
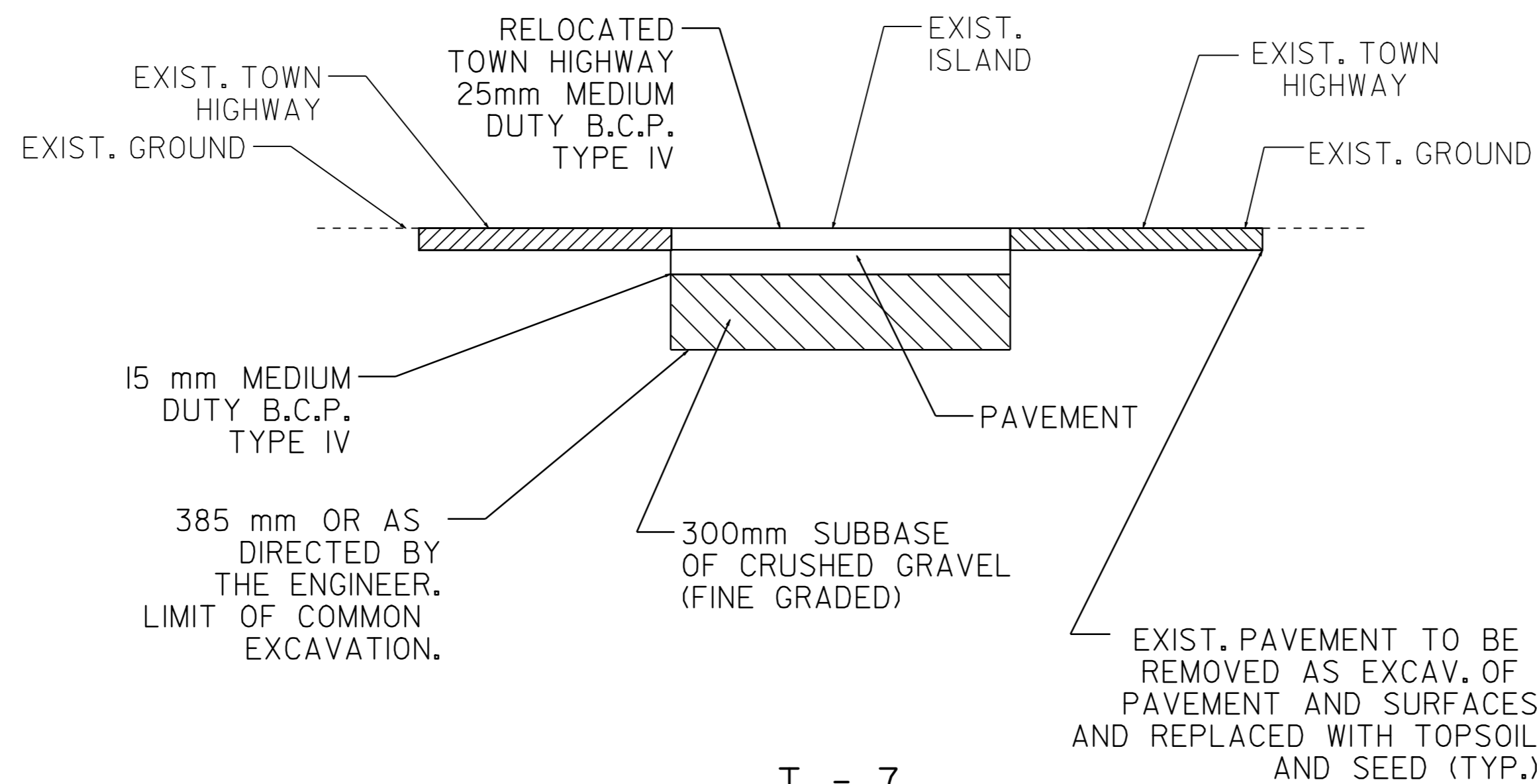


T-7  
 SYKES HOLLOW ROAD  
 MM 2.374 = STA. 3+820.583  
 (ASPHALT)  
 EXISTING CONDITION



T-7  
 SYKES HOLLOW ROAD  
 MM 2.374 = STA. 3+820.583  
 (ASPHALT)  
 PROPOSED CONDITION



T - 7  
 GRASS ISLAND REMOVAL  
 NOT TO SCALE

NOT TO SCALE

DATUM	
VERTICAL	N/A
HORIZONTAL	N/A

<b>SYKES HOLLOW ROAD INTERSECTION DETAIL SHEET</b>	SURVEYED BY	N/A	DATE	N/A
	DRAWN BY	C.A.K.	DATE	4/01
	SQUAD LEADER	T.P.K.		
	DESIGN FILE NO.	/pave/00b048/pb048.dgn		
	IPARM FILE	_pb048int.i	DATE PLOTTED	\$DATE\$
	PROJ. NAME	RUPERT - PAWLET		
	PROJ. NO.	STP 2133(I)S		
	SHEET	40	OF 40	SHEETS