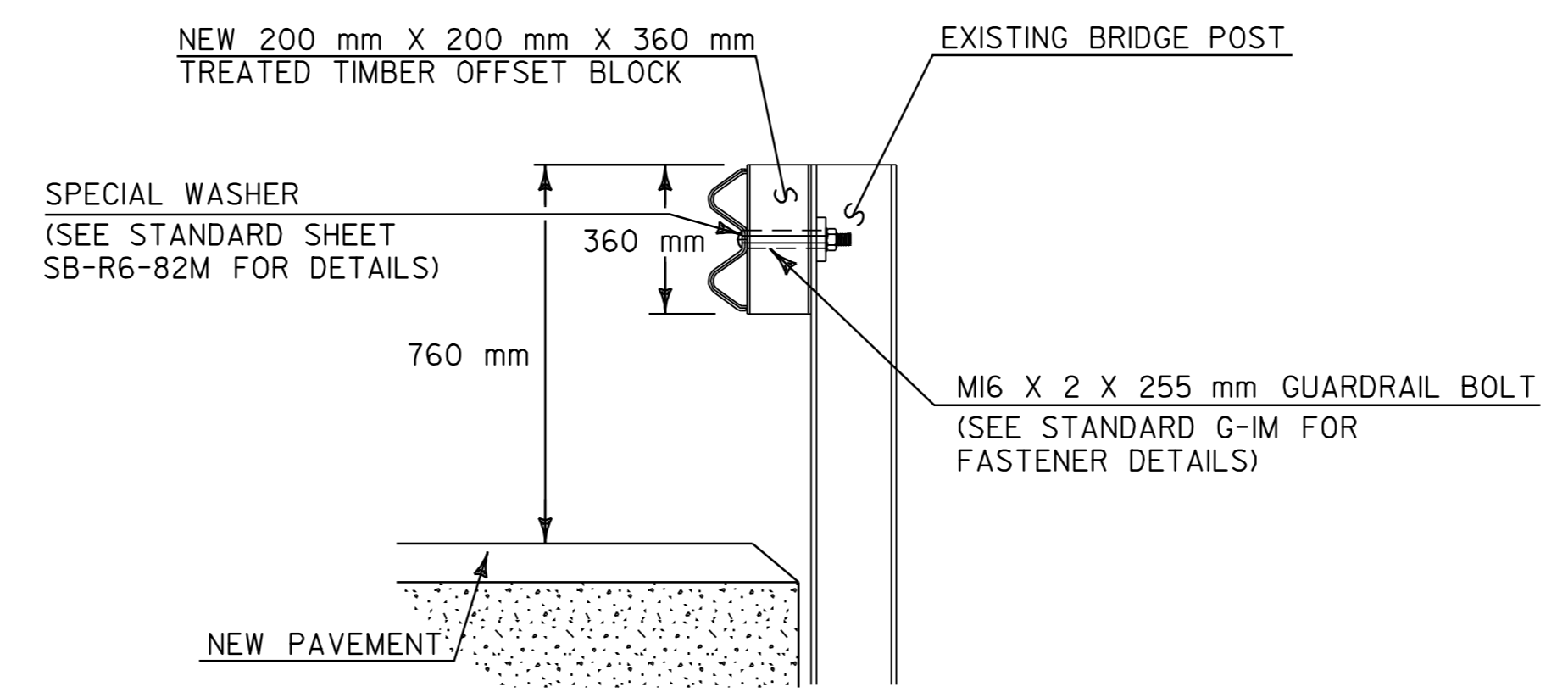


BR 65 RUPERT MM 2.415 = STA. 3+886.566
NOT TO SCALE



BR 65 BRIDGE POST DETAIL
NOT TO SCALE

DATUM	
VERTICAL	N/A
HORIZONTAL	N/A

BRIDGE DETAIL SHEET 4	SURVEYED BY	N/A	DATE	N/A
	DRAWN BY	C.A.K.	DATE	4/01
	SQUAD LEADER	T.P.K.		
	DESIGN FILE NO.	/pave/00b048/pb048.dgn		
	IPARM FILE	pb048bd4.i	DATE PLOTTED	\$DATE\$
PROJ. NAME	RUPERT - PAWLET			
PROJ. NO.	STP 2133(I)S			
SHEET	32	OF	40	SHEETS