

646.40 DURABLE 100 mm WHITE LINE  
(ALL LINES WILL INCLUDE EDGE LINE BREAKS AND RADIUS FOR TOWN HIGHWAYS)

RUPERT:  
STA. 0+540.0 - STA. 1+080.0 LT & RT

646.60 TEMPORARY 100 mm WHITE LINE  
(ALL LINES WILL INCLUDE EDGE LINE BREAKS AND RADIUS FOR TOWN HIGHWAYS)

RUPERT:  
STA. 0+540.0 - STA. 1+080.0 LT & RT

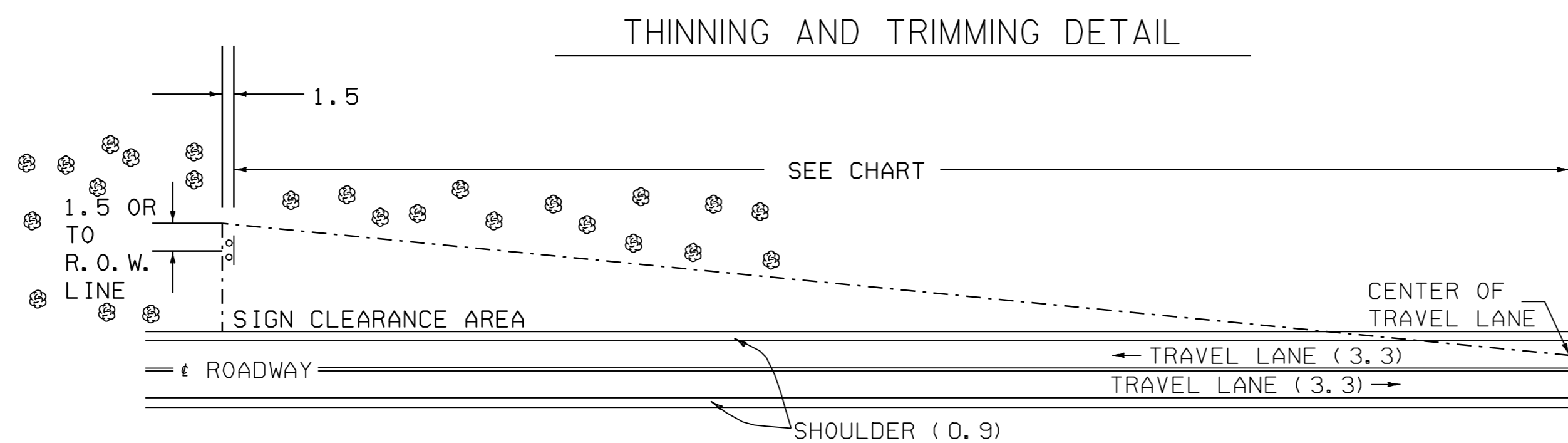
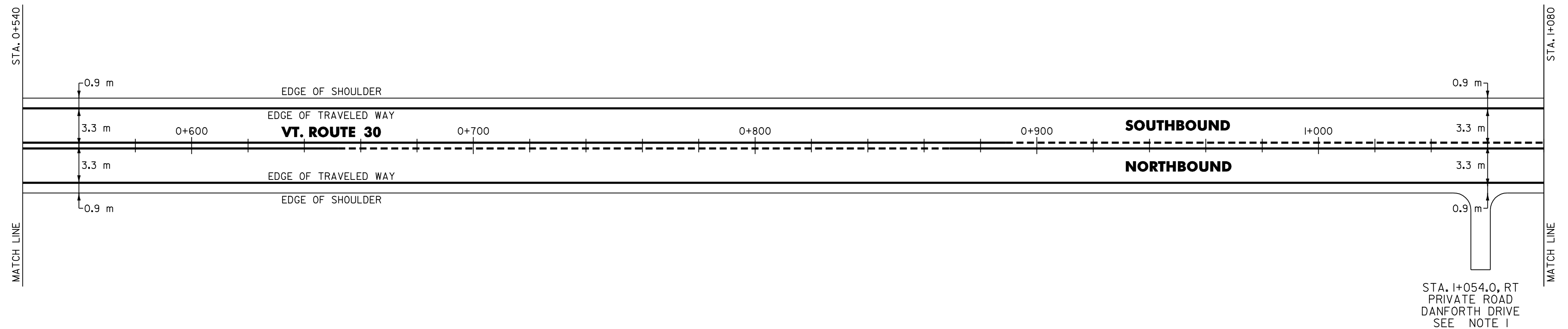
646.41 DURABLE 100 mm YELLOW LINE  
(ALL LINES WILL INCLUDE C/L BREAKS FOR TOWN HIGHWAYS) S=SOLID, D=DASHED

RUPERT: LT C RT  
STA. 0+540.0 - STA. 0+652.0 S - S  
STA. 0+652.0 - STA. 0+869.0 S - D  
STA. 0+869.0 - STA. 0+893.0 S - S  
STA. 0+893.0 - STA. 1+080.0 D - S

646.61 TEMPORARY 100 mm YELLOW LINE  
(ALL LINES WILL INCLUDE C/L BREAKS FOR TOWN HIGHWAYS) S=SOLID, D=DASHED

RUPERT: LT C RT  
STA. 0+540.0 - STA. 0+652.0 S - S  
STA. 0+652.0 - STA. 0+869.0 S - D  
STA. 0+869.0 - STA. 0+893.0 S - S  
STA. 0+893.0 - STA. 1+080.0 D - S

201.31 THINNING & TRIMMING  
STA. 0+967.0 LT.



THE CONTRACTOR SHALL REMOVE ALL WOODY STEMMED GROWTH INCLUDING BRUSH, SAPLINGS AND TREE LIMBS GROWING WITHIN OR PROJECTING INTO THE CLEARANCE AREA AND DOWN TO GROUND LEVEL. PAYMENT WILL BE FOR THINNING AND TRIMMING FOR SIGNS ITEM 201.31 AND PAID FOR AS EACH. NO CHEMICALS (POISONS OR DEFOLIANTS) WILL BE ALLOWED.

MINIMUM SIGN SIGHT DISTANCE CHART

APPROACH SPEED (km/hr)	SIGHT DISTANCE (meters)
50 OR LESS	91
55	107
65	122
70	137
80	152
90	168

NOTE:

1. PROVIDE A 25 mm TYPE IV 5 m WIDE APRON FOR THE EXISTING PRIVATE ROAD. ANY REQUIRED EXCAVATION SHALL BE PERFORMED AS DIRECTED BY THE RESIDENT ENGINEER AND PAID FOR UNDER ITEM 210.10 OR 608.25.

DATUM	
VERTICAL	N/A
HORIZONTAL	N/A

**PAVING PROJECT LAYOUT**

SURVEYED BY	N/A	DATE	N/A
DRAWN BY	C.A.K.	DATE	4/01
SQUAD LEADER	T.P.K.		
DESIGN FILE NO.	/pave/00b048/pb048.dgn		
IPARM FILE	pb048i02.i	DATE PLOTTED	\$DATE\$
PROJ. NAME	RUPERT - PAWLET		
PROJ. NO.	STP 2133(1)S		
SHEET	9 OF 40	SHEETS	