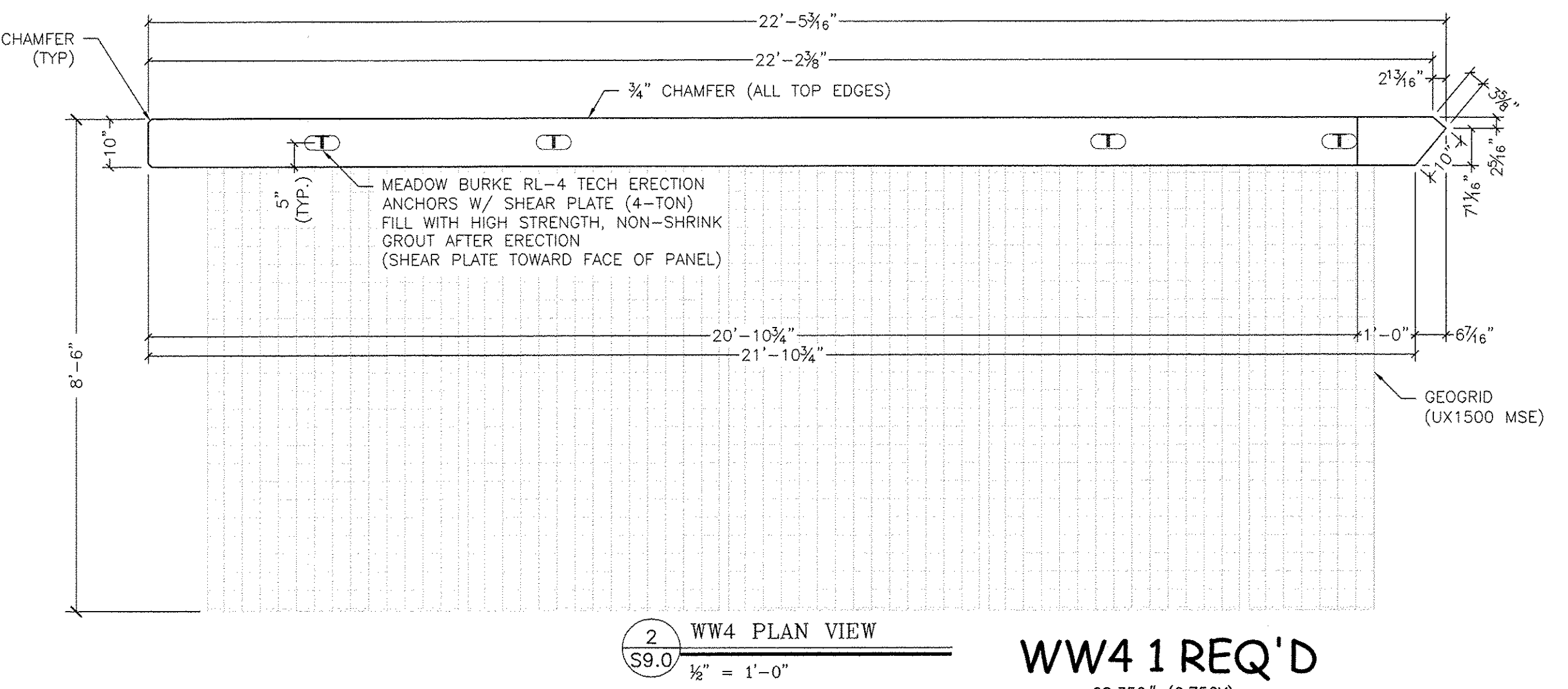
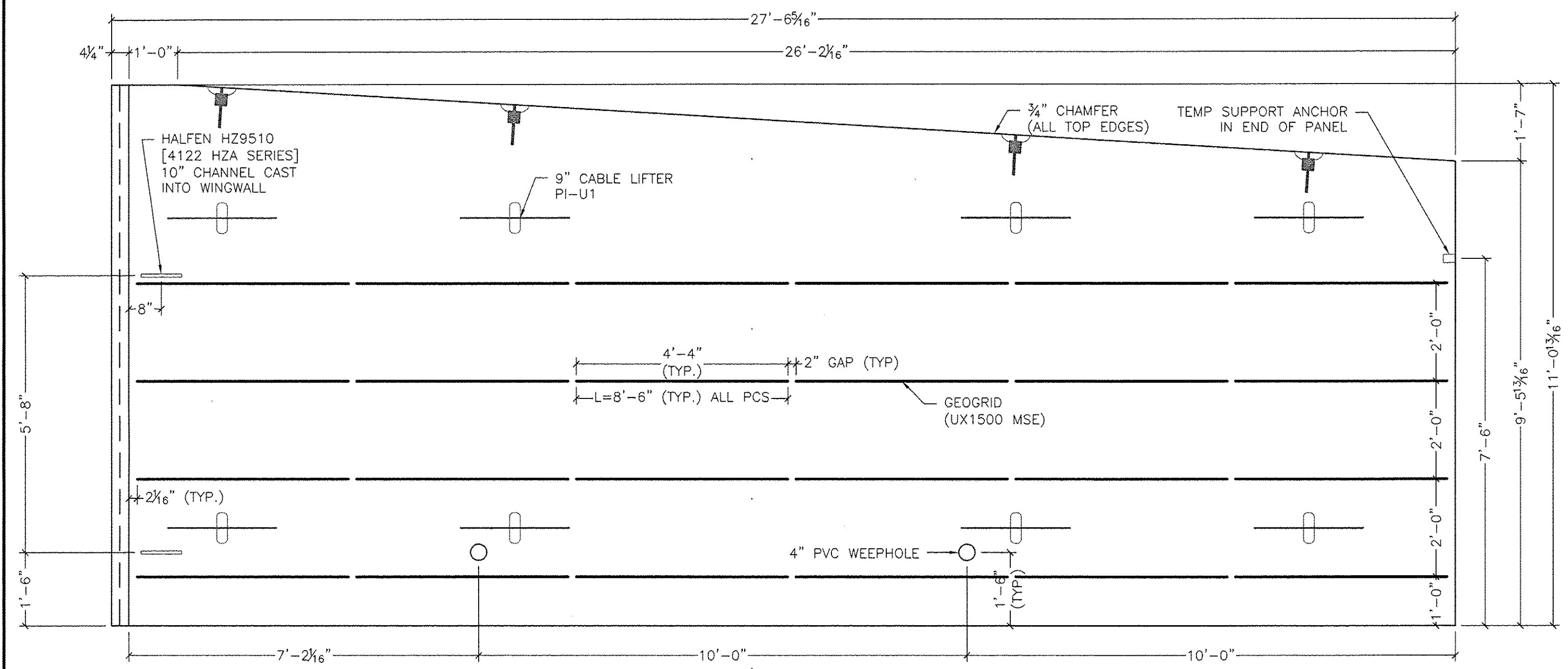


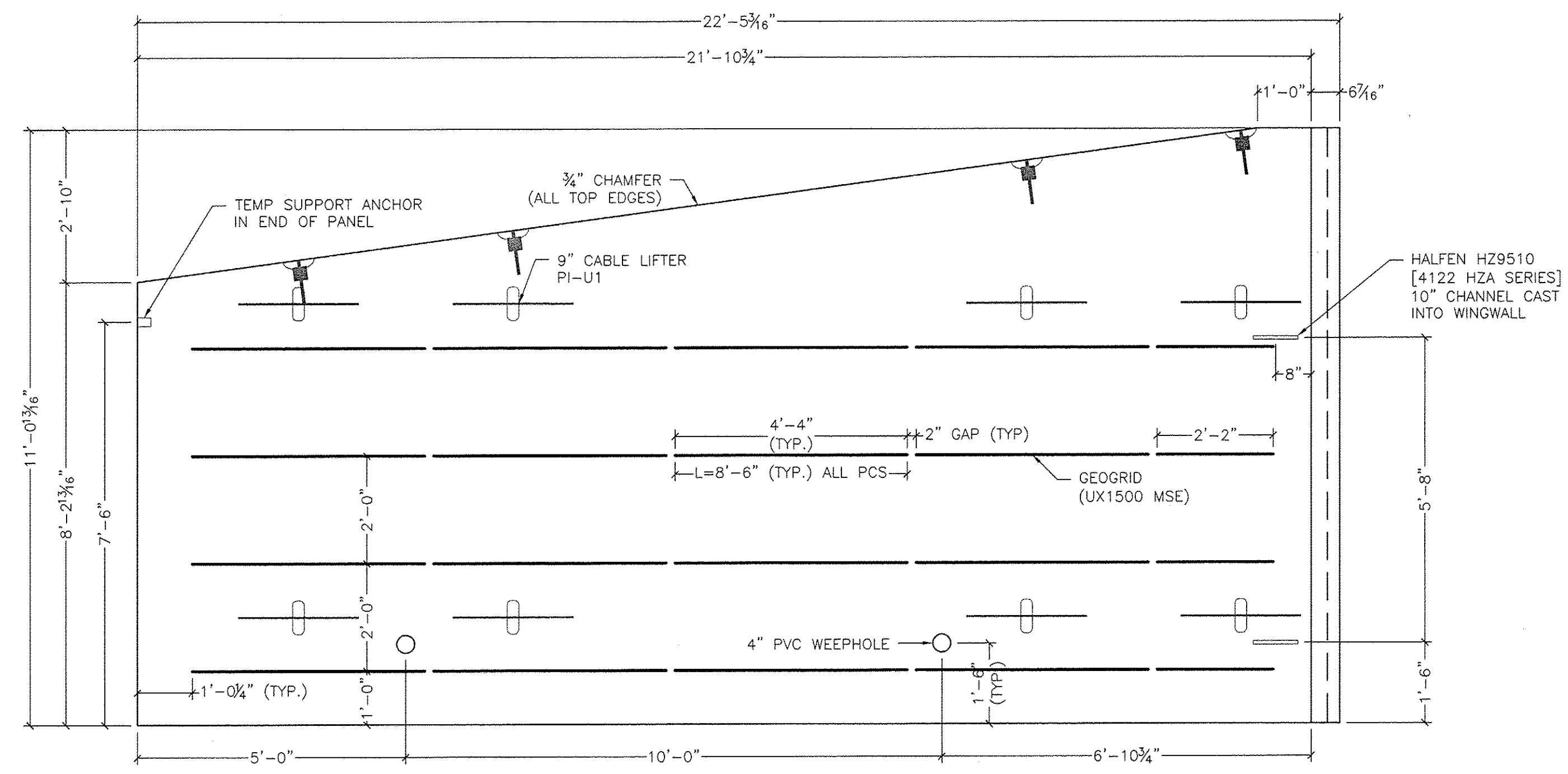
**1**  
S9.0  
WW3 PLAN VIEW  
1/2" = 1'-0"  
**WW3 1 REQ'D**  
34,690# (8.26CY)



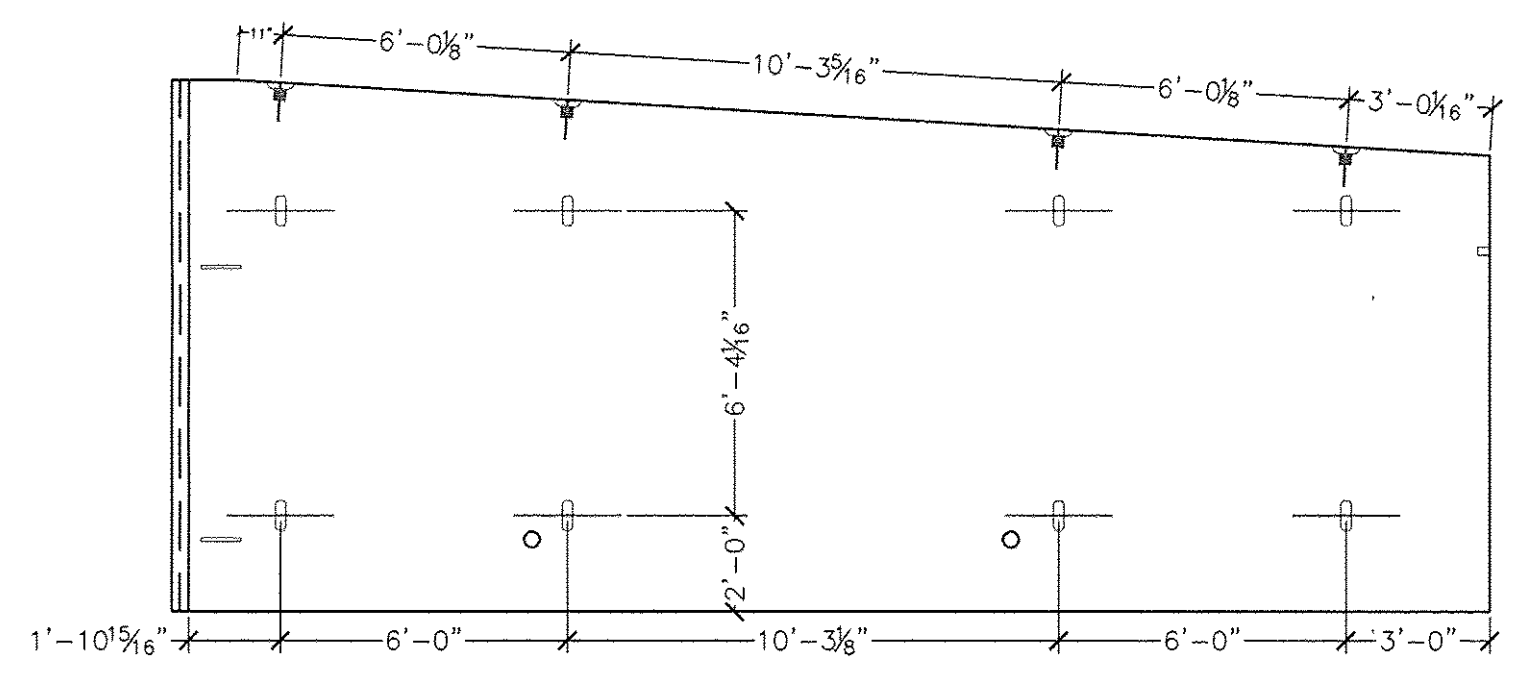
**2**  
S9.0  
WW4 PLAN VIEW  
1/2" = 1'-0"  
**WW4 1 REQ'D**  
28,350# (6.75CY)



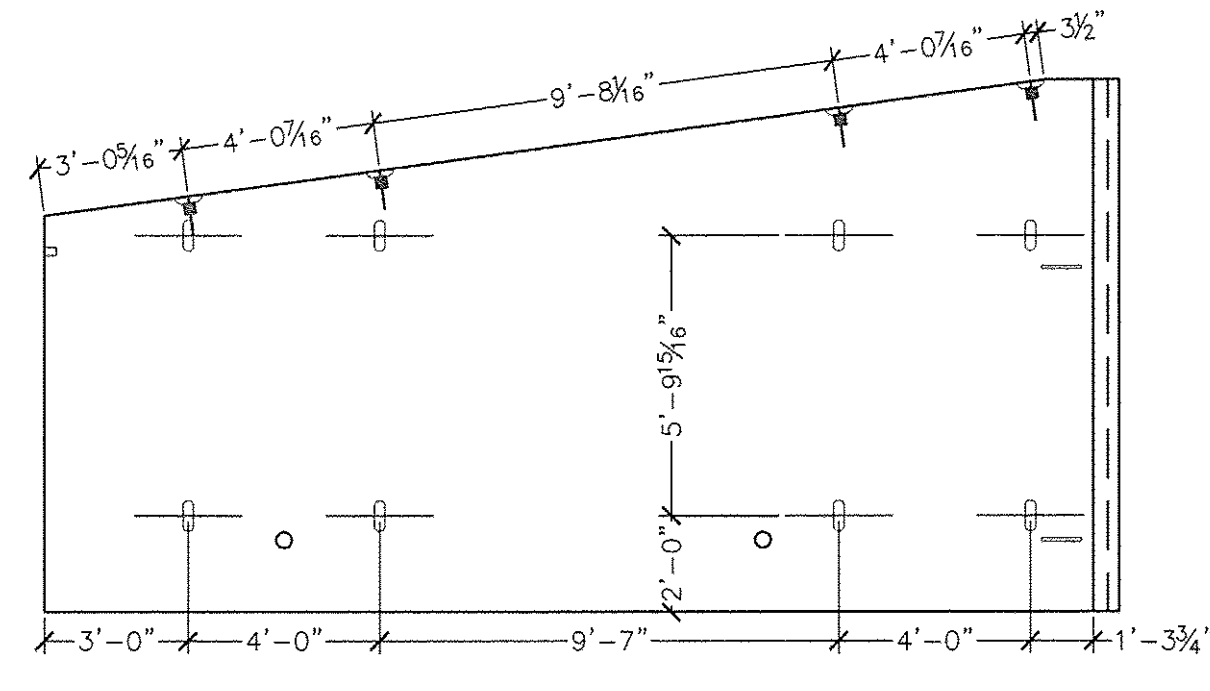
**3**  
S9.0  
WW3 ELEVATION VIEW  
(LOOKING AT BACK)  
1/2" = 1'-0"



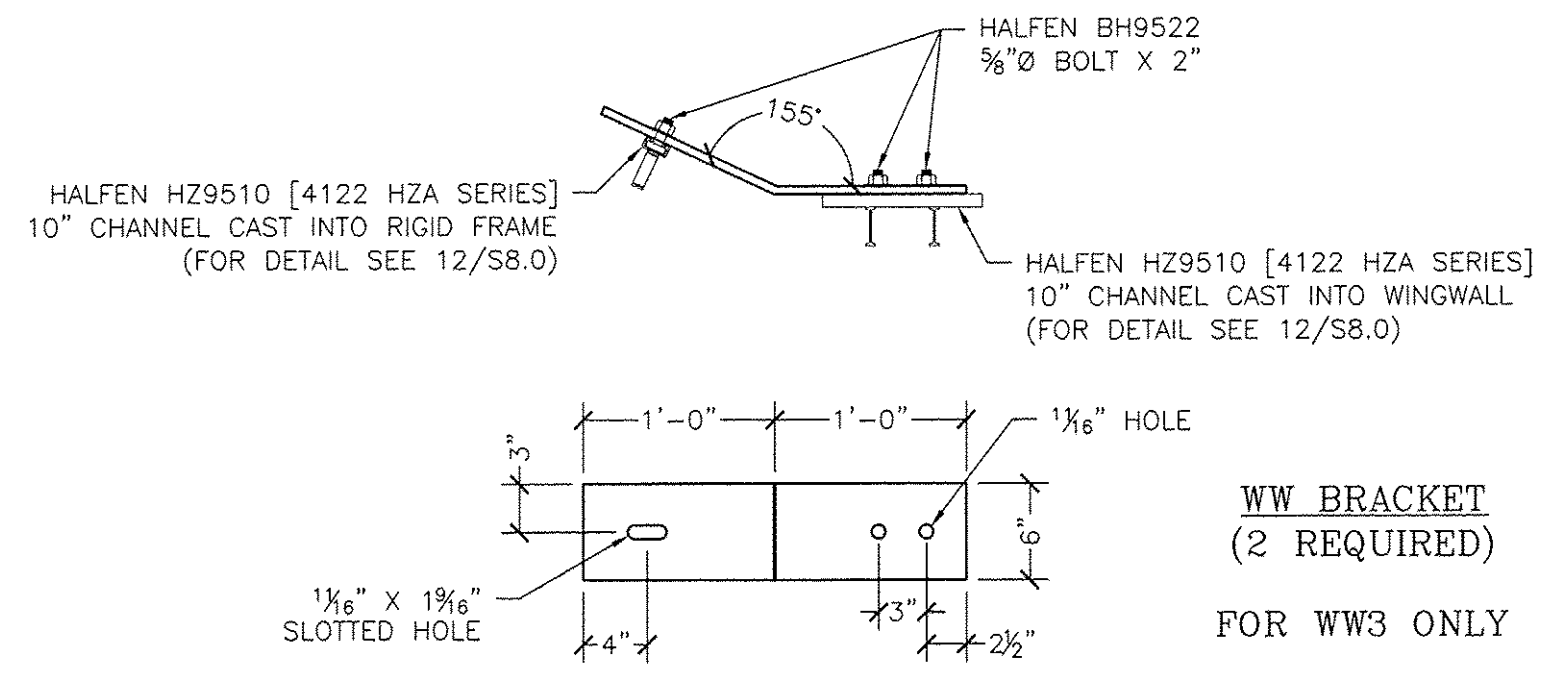
**4**  
S9.0  
WW4 ELEVATION VIEW  
(LOOKING AT BACK)  
1/2" = 1'-0"



**5**  
S9.0  
WW3 LIFTER LAYOUT  
(LOOKING AT BACK)  
1/2" = 1'-0"



**6**  
S9.0  
WW4 LIFTER LAYOUT  
(LOOKING AT BACK)  
1/2" = 1'-0"



PLATES TO BE MADE OF 1/2" A36 C.R.S. STOCK AND BENT AS REQUIRED (HOT DIPPED GALVANIZED AFTER BENDING)

**7**  
S9.0  
WINGWALL BRACKET DETAIL  
1" = 1'-0"

RECEIVED  
MAY 9 1 2009  
APPROVED  
DATE 5/12/09

By	TAF
Revision	REVISER PER VAOT
Date	04/29/2009
No.	Δ

**WHITE MOUNTAIN PRECAST, LLC**  
173 BUXTON INDUSTRIAL DRIVE PO BOX 970  
LUDLOW, VT 05148  
PHONE: 802-428-3218  
FAX: 802-428-7426

**25' Span x 6'-6" Rise Rigid Frame Bridge**  
**Rte 100 Bridge Replacement**  
**Ludlow, VT**

Project No. 5166  
Date: 2/18/2009

Prepared for:  
**Miller Construction, Inc.**  
P.O. Box 86 Rte 5  
Windsor, VT 05087

DWG NO.  
**S9.0**

Scale: AS SHOWN  
Checked by: TAF  
Designed by: TL  
Drawn by: FDH  
Wingwalls WW3 & WW4