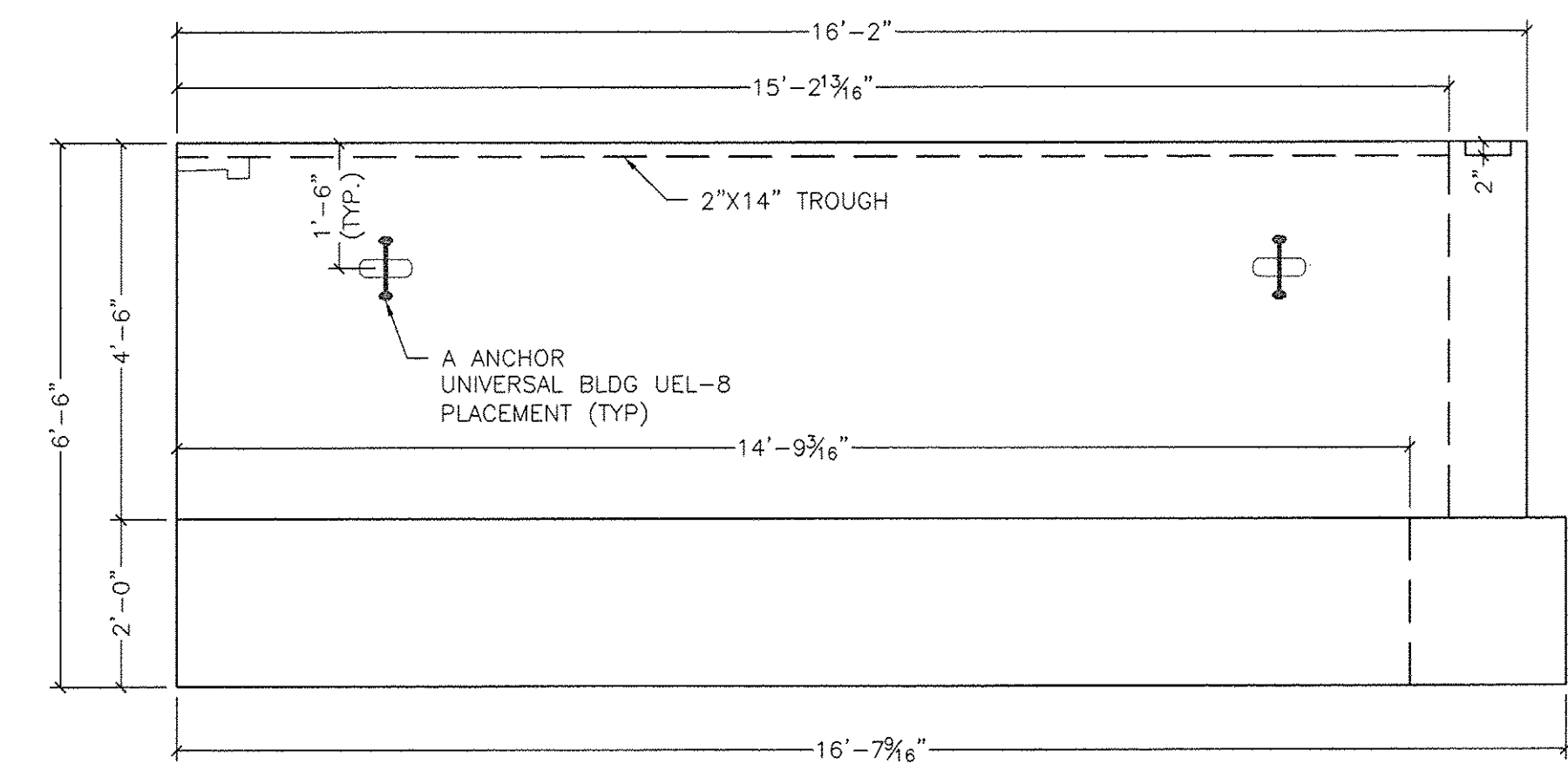
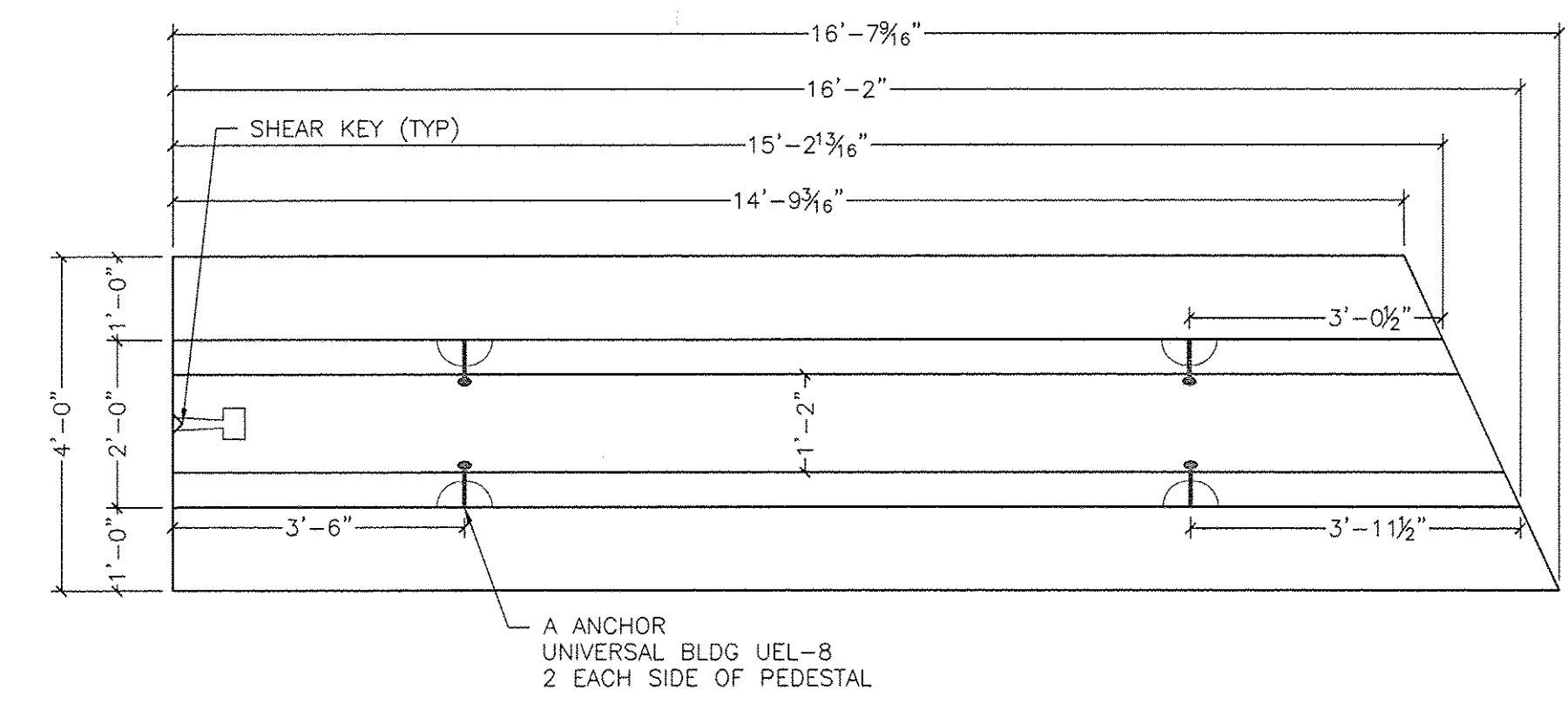


**1 WINGWALL FOOTING CROSS SECTION**  
 S7.0 1/2" = 1'-0"

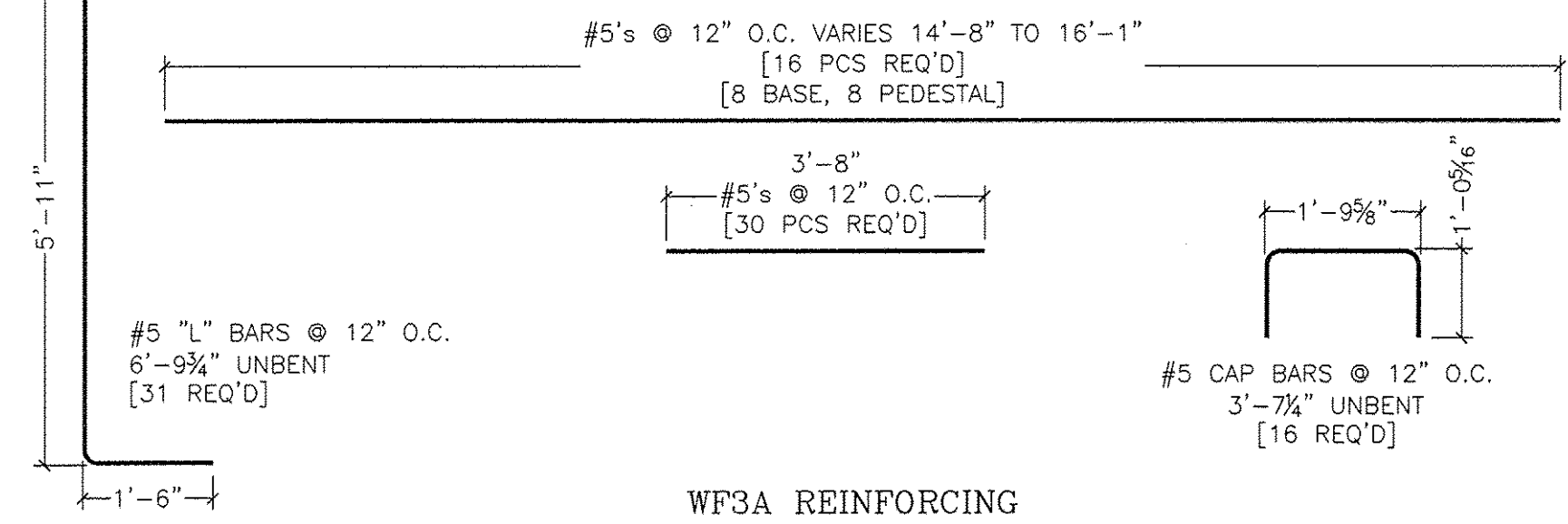


**2A WINGWALL FOOTING (WF3A) ELEVATION**  
 S7.0 1/2" = 1'-0"

**TYPE "WF3A"-1 REQ'D**  
 BASE- 4.65 CY  
 PEDESTAL- 5.23 CY  
 WEIGHT: 41,500#



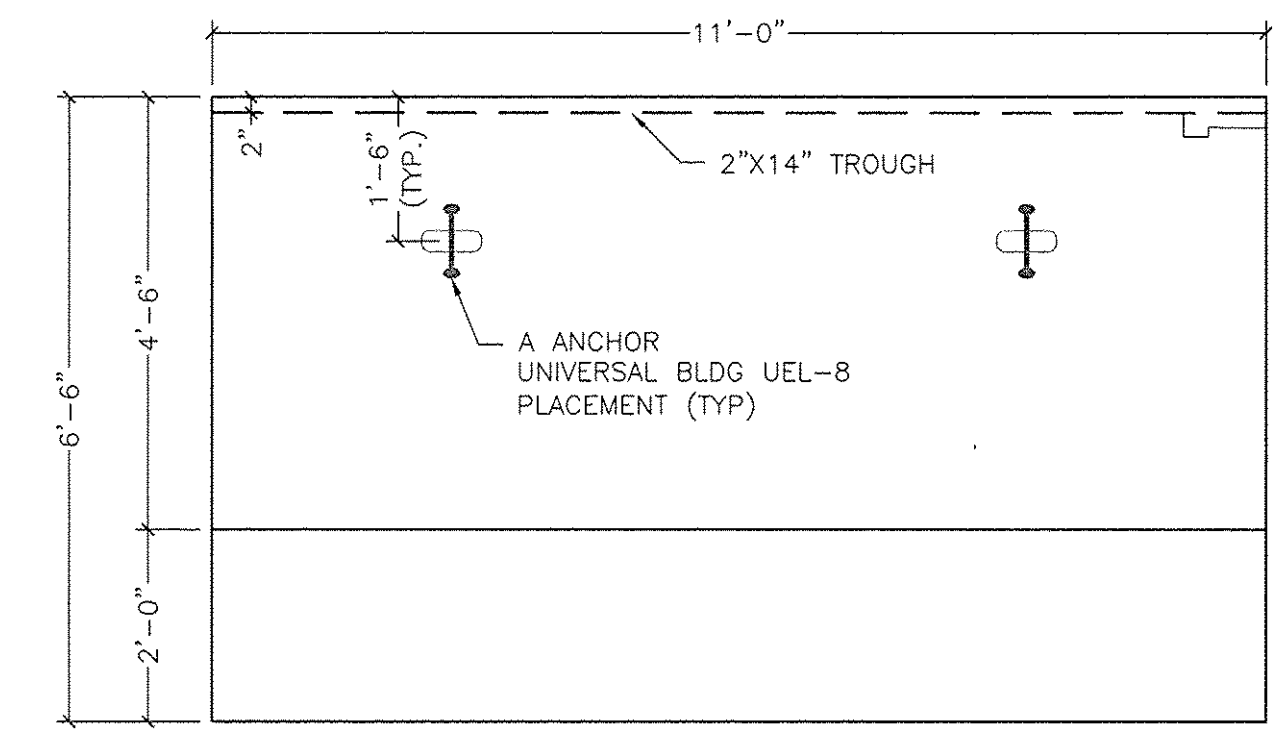
**2B WINGWALL FOOTING (WF3A) PLAN VIEW**  
 S7.0 1/2" = 1'-0"



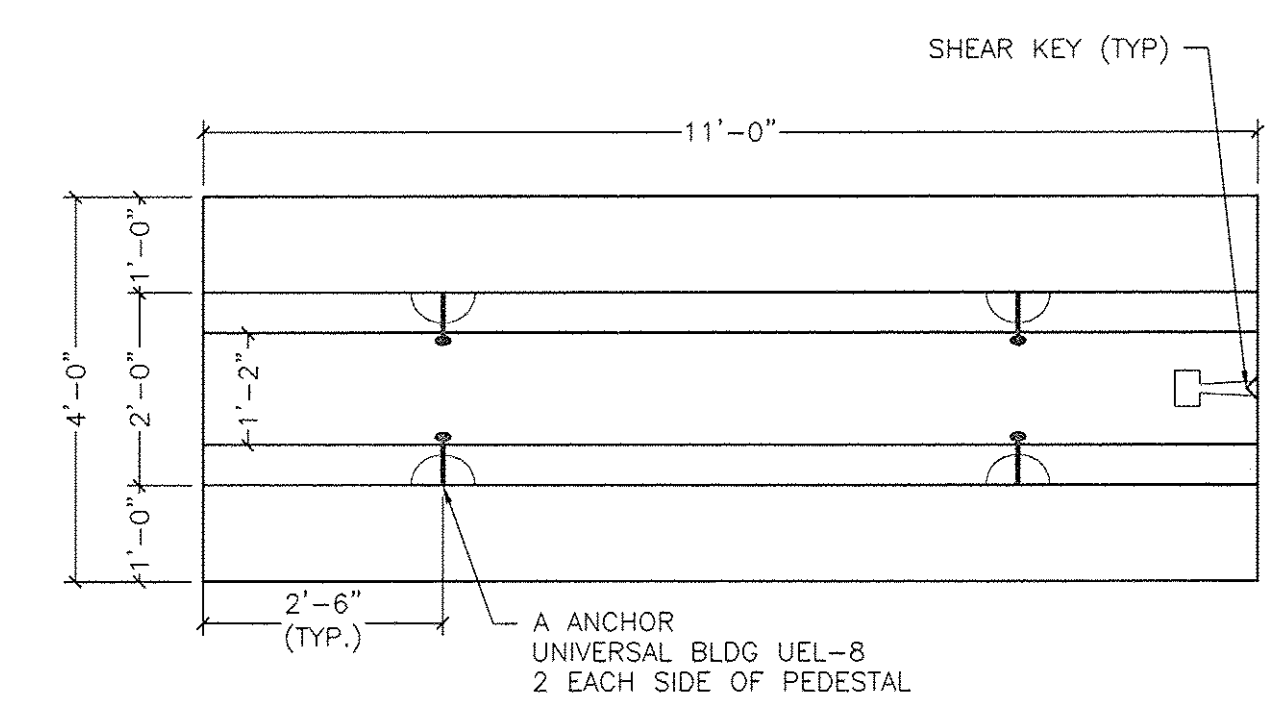
**WF3A REINFORCING**

**TYPE "WF3B"-1 REQ'D**

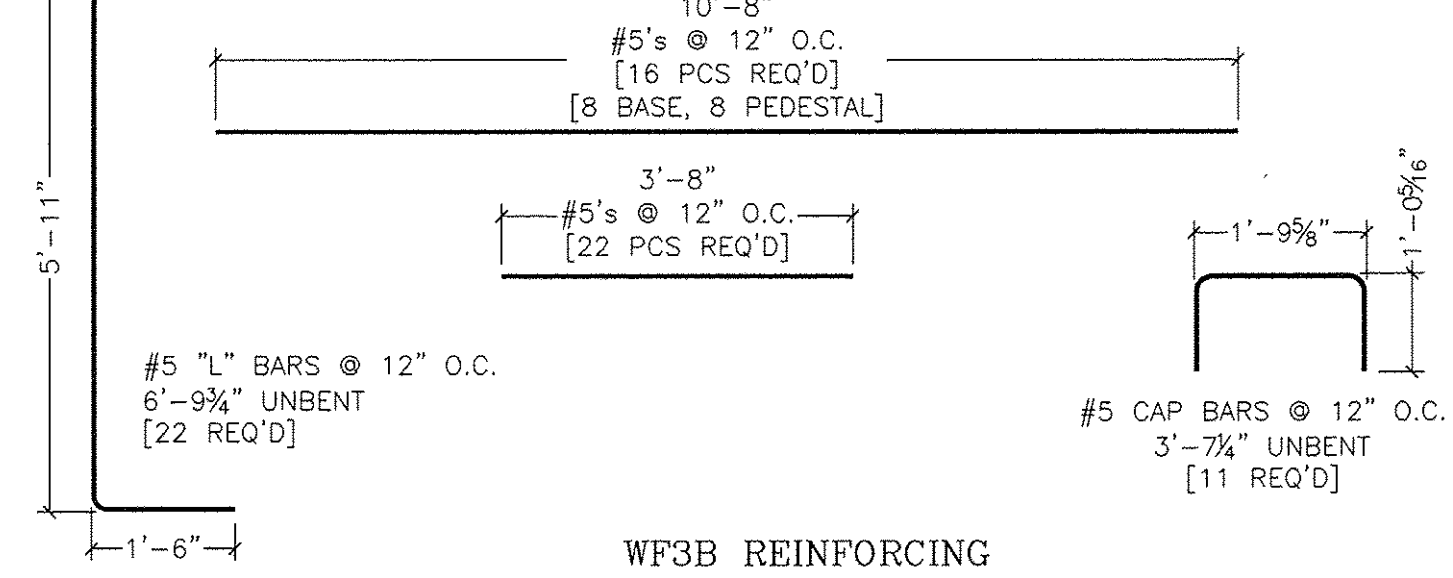
BASE- 2.41 CY  
 PEDESTAL- 3.62 CY  
 WEIGHT: 25,325#



**3A WINGWALL FOOTING (WF3B) ELEVATION**  
 S7.0 1/2" = 1'-0"



**3B WINGWALL FOOTING (WF3B) PLAN VIEW**  
 S7.0 1/2" = 1'-0"



**WF3B REINFORCING**

No.	Date	Revision
1	04/29/2009	REVISED PER VADT

**WHITE MOUNTAIN PRECAST, LLC**  
 173 BUXTON INDUSTRIAL DRIVE/PO BOX 870  
 HENNINGER, NH 03242  
 PHONE: 603-426-3218  
 FAX: 603-426-1426

**25' Span x 6'-6" Rise Rigid Frame Bridge**  
**Rte 100 Bridge Replacement**  
**Ludlow, VT**

Project No. 51166  
 Date: 2/16/2009  
 Wingwall Footings WWF3A, WWF3B  
 Drawn by: TDH  
 Checked by: TAF  
 Scale: AS SHOWN

Prepared for:  
**Miller Construction, Inc.**  
 P.O. Box 86 Rte 5  
 Windsor, VT 05087

RECEIVED  
 OK'D BY: *SS* OK'D BY: *RS*  
 MAY 3 2009  
 RESUBMIT APPROVED  
 BY: *CPW* DATE: *5/12/09*

DWG NO.  
**S7.0**