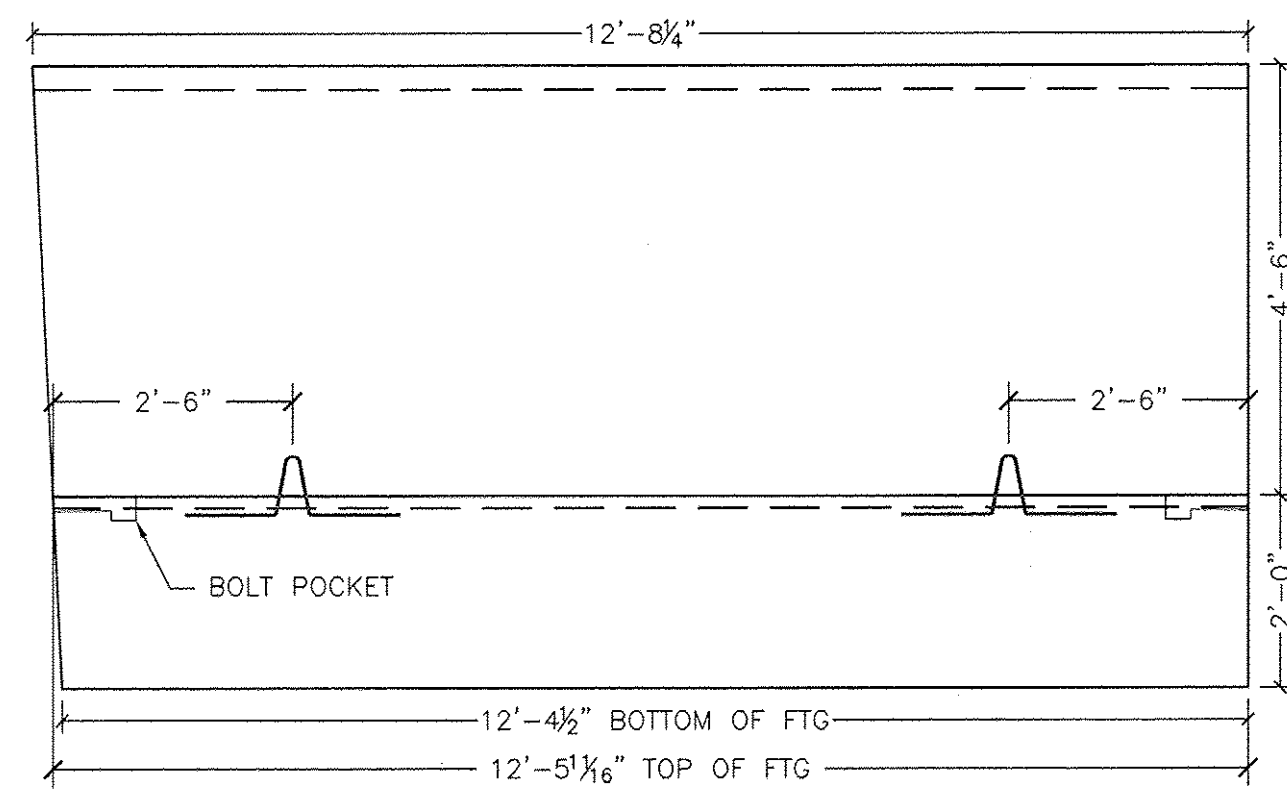
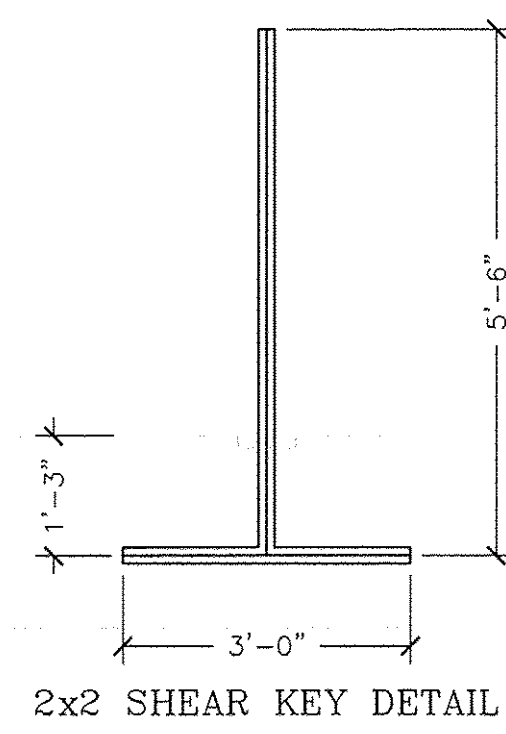
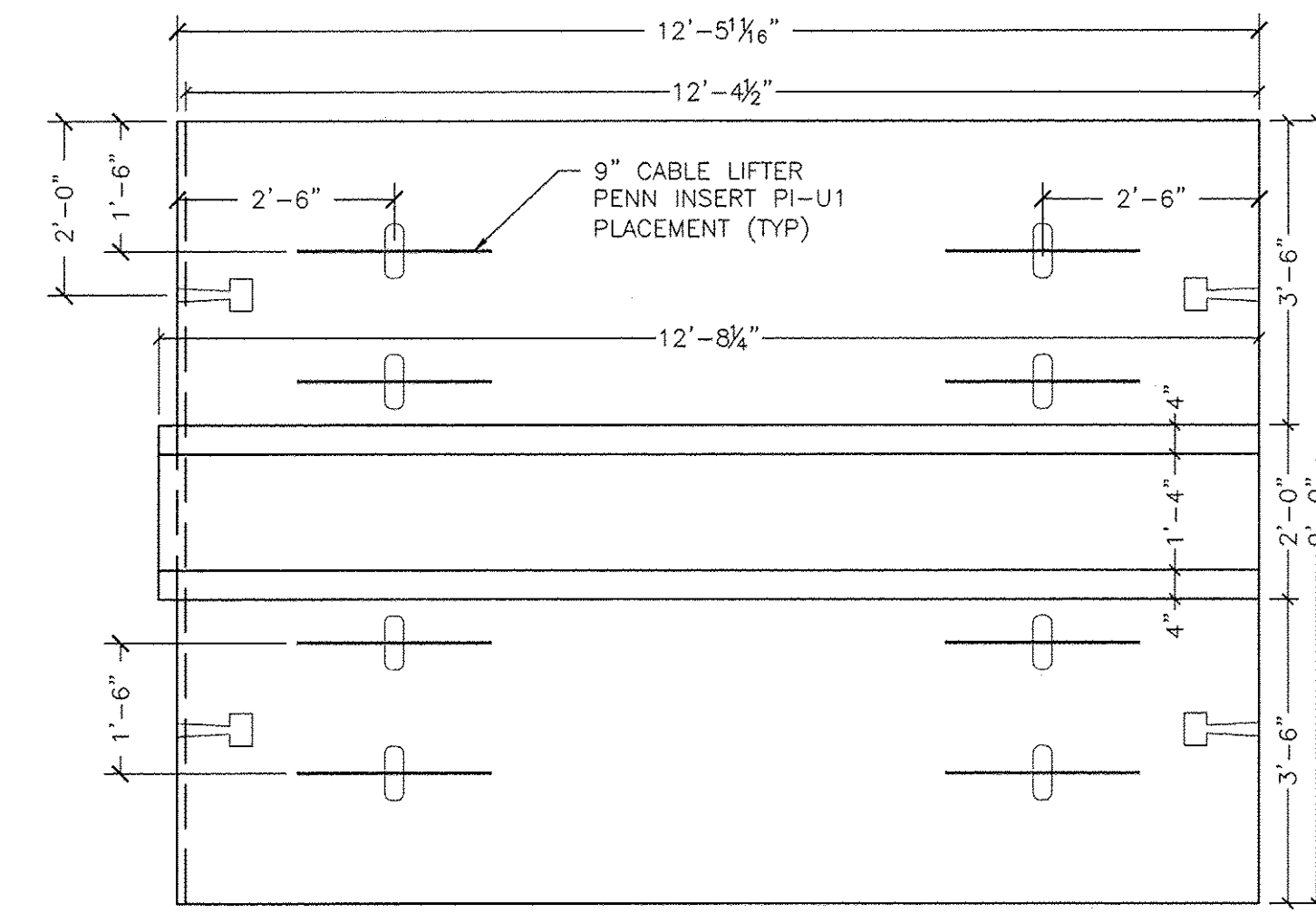


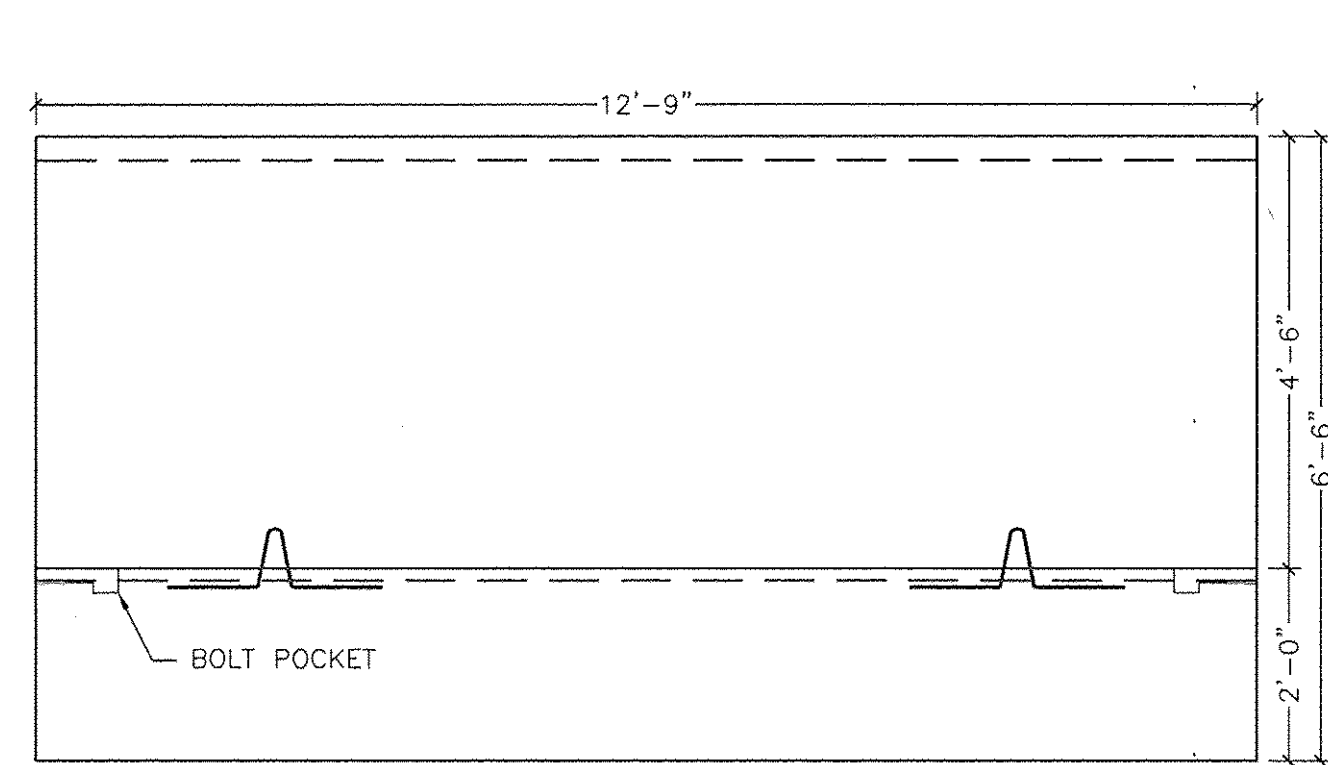
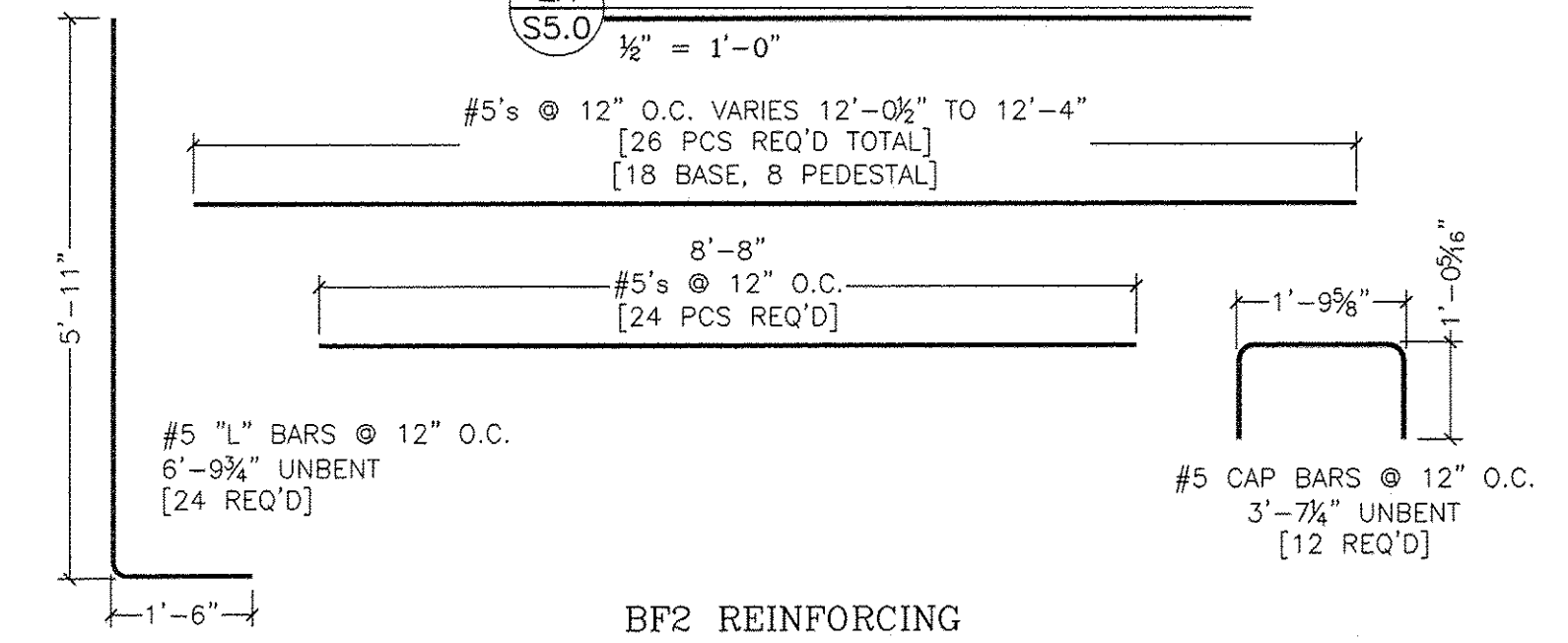
1 TYPICAL BRIDGE FOOTING CROSS SECTION  
S5.0 1/2" = 1'-0"



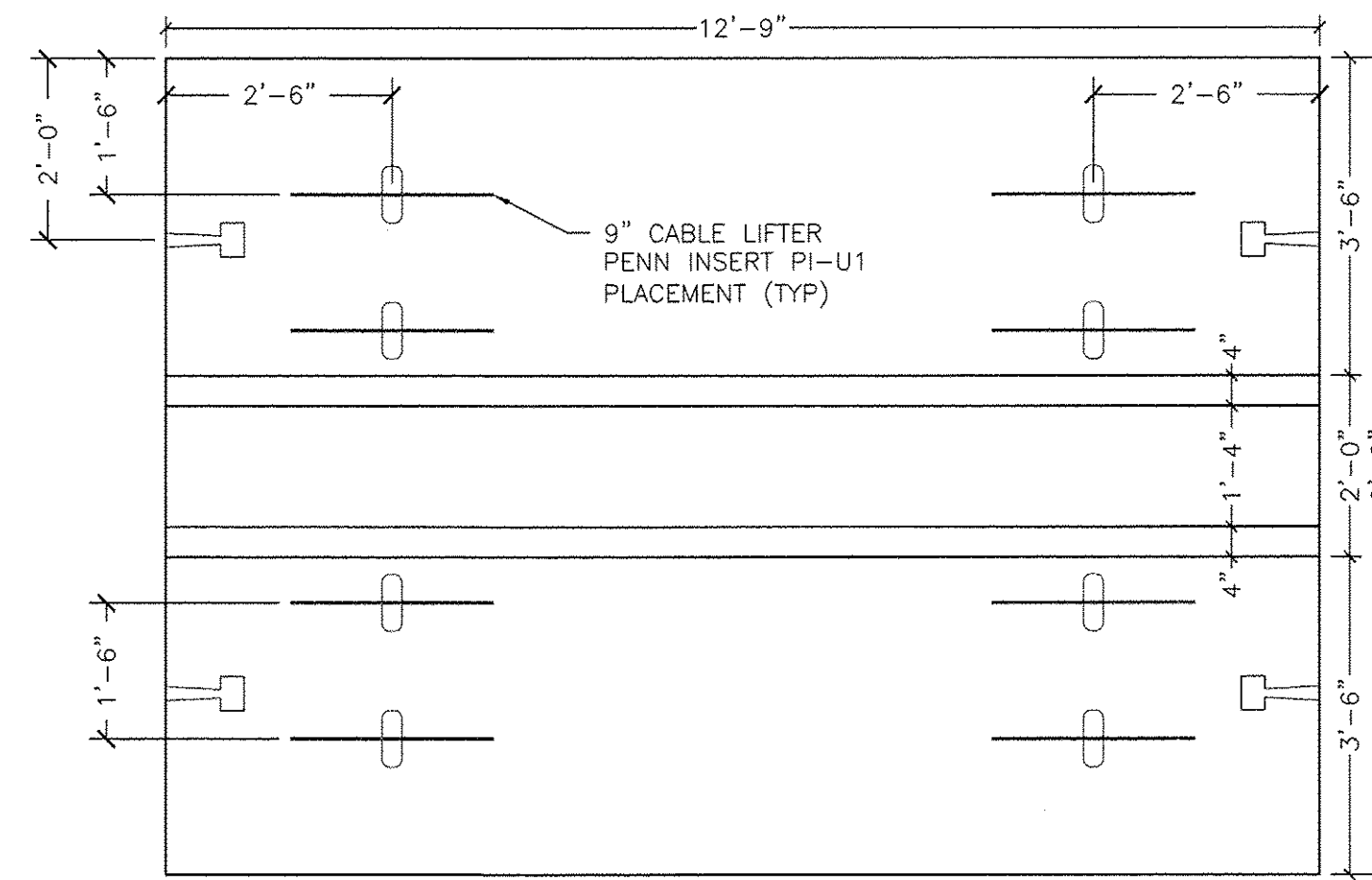
2B BF2 BRIDGE FOOTING ELEVATION  
S5.0 1/2" = 1'-0"  
TYPE "BF2"- 2 REQ'D  
FOOTING- 8.28 CY  
STEM- 4.04 CY  
TOTAL- 12.32 CY (51,750#)



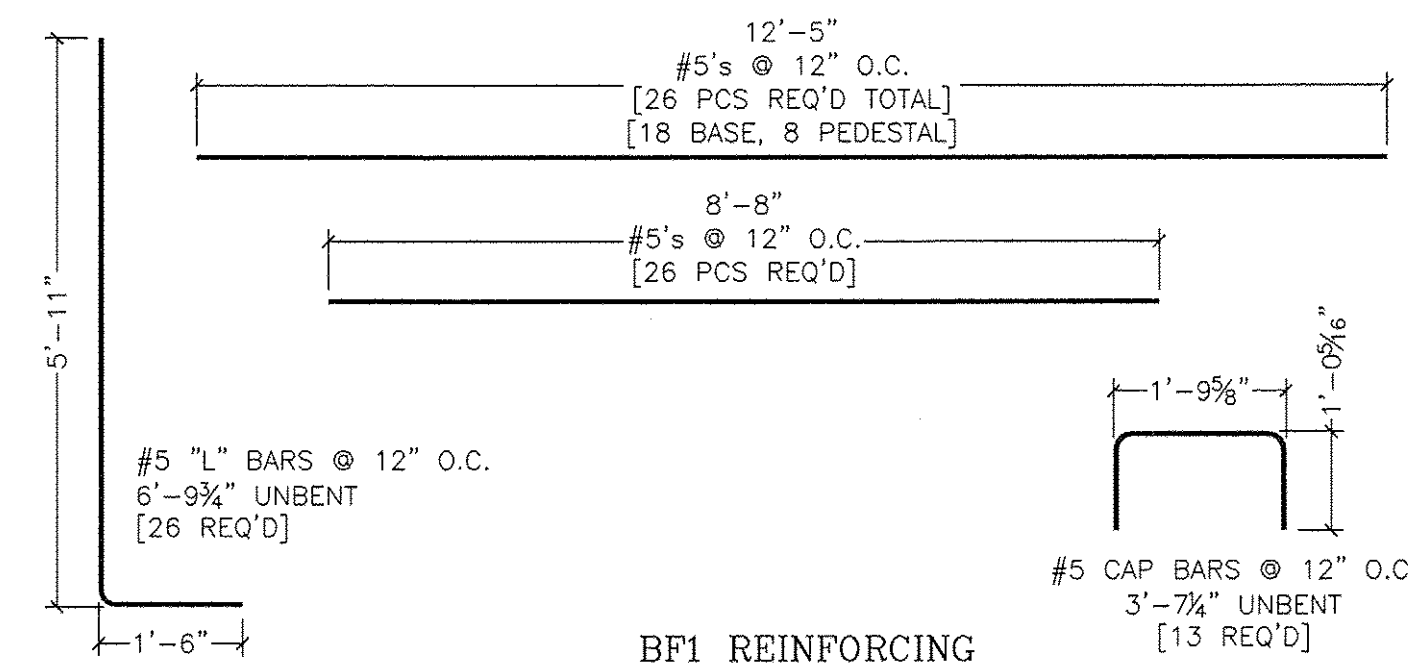
2A BF2 BRIDGE FOOTING PLAN VIEW  
S5.0 1/2" = 1'-0"



3B BF1 BRIDGE FOOTING ELEVATION  
S5.0 1/2" = 1'-0"  
TYPE "BF1"- 16 REQ'D  
FOOTING- 8.46 CY  
STEM- 4.13 CY  
TOTAL- 12.59 CY (52,875#)



3A BF1 BRIDGE FOOTING PLAN VIEW  
S5.0 1/2" = 1'-0"



BF1 REINFORCING

RECEIVED  
CHKD BY LSS OK'D BY KL  
MAY 9 1 2009  
RESUBMIT APPROVED ✓  
BY CPW DATE 5/12/09

WHITE MOUNTAIN PRECAST, LLC  
173 BUXTON INDUSTRIAL DRIVE PO BOX 870  
HENNIKER, NH 03242  
PHONE: 603-428-3218  
FAX: 603-428-1426

25' Span x 6'-6" Rise Rigid Frame Bridge  
Rte 100 Bridge Replacement  
Ludlow, VT

Bridge Footings BF1 & BF2

Project No. 5196  
Date: 2/19/2009

Scale: AS SHOWN

Checked by: TAF

Designed by: TL

Drawn by: PDH

REVISION PER VAOT

Date

No.

Revision

By

TAF

Prepared for:  
Miller Construction, Inc.  
P.O. Box 86 Rte 5  
Windsor, VT 05087

DWG NO.  
S5.0