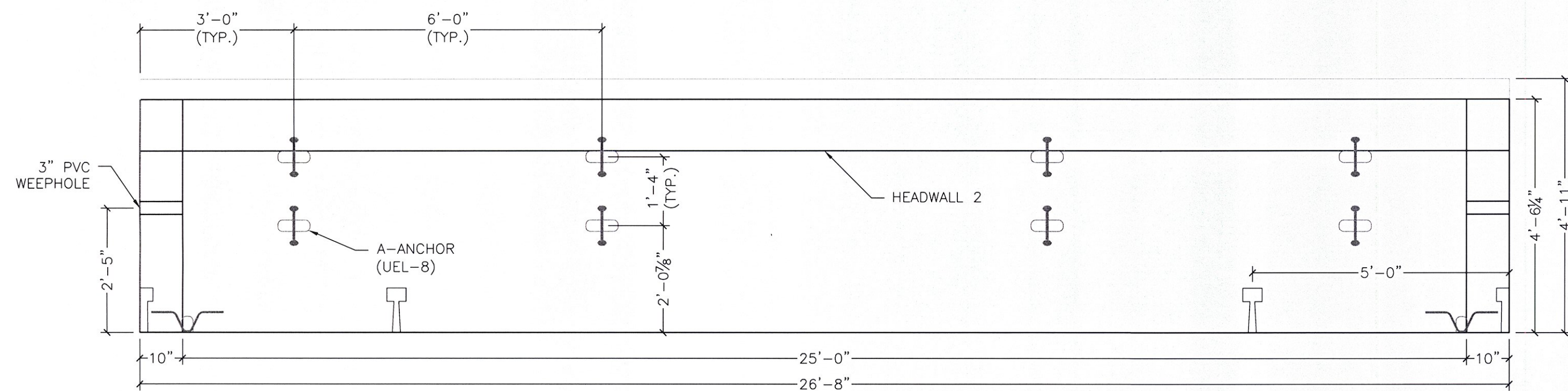


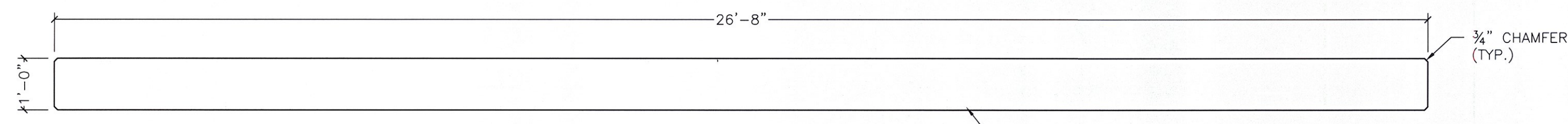
1 RF3 TYPICAL SECTION
S4.0 1/2" = 1'-0"

TYPE "RF3"-1 REQ'D

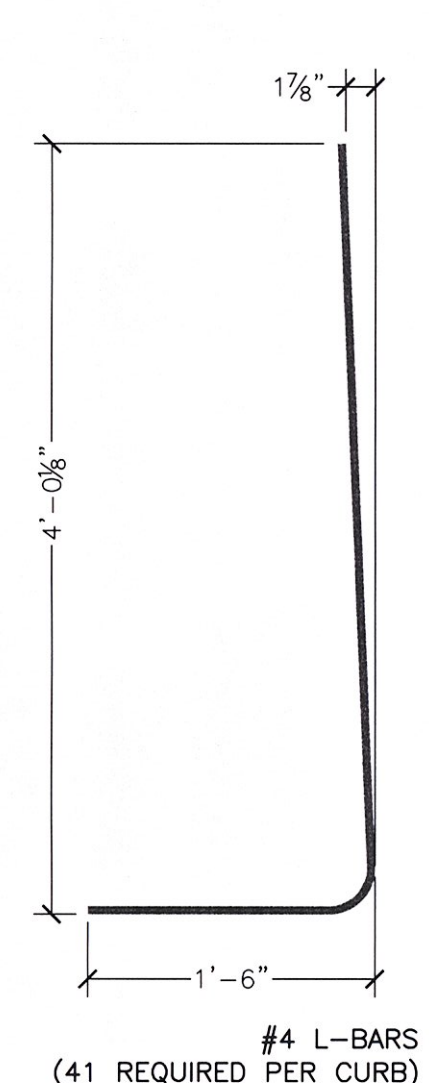
BRIDGE UNIT W/O CURBWall- 8.76CY (36792#)
CURBWall- 3.26CY (13692#)
BRIDGE UNIT W/ CURBWall- 12.02CY (50484#)



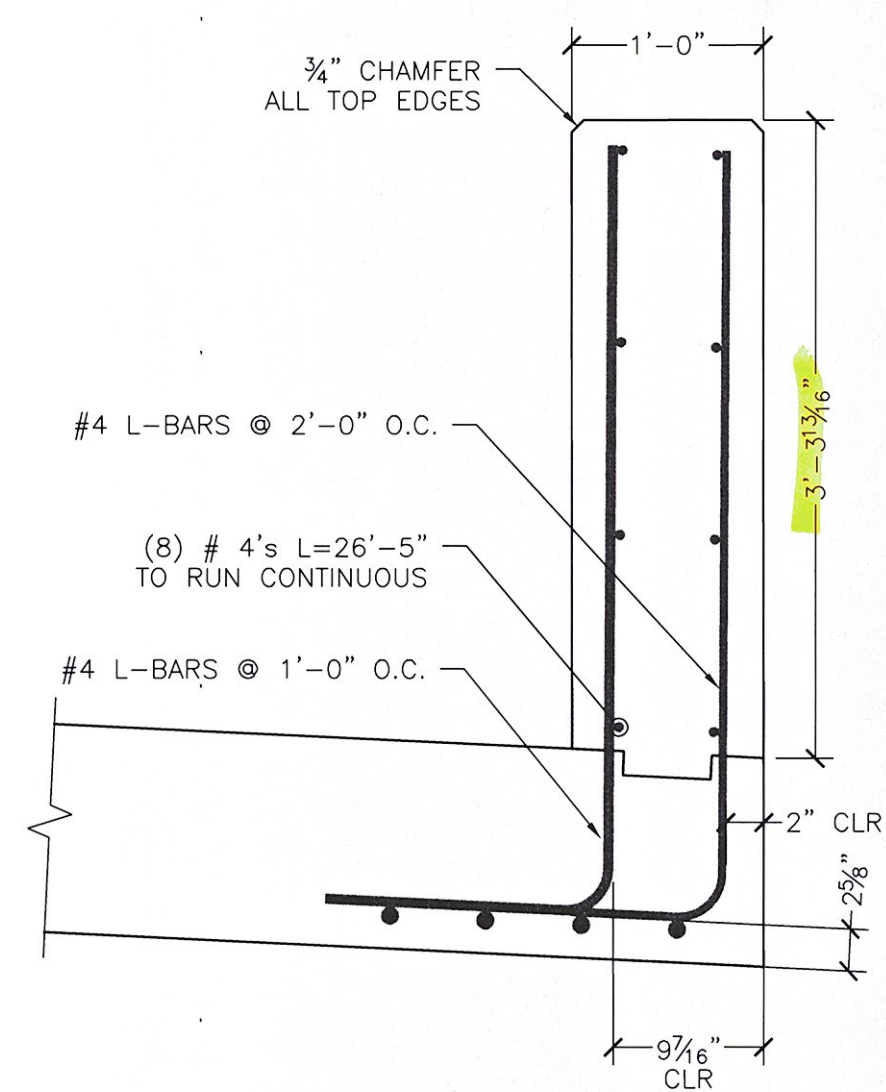
3 RF3 PLAN VIEW
S4.0 1/2" = 1'-0"



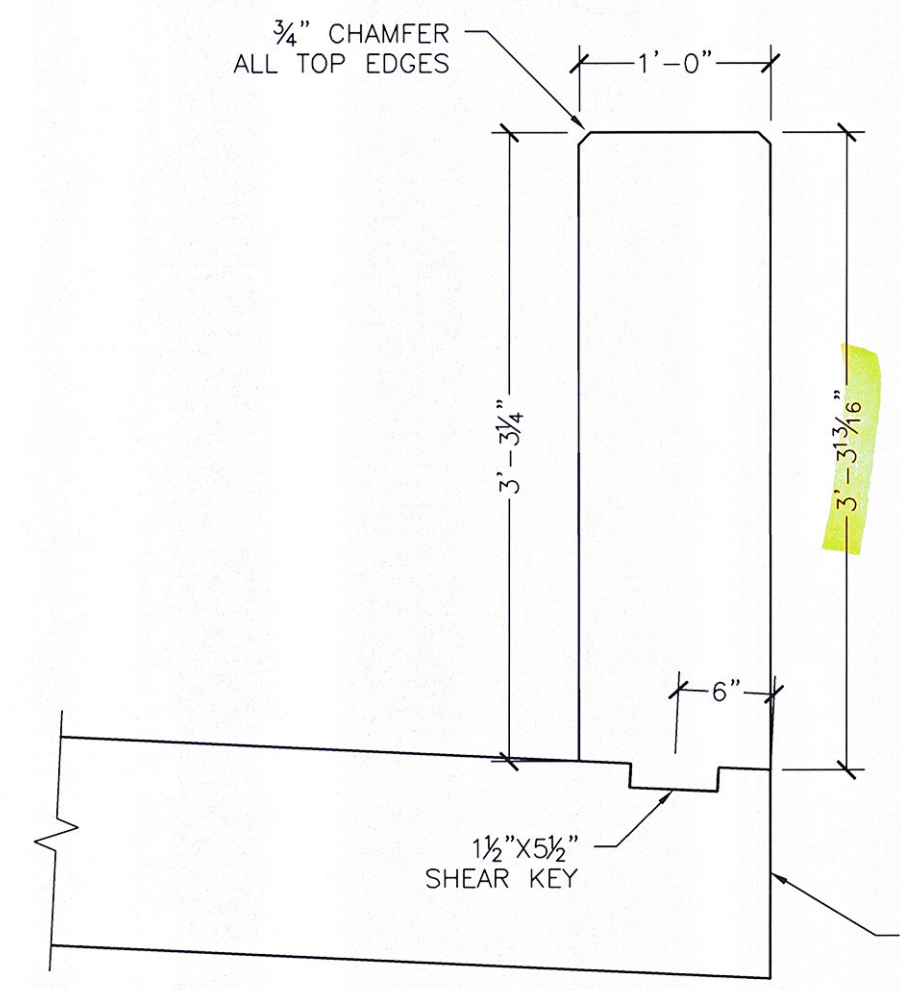
5 HEADWALL 2 PLAN
S4.0 1/2" = 1'-0"



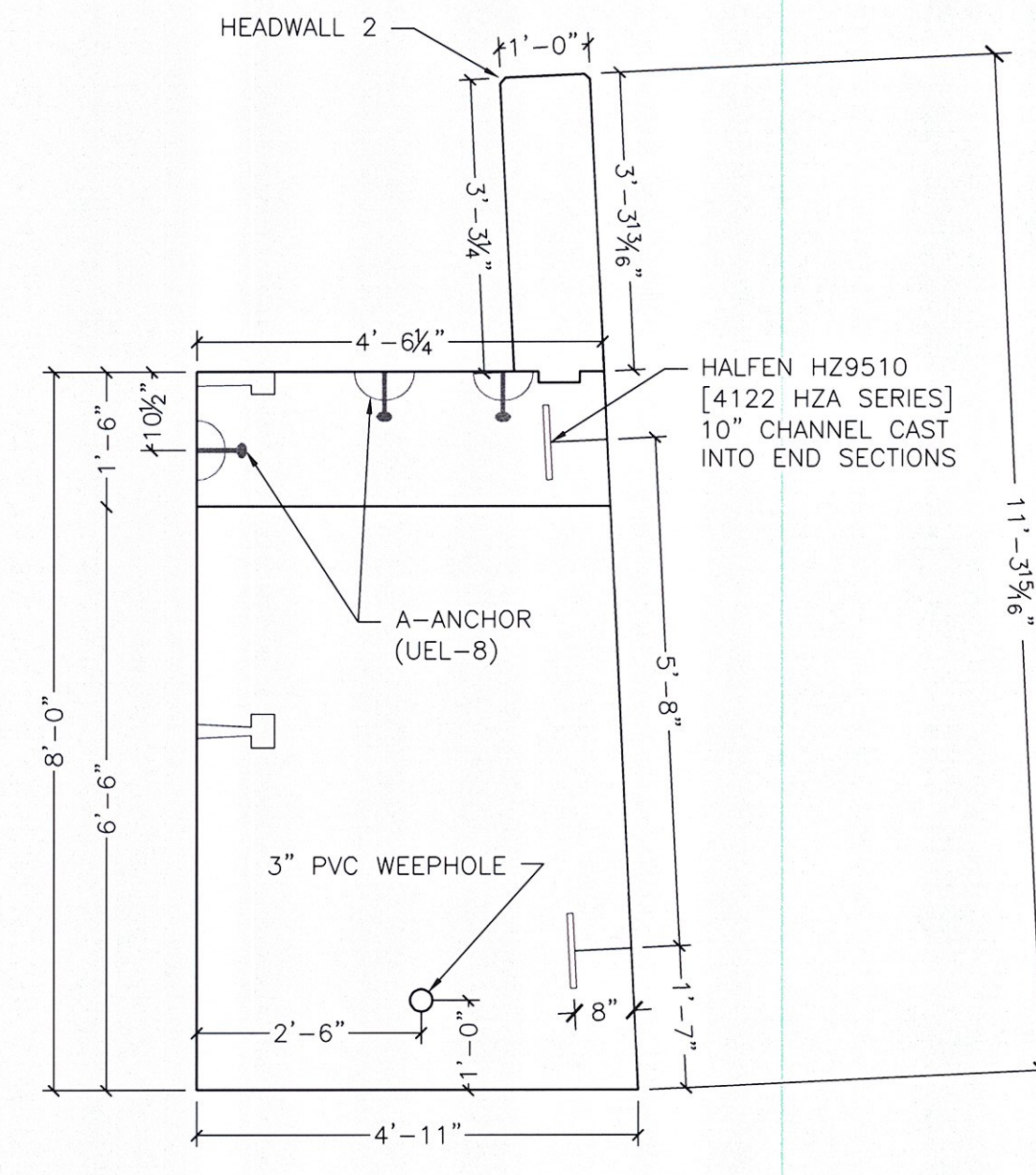
6A HEADWALL 2 REINFORCING
S4.0 1" = 1'-0"



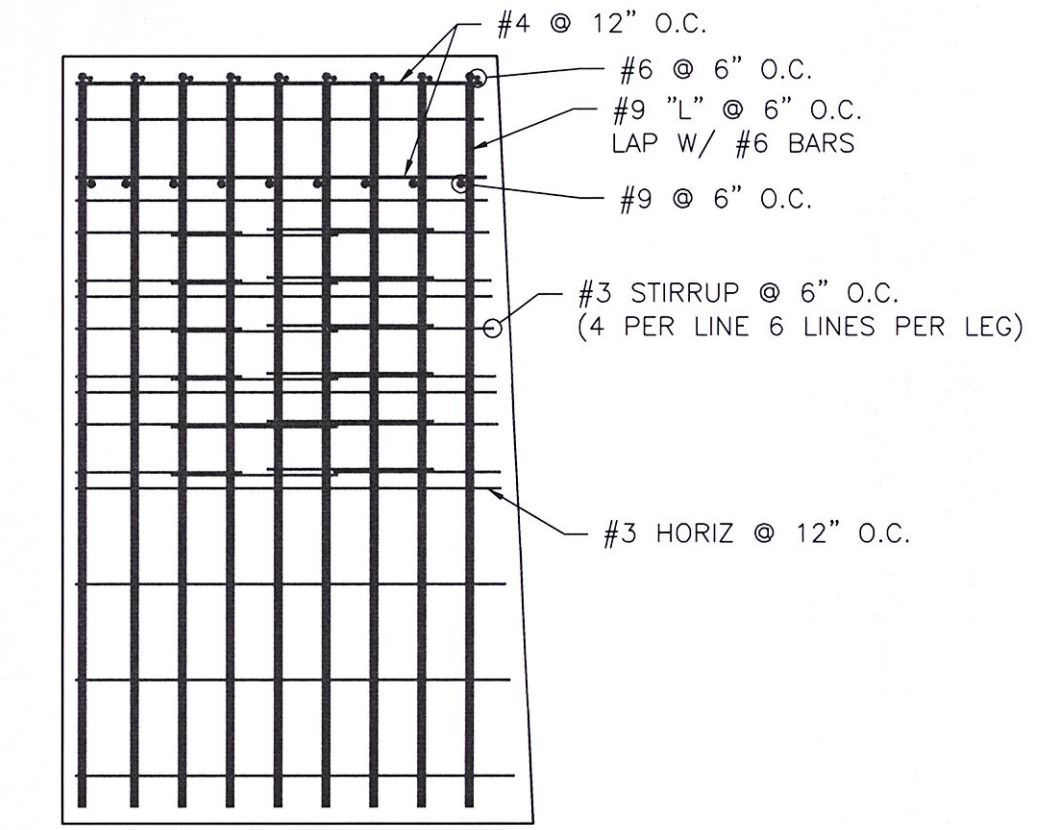
6 HEADWALL 2 SECTION
S4.0 1" = 1'-0"



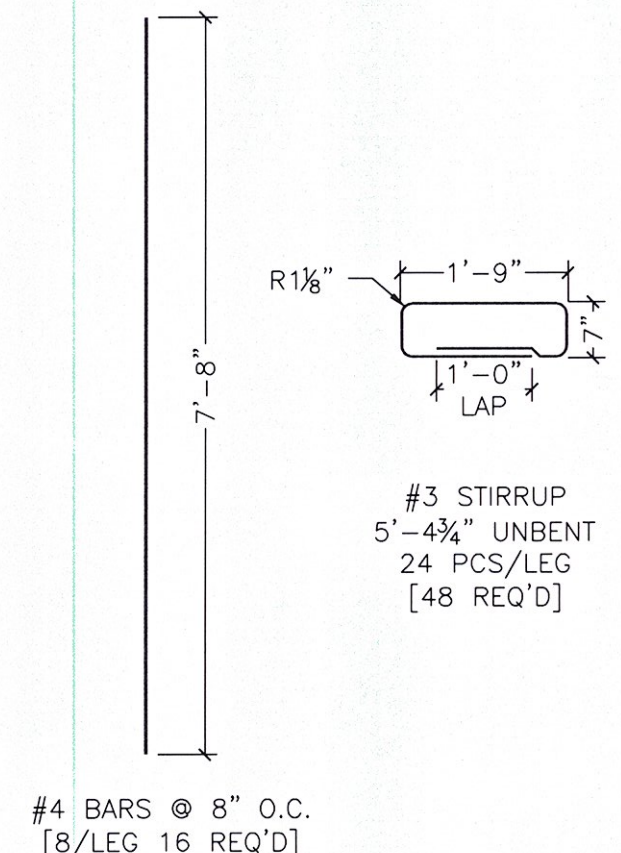
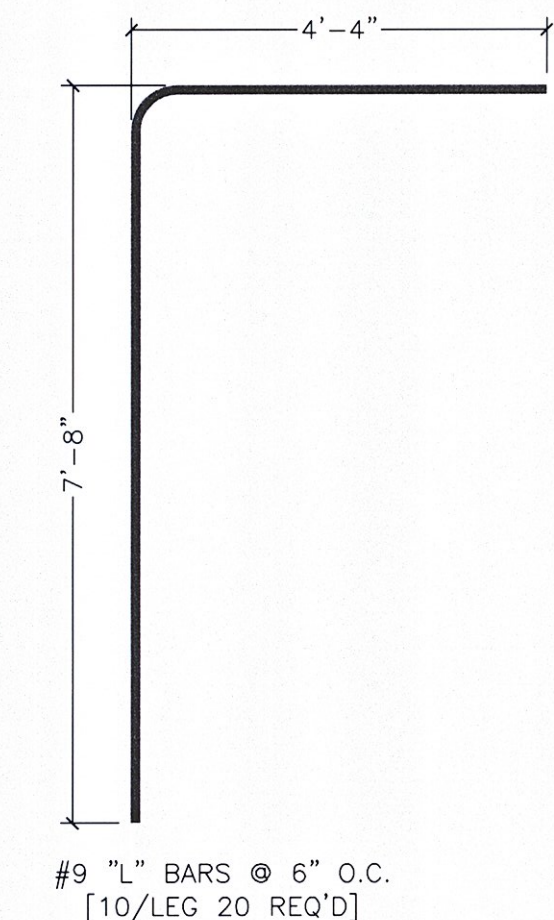
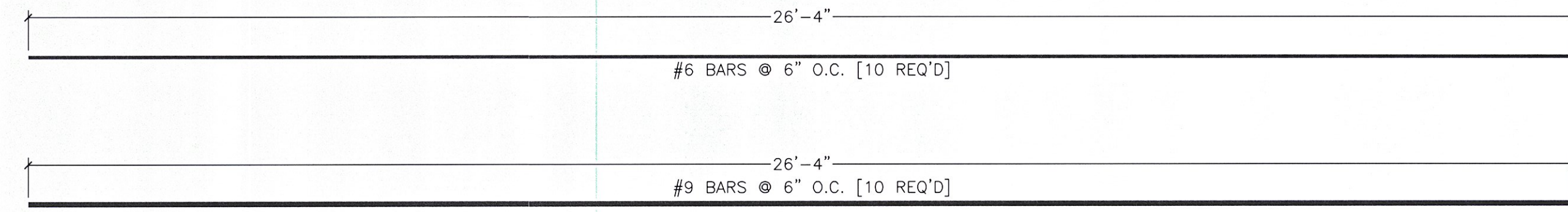
7 HEADWALL 2 ELEVATION
S4.0 1" = 1'-0"



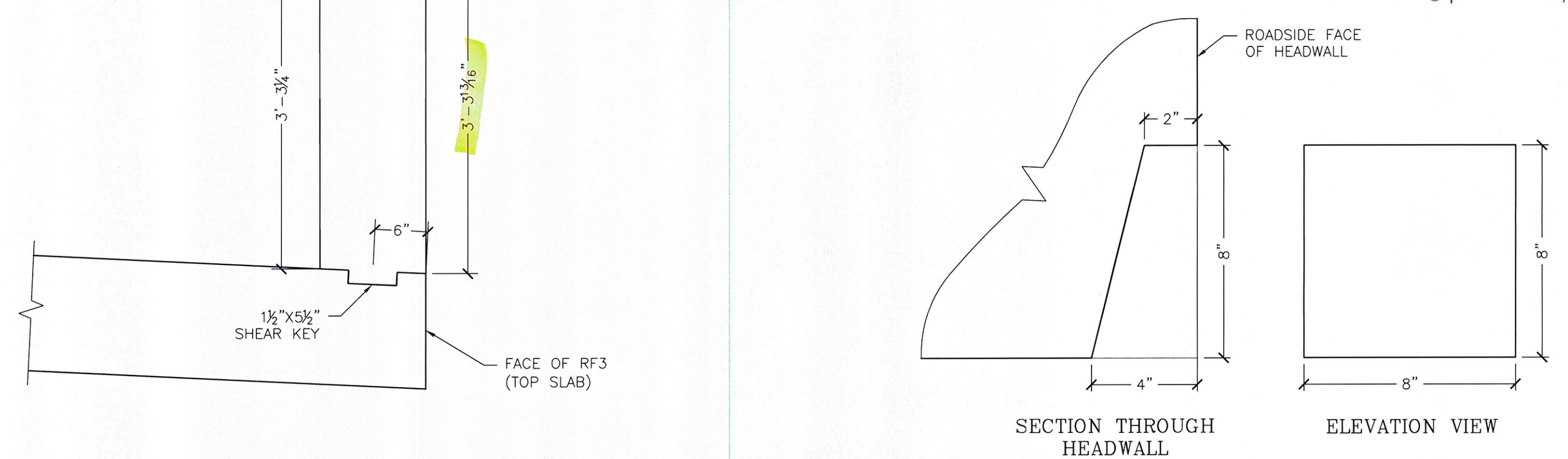
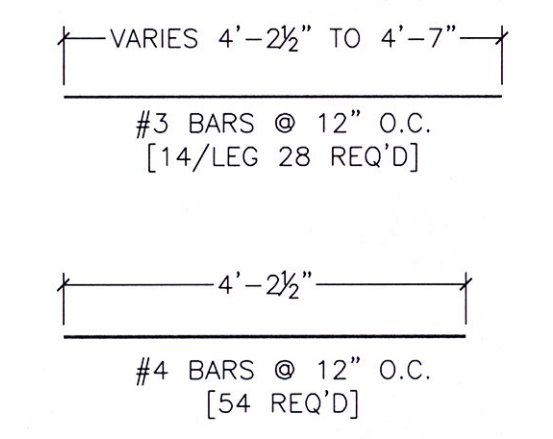
2 RF3 ELEVATION VIEW
S4.0 1/2" = 1'-0"



2A RF1 REINFORCING DETAIL
S4.0 1/2" = 1'-0"



4 RF3 REINFORCING
S4.0 1/2" = 1'-0"



8 CURBWall LIFTER VOID DETAILS
S4.0 3" = 1'-0"

RECEIVED
OK'D BY JSS OK'D BY _____
MAY 11 2009
RESUBMIT _____ APPROVED _____
BY CPW DATE 5/12/09

No.	Date	Revision
1	04/29/2009	REVISED PER VAOT

WHITE MOUNTAIN PRECAST, LLC
173 BUXTON INDUSTRIAL DRIVE PO BOX 870
HENNIKER, NH 03242
PHONE: 603-428-3218
FAX: 603-428-1426

25' Span x 6'-6" Rise Rigid Frame Bridge
Rte 100 Bridge Replacement
Ludlow, VT

Scale: AS SHOWN
Checked by: TAF
Drawn by: PDH
RF3
Designed by: TL
Project No. 51166
Date: 2/16/2009

Prepared for:
Miller Construction, Inc.
P.O. Box 86 Rte 5
Windsor, VT 05087

DWG NO.
S4.0