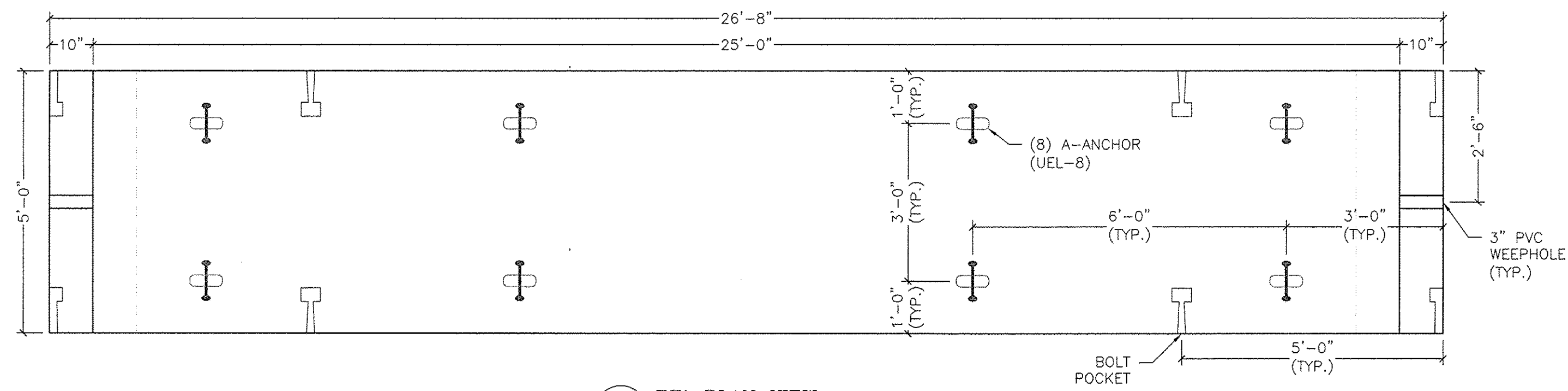
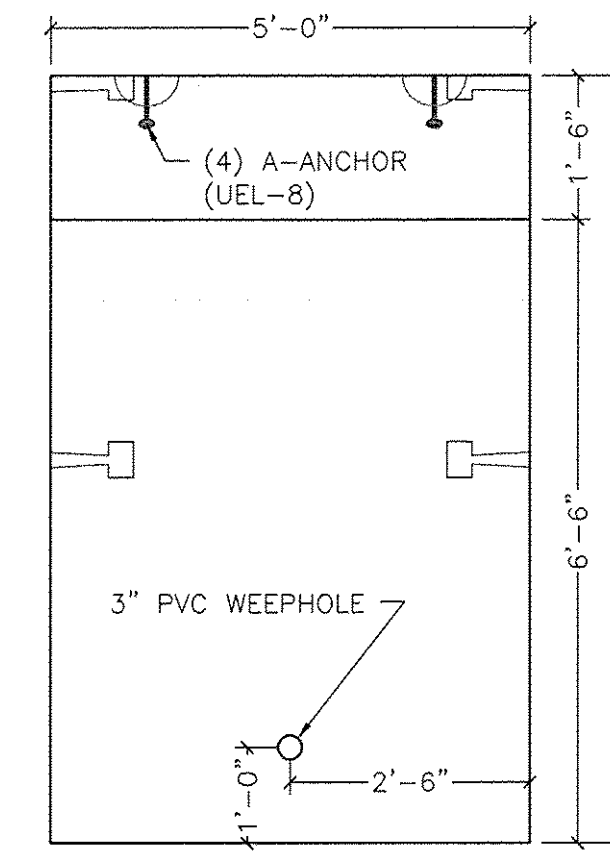


1 RF1 TYPICAL SECTION
S2.0 1/2" = 1'-0"

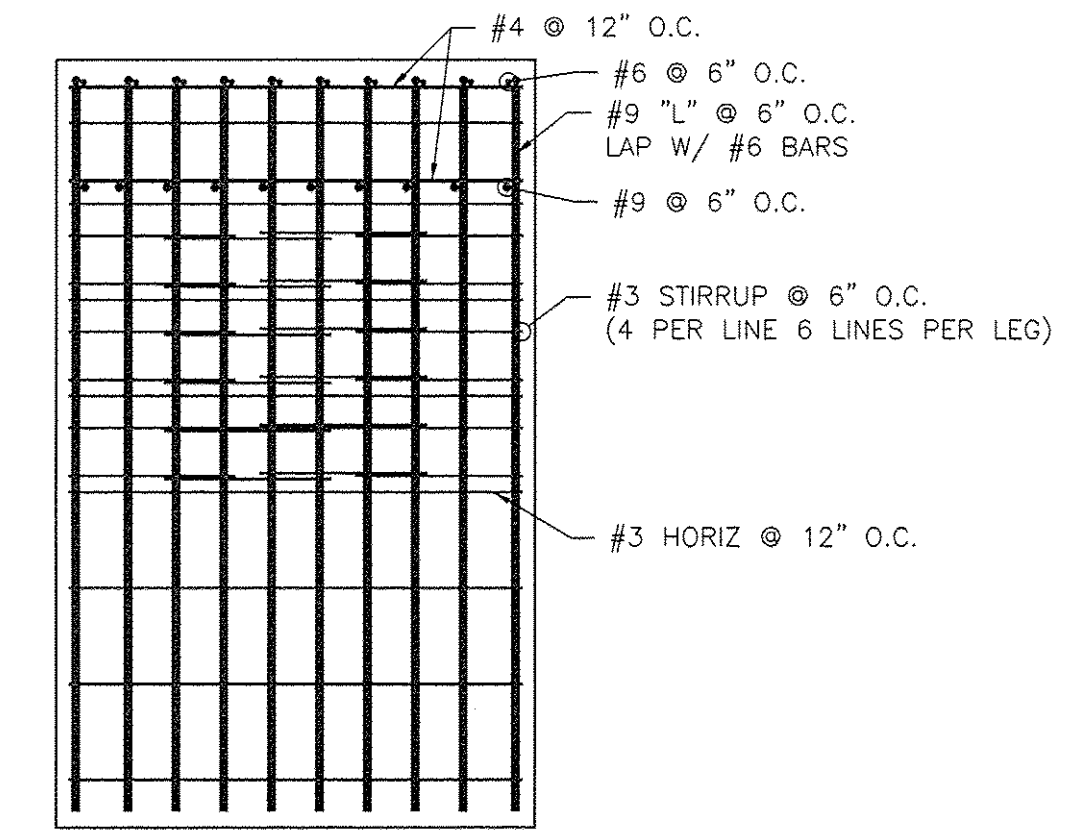
TYPE "RF1"-21 REQ'D
BRIDGE UNIT- 9.54CY (40068#)



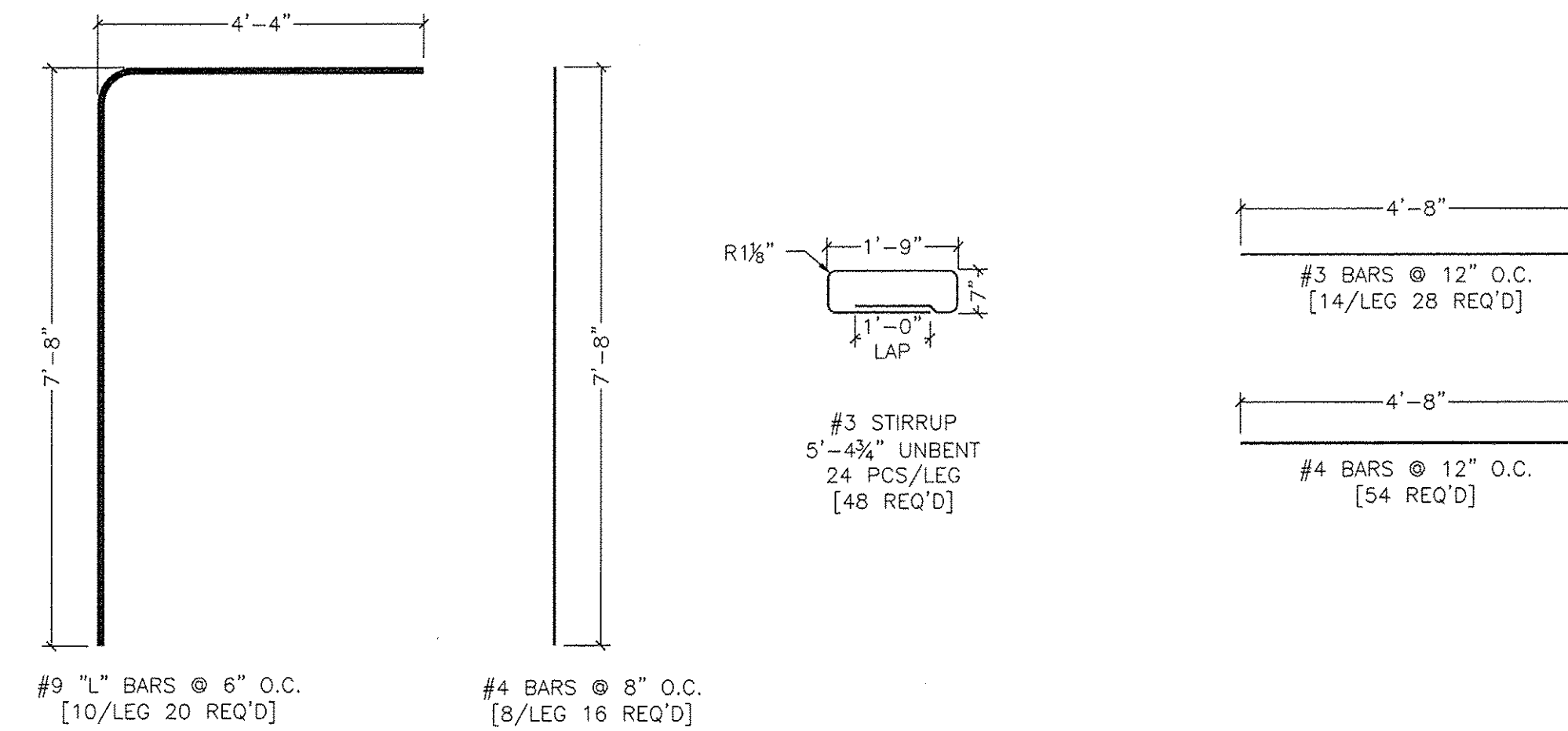
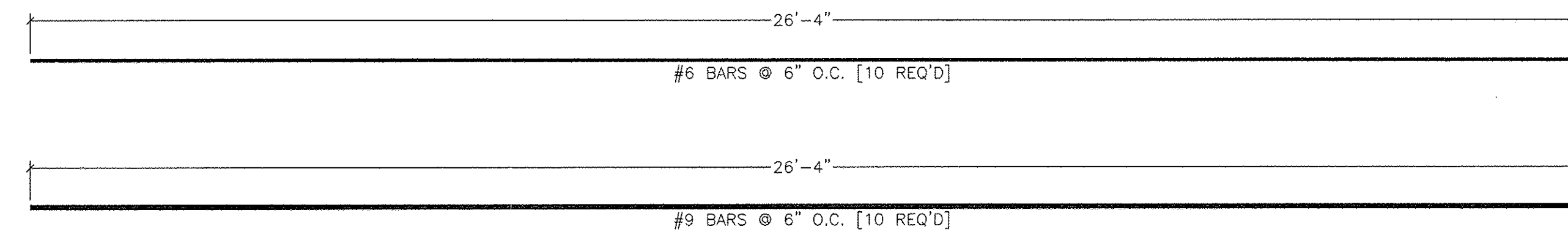
3 RF1 PLAN VIEW
S2.0 1/2" = 1'-0"



2 RF1 ELEVATION VIEW
S2.0 1/2" = 1'-0"



2A RF1 REINFORCING DETAIL
S2.0 1/2" = 1'-0"



4 RF1 REINFORCING
S2.0 1/2" = 1'-0"

WHITE MOUNTAIN PRECAST, LLC
173 BUXTON INDUSTRIAL DRIVE-PO BOX 870
HENNIKER, NH 03242
PHONE: 603-428-3218
FAX: 603-428-4226

25' Span x 6'-6" Rise Rigid Frame Bridge
Rte 100 Bridge Replacement
Ludlow, VT

Prepared for:
Miller Construction, Inc.
P.O. Box 86 Rte 5
Windsor, VT 05087

DWG NO.
S2.0

RECEIVED
OK'D BY: *SS* OK'D BY: _____
MAY 6 12 2009
RESUBMIT APPROVED ✓
BY: *CPW* DATE: *5/12/09*

| | | |
|------------------|-----------------|------------------|
| Project No. 5166 | Scale: AS SHOWN | Checked by: TAF |
| Date: 2/18/2009 | RF1 | Drawn by: PDI |
| | | Designed by: TL |
| | | Revised Per VAOT |
| | | Revision |
| | | Date |
| | | No. |
| | | By |
| | | TAF |