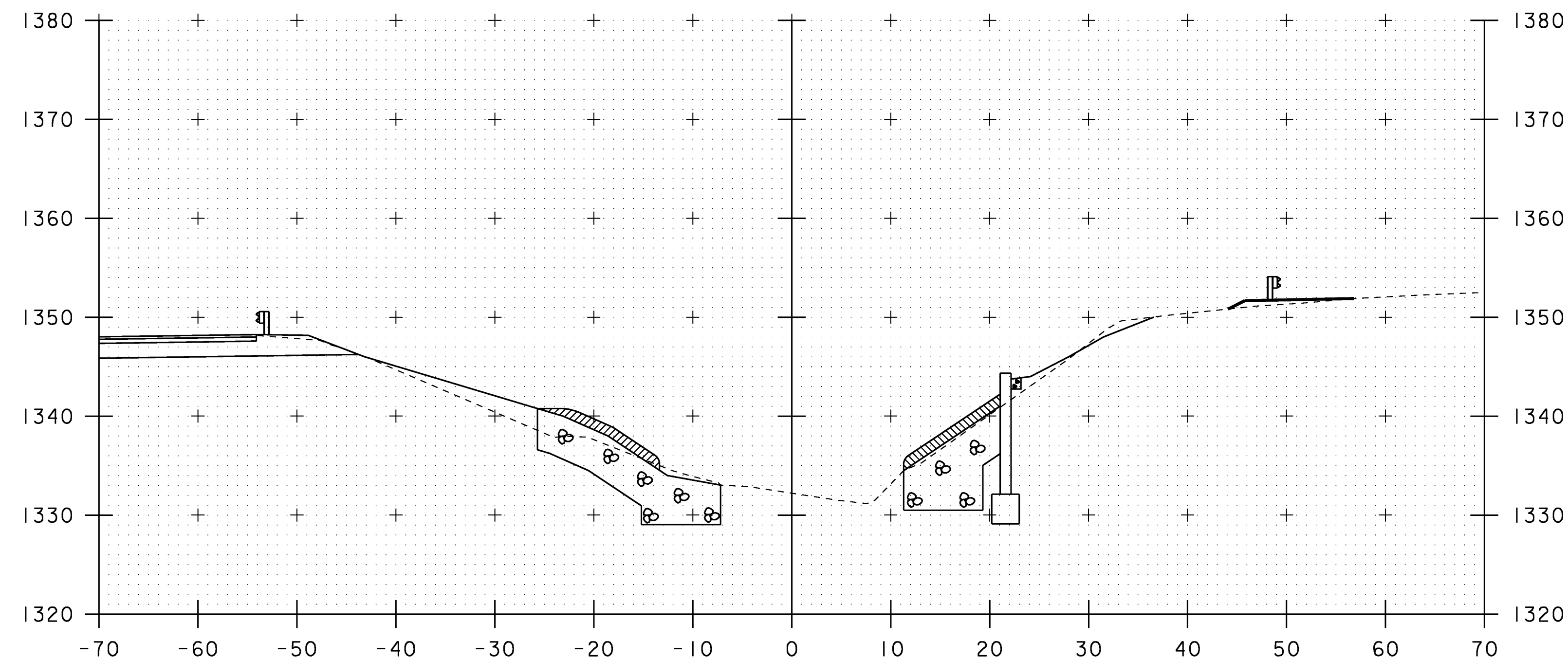
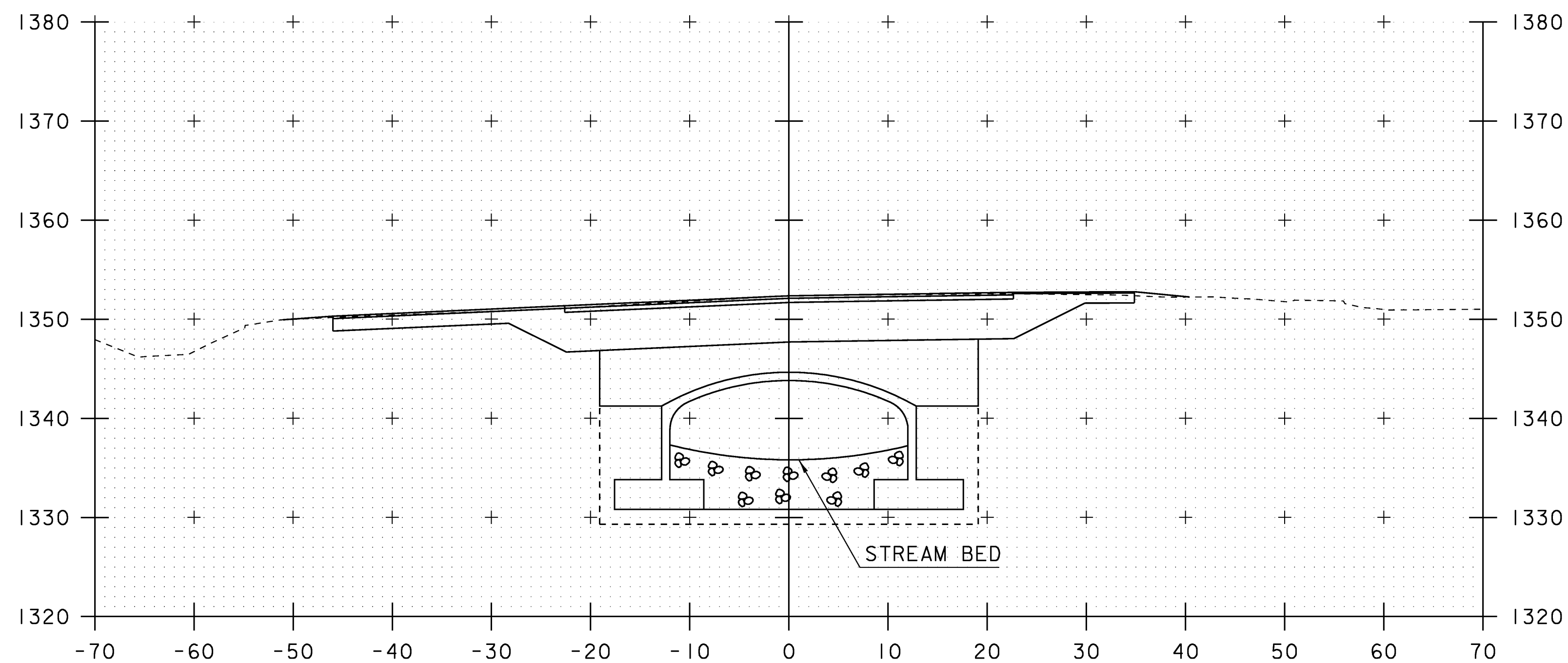


81+25

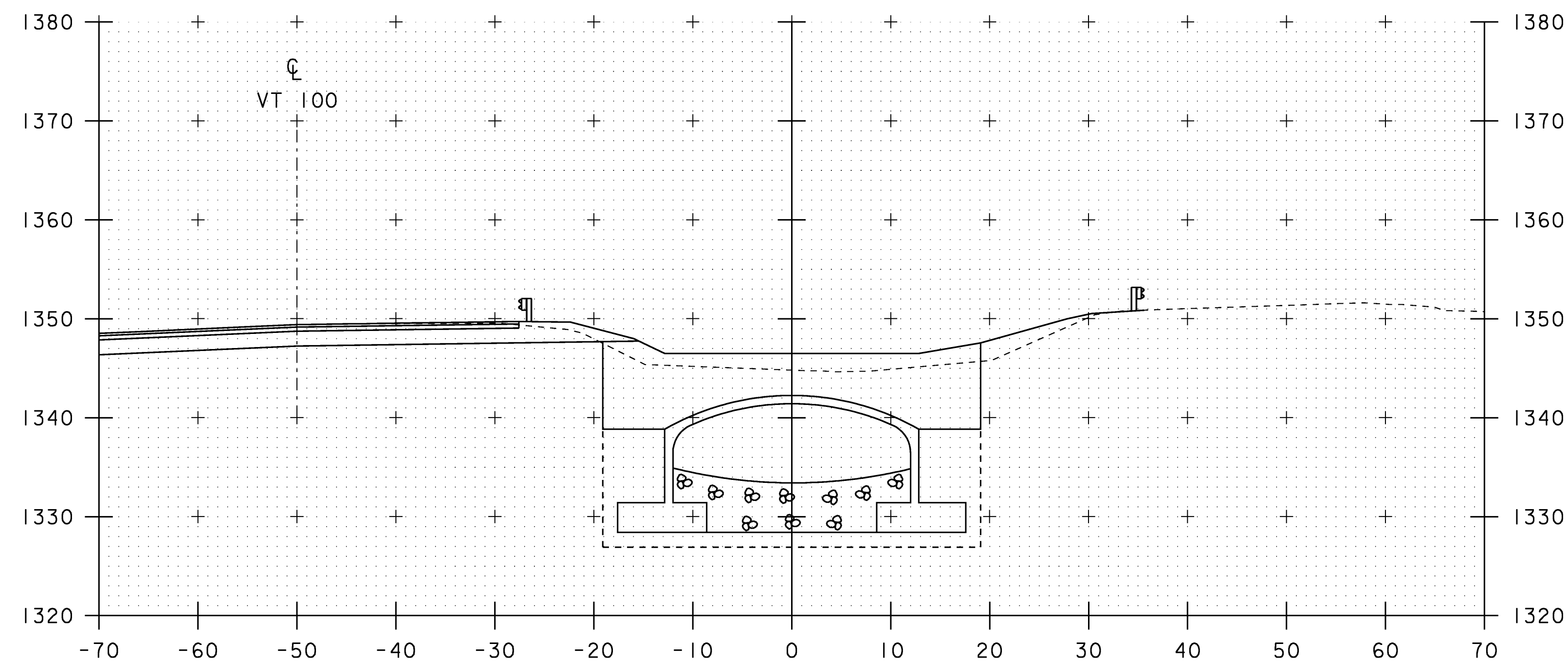


81+75

STA 80+55.00 RT & LT  
 END SPECIAL PROVISION (STONE FILL, ARCH STONE LINE)  
 BEGIN GEOTEXTILE UNDER STONE FILL  
 BEGIN GRUBBING MATERIAL



81+00



81+50

SCALE 1" = 10'-0"  
 10 0 10

STA. 81+00 TO STA. 81+75

PROJECT: LUDLOW	PROJECT NO.: STP ST CULV (7)
DESIGN FILE NAME: 00b258\Structures\s00b258xsl.dgn	PLOT DATE: 11-SEP-2008
IPARM FILE NAME: s00b258ch2.i	DESIGNED BY: E. L. RUSTAY
SQUAD LEADER: C. P. WILLIAMS	DRAWN BY:
CHANNEL CROSS SECTIONS	CHECKED BY: R. S. YOUNG
	SHEET: 33 OF 34