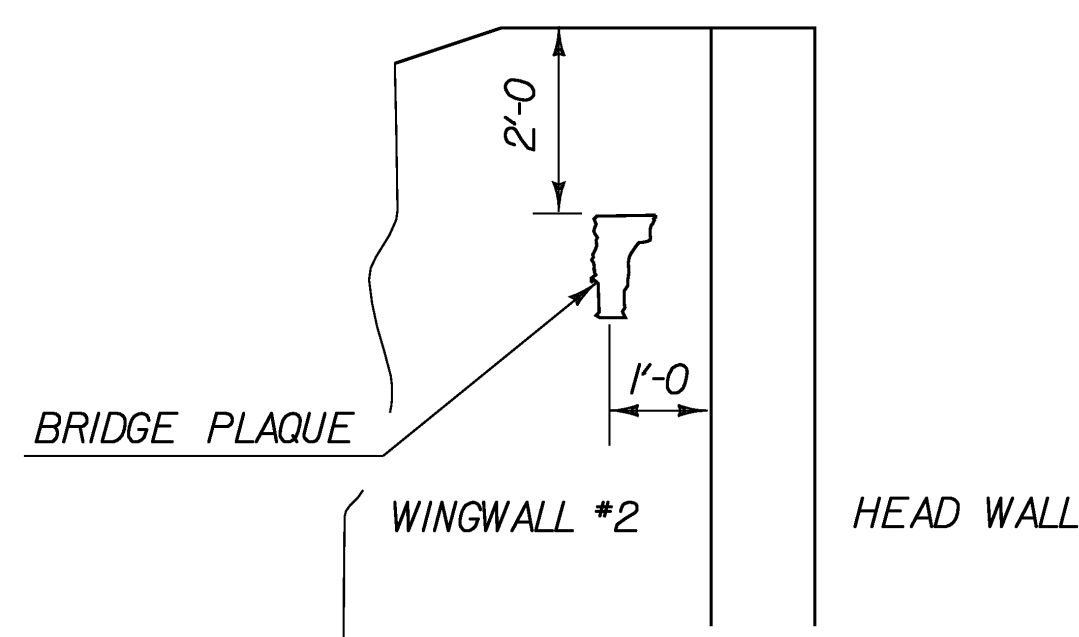
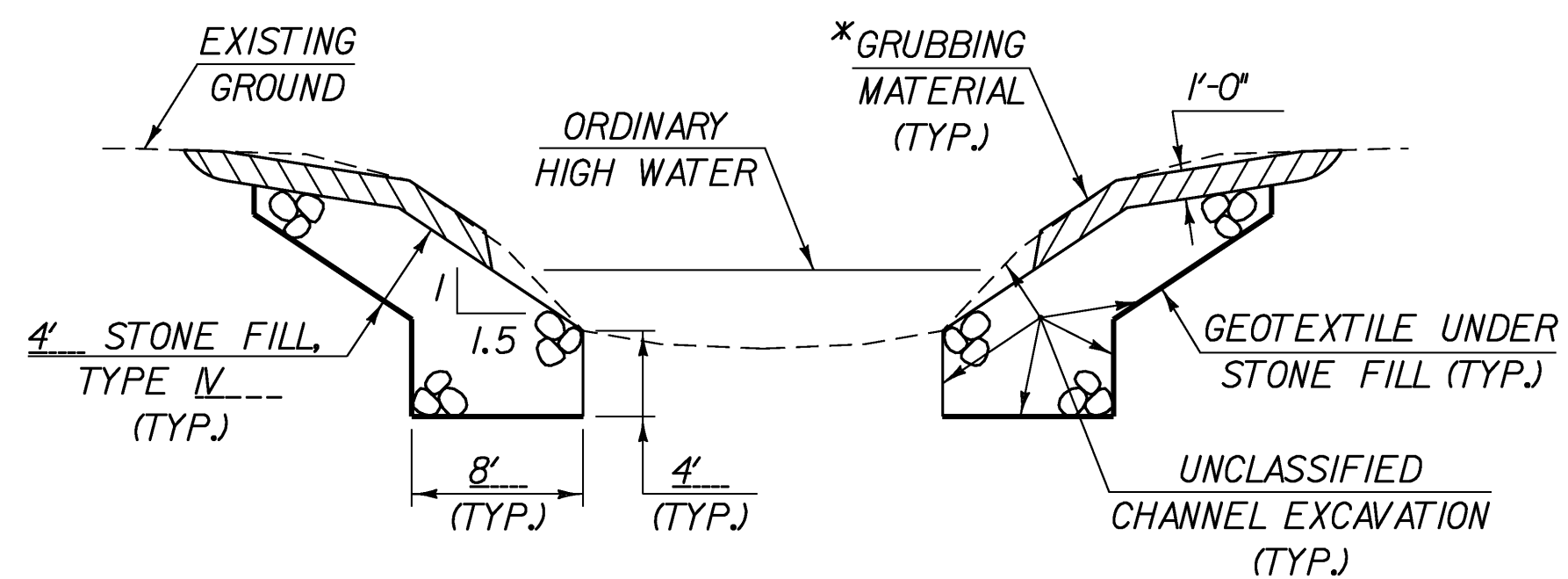


** PAYMENT INCIDENTAL TO ITEM 519.21
"SHEET MEMBRANE WATERPROOFING,
PREFORMED SHEET".



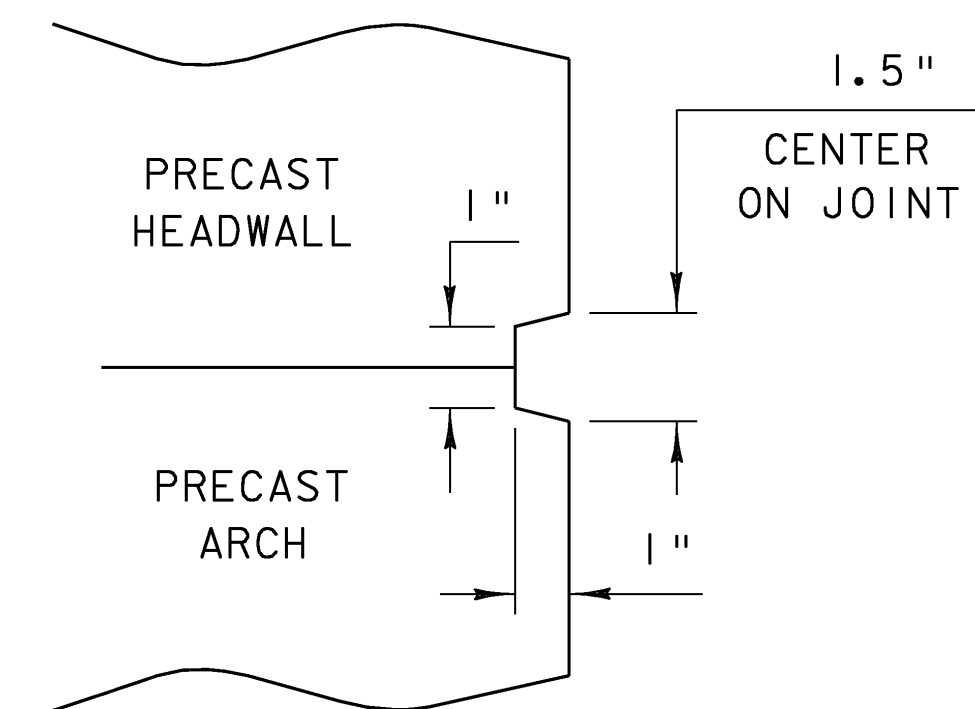
VIEW "A - A"
LOCATE BRIDGE PLAQUE

THE BRIDGE PLAQUE WILL BE SUPPLIED BY THE AGENCY OF TRANSPORTATION AND SHALL BE INSTALLED BY THE CONTRACTOR ON WING WALL *2 AS SHOWN OR AS DIRECTED BY THE ENGINEER.



TYPICAL CHANNEL SECTION
(NOT TO SCALE)

*GRUBBING MATERIAL SHALL NOT BE PLACED ON THE STONE FILL IN THE AREA UNDER THE BRIDGE. WHENEVER CHANNEL SLOPE INTERSECTS ROADWAY SUBBASE, GRUBBING MATERIAL SHALL BEGIN AT THE BOTTOM OF SUBBASE.



SCORE MARK DETAIL
(NOT TO SCALE)

PROJECT NAME: LUDLOW
PROJECT NUMBER: STP ST CULV (7)

FILE NAME: 00b258p1pepro.dgn
PROJECT LEADER: C.P. WILLIAMS
DESIGNED BY: H.I. SALLS
MISCELLANEOUS DETAILS

PLOT DATE: 23-SEP-2008
DRAWN BY: H.I. SALLS
CHECKED BY: R.S. YOUNG
SHEET 20 OF 34