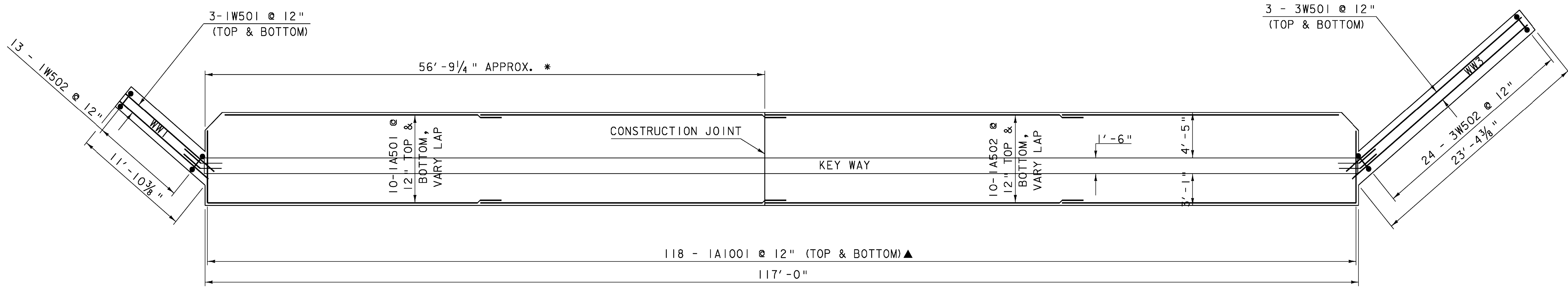


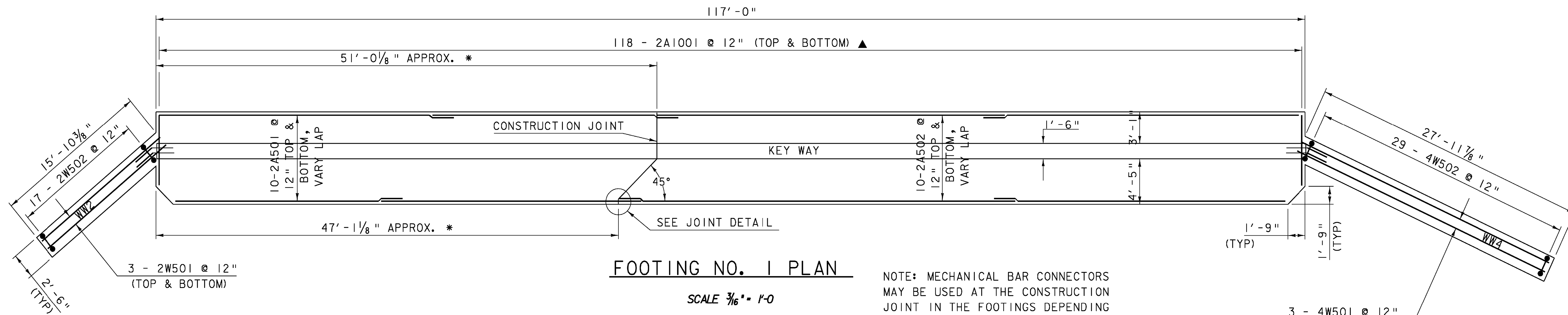
NOTE: FOOTINGS WERE CHANGED TO PRE-CAST - SEE SHOP DRAWINGS



FOOTING NO. 2 PLAN

SCALE 3/16" = 1'-0"

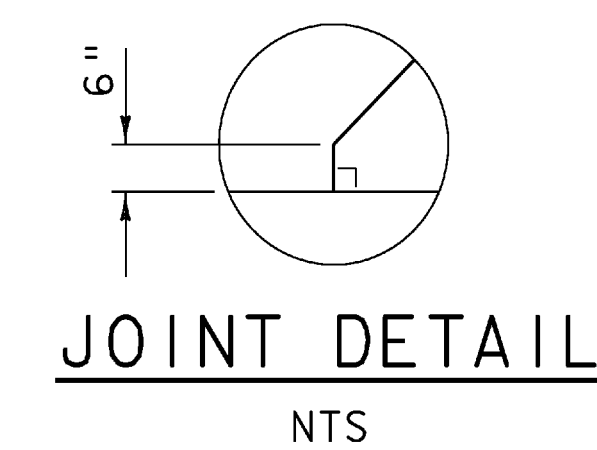
\* CONSTRUCTION JOINTS ARE SHOWN IN THEIR APPROXIMATE LOCATIONS



FOOTING NO. 1 PLAN

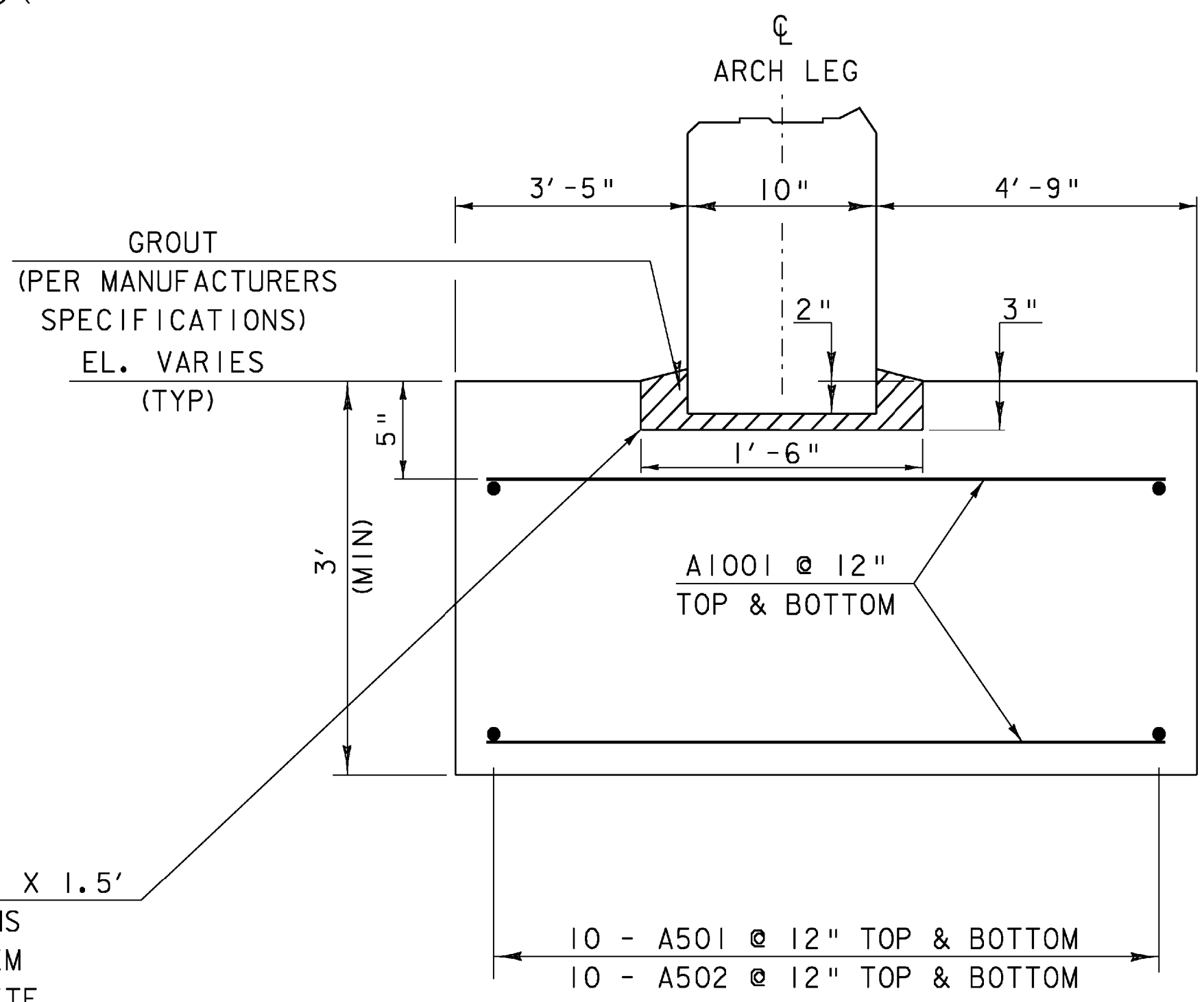
SCALE 3/16" = 1'-0"

NOTE: MECHANICAL BAR CONNECTORS MAY BE USED AT THE CONSTRUCTION JOINT IN THE FOOTINGS DEPENDING ON WHERE THE SHEET PILING IS INSTALLED.



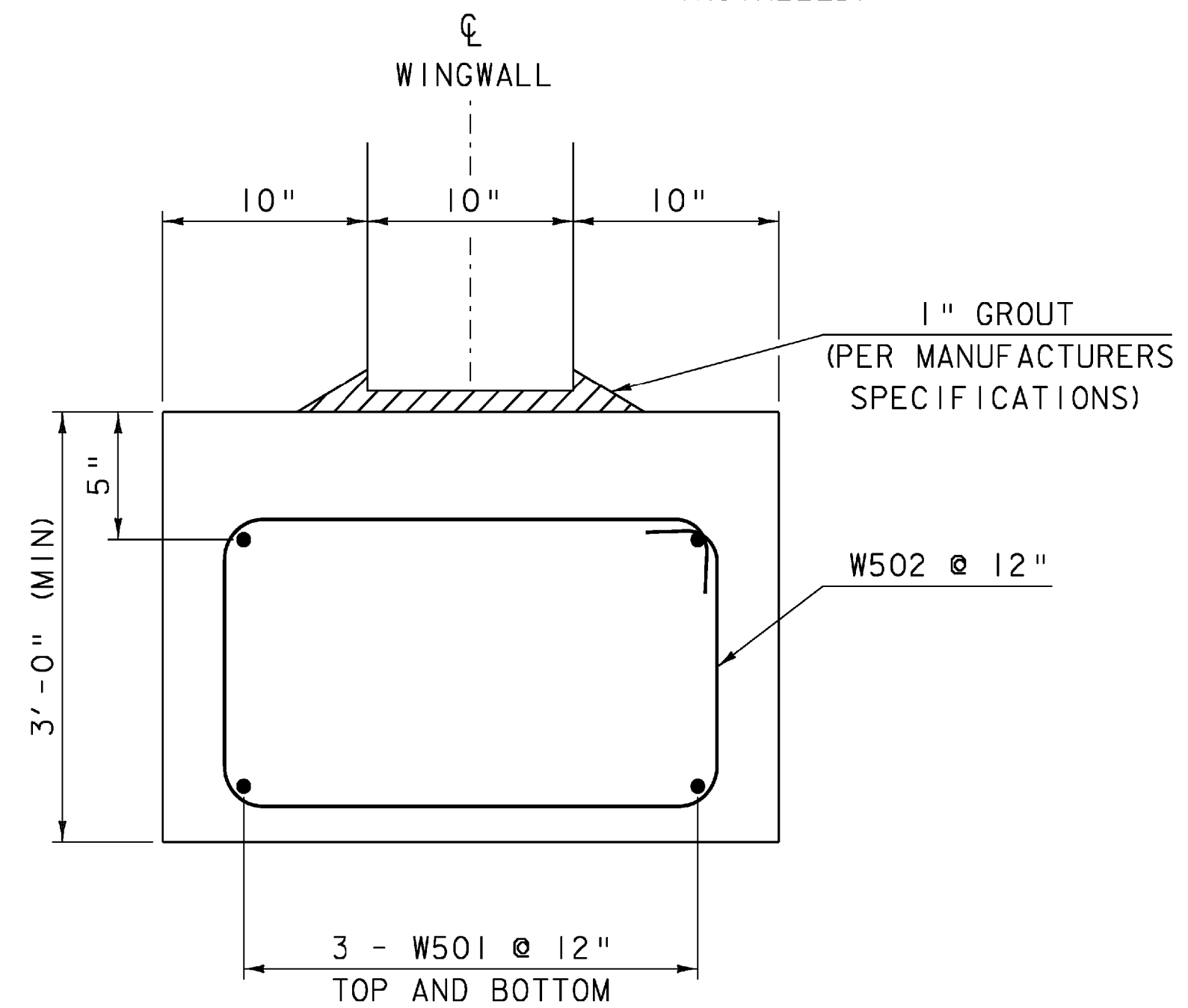
JOINT DETAIL

NTS



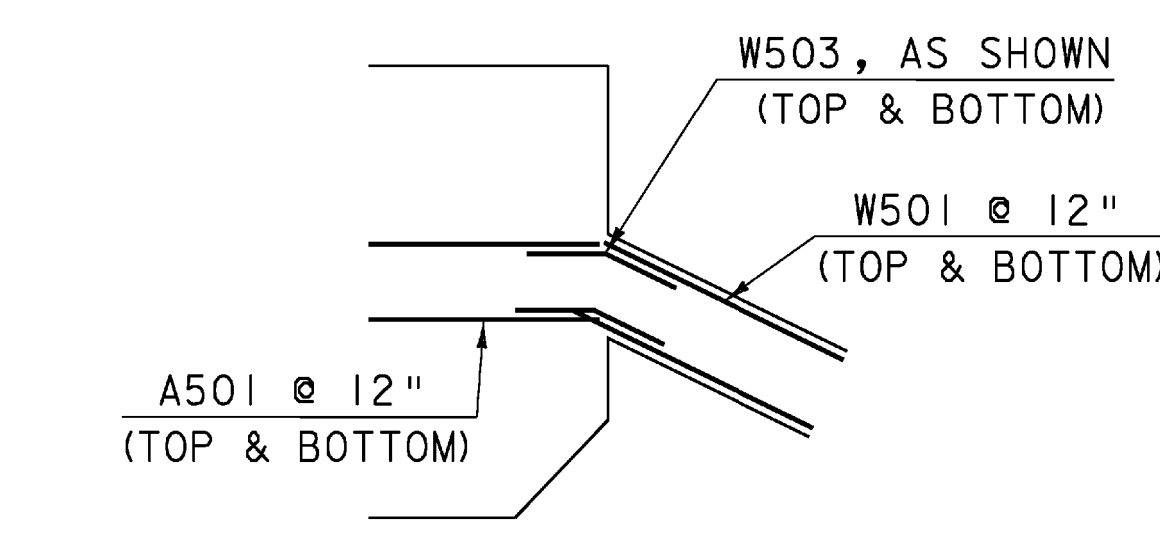
TYPICAL ARCH FOOTING SECTION

NTS



WINGWALL FOOTING SECTION

NTS



CORNER JOINT DETAIL

NTS

- NOTES:**
- NF = NEAR FACE
  - FF = FAR FACE
  - EF = EACH FACE
  - ▲ = CUT TO FIT IN FIELD
  - 3" CLEAR UNLESS OTHERWISE SPECIFIED ON THE PLANS
  - ALL LAPS 2'-2" UNLESS OTHERWISE NOTED.

CONTRACTOR TO USE 1.5' X 1.5' MASONITE OR STEEL SHIMS PAID FOR UNDER THE ITEM 540.10 "PRECAST CONCRETE ARCH (24' X 10')"

PROJECT NAME:	LUDLOW	PLOT DATE:	23-SEP-2008
PROJECT NUMBER:	STP ST CULV (7)	DRAWN BY:	H.J. SALLS
FILE NAME:	s00b258plpepro	CHECKED BY:	R.S. YOUNG
PROJECT LEADER:	C.P. WILLIAMS	FOOTING REINFORCING DETAILS	SHEET 18 OF 34
DESIGNED BY:	H.J. SALLS		

SCALE 3/16" = 1'-0"  
1 0 2 4 6 8