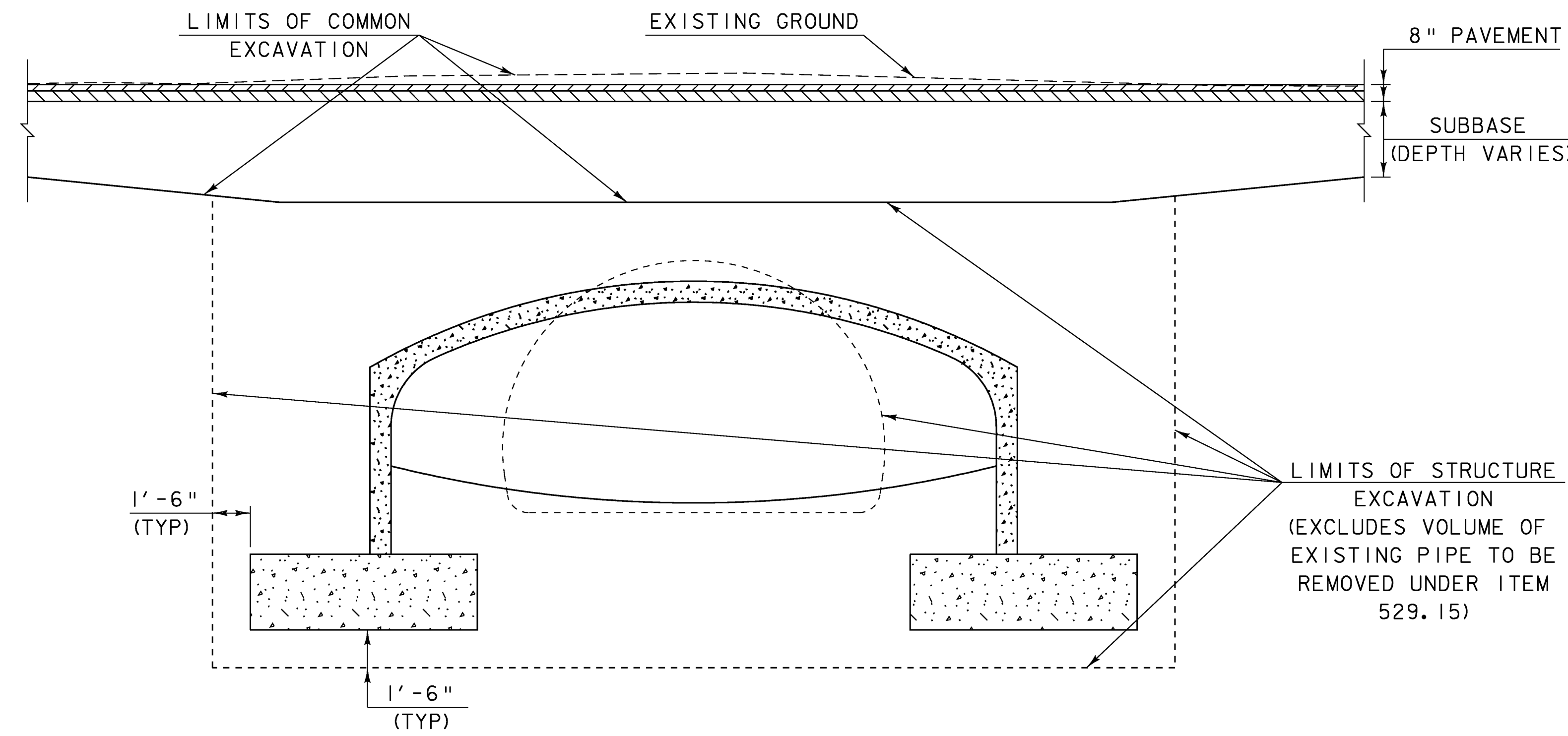


TYPICAL PRECAST WINGWALL SECTION
(NOT TO SCALE)

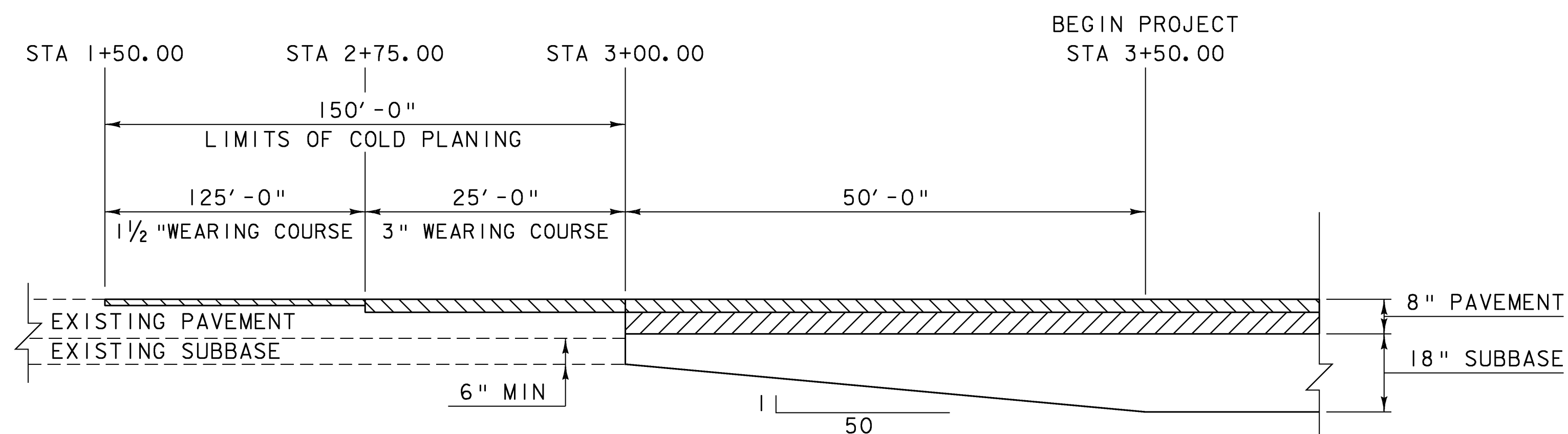
NOTE:

1) ACTUAL EXCAVATION SHALL BE DETERMINED BY THE CONTRACTOR. HOWEVER, ONLY THE EXCAVATION BETWEEN THE LIMITS SHOWN ABOVE WILL BE PAID FOR UNDER THE ITEM 204.25 "STRUCTURE EXCAVATION".

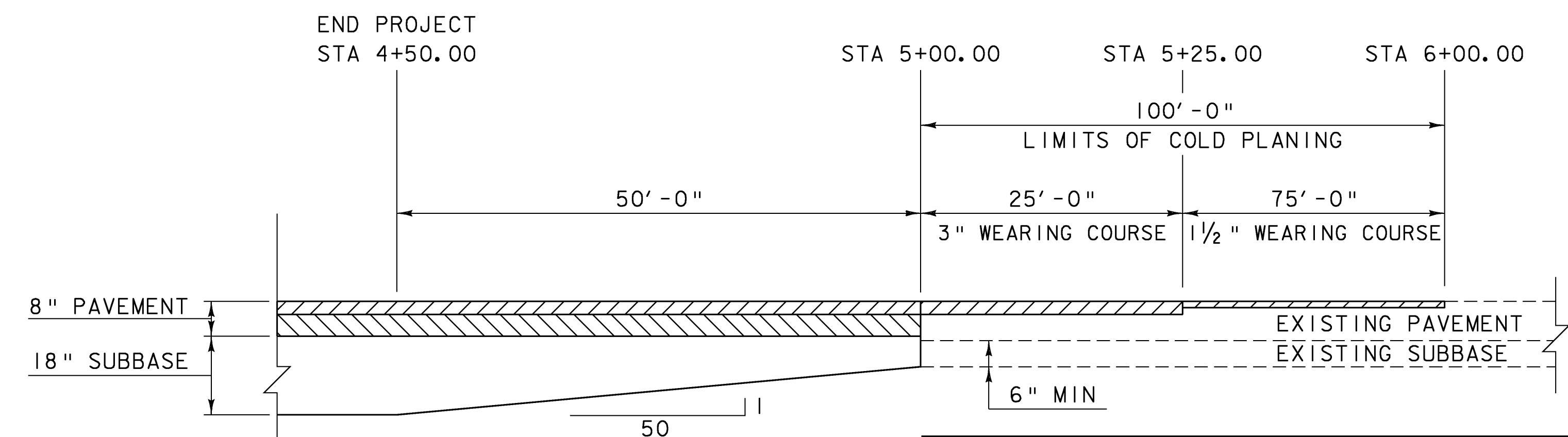


TYPICAL PRECAST ARCH SECTION EXCAVATION LIMITS

SCALE 1/4" = 1'-0"
1 0 2 4 6



BEGIN PROJECT MATERIAL TRANSITION
(NOT TO SCALE)



END PROJECT MATERIAL TRANSITION
(NOT TO SCALE)

| | |
|---|---|
| PROJECT: LUDLOW | PROJECT NO. # STP ST CULV (7) |
| DESIGN FILE NAME: 00b258\structures\s00b258.typ.dgn | PLOT DATE: 23-SEP-2008 |
| IPARM FILE NAME: s00b258excdef.i | DESIGNED BY: E.L.RUSTAY |
| SQUAD LEADER: C.P.WILLIAMS | DRAWN BY: D.D.BEARD |
| EXCAVATION DETAILS | CHECKED BY: R.S.YOUNG |
| | SHEET: 7 OF 34 |