

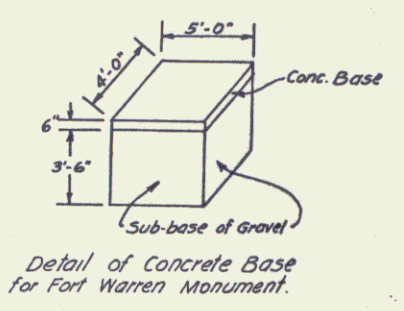
DEMOLITION & DISPOSAL, ITEM 506  
 266+45 - 269+95 Rt. (Board Fencing)  
 265+00 Rt. (Marquee)  
 269+75 Lt. (Sign)  
 269+10 Lt., 269+25 Lt., 270+25 Lt. (Light Posts)  
 271+10 Lt. (Sign)  
 268+65 Lt. (Well House)

Construct Drive

STA	Pos	LENGTH
265+30	265+30	100'
265+00	265+00	60'
265+05	265+05	60'
265+10	265+10	60'
265+15	265+15	60'
265+20	265+20	60'
265+25	265+25	60'
265+30	265+30	60'
265+35	265+35	60'
265+40	265+40	60'
265+45	265+45	60'
265+50	265+50	60'
265+55	265+55	60'
265+60	265+60	60'
265+65	265+65	60'
265+70	265+70	60'
265+75	265+75	60'
265+80	265+80	60'
265+85	265+85	60'
265+90	265+90	60'
265+95	265+95	60'

Vertical Granite Curb, item 556-B  
 STA 265+30 - 265+95 RT 100'  
 Granite Slope Edging - Item 556-A  
 SA#3 - 7+27 Lt. - 8+10 Lt. - 73'  
 Sodding Item 612  
 Sta 266+10 Lt. - Sta 268+15 Lt.

Cedar Log Rail - Item 546  
 SA#3 7+40 Lt. - 8+00 Lt.



Exist. Curve Data  
 Δ 11°27'00" RT  
 D 1°15'11"  
 R 483.66'  
 T 457.52'  
 L 916.0'  
 E 22.96'  
 Bank 1/4 per ft.

SURVEYED BY Spaulding DATE 3/65  
 DRAWN BY Ganss DATE 3/65  
 TRACED BY S.L.G. DATE 9/62  
**CASTLETON**  
 PROJ. AP NO. 3142 (4)  
 SHEET 7 OF 44