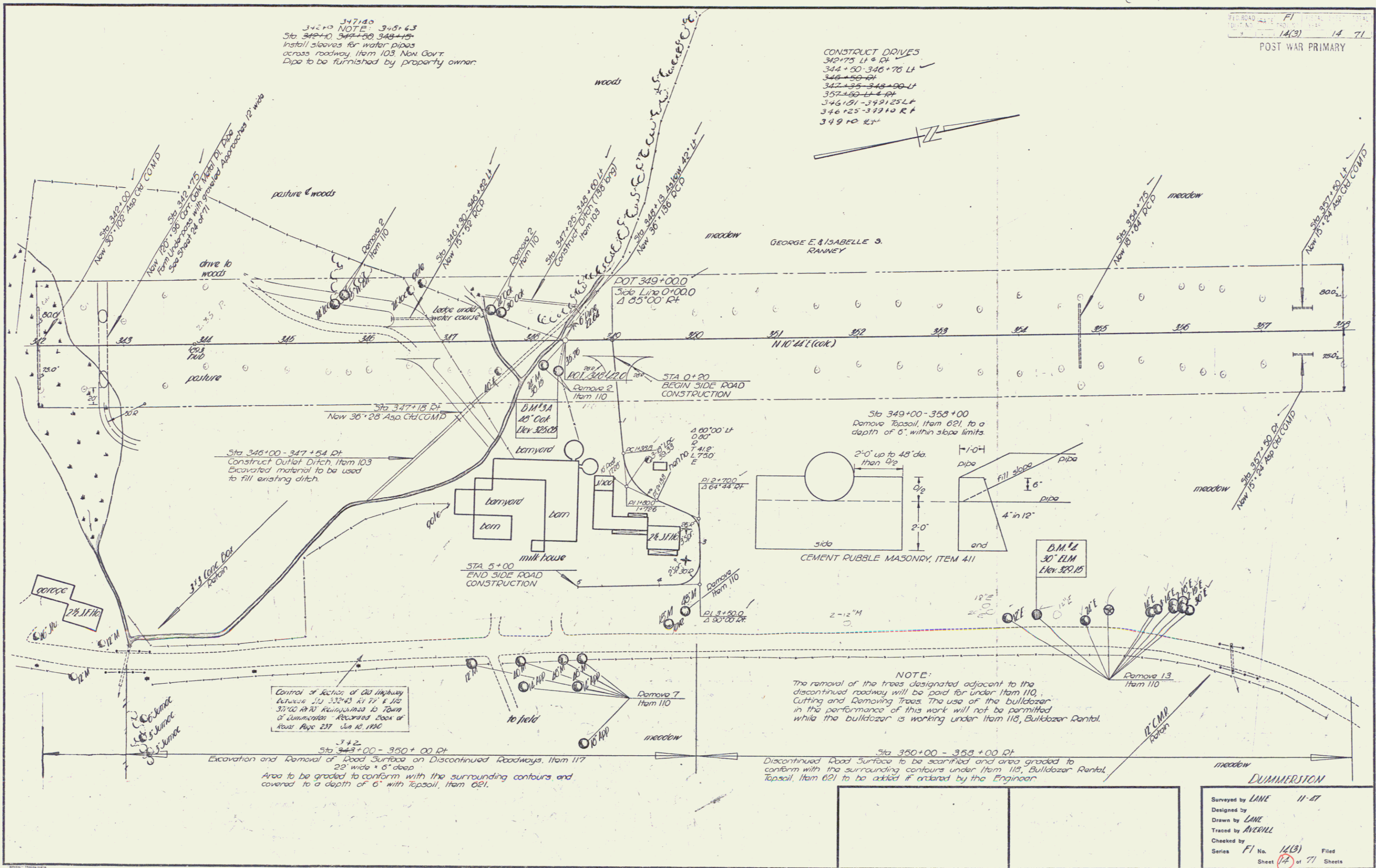
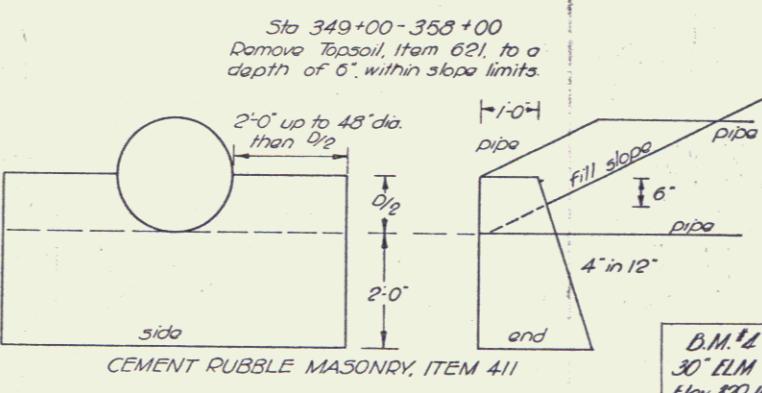


347+00
 342+10 NOTE: 348+63
 Sta 342+10 347+00 348+15
 Install sleeves for water pipes
 across roadway from 103. Non Govt.
 Pipe to be furnished by property owner.

CONSTRUCT DRIVES
 342+75 Lt & Rt
 344+50-346+70 Lt
 348+50-40
 342+25-348+00 Lt
 357+25-Lt-40
 346+01-349+25 Lt
 346+25-349+10 Rt
 349+10 Rt



Sta 345+00 - 347+54 Df
 Construct Outlet Ditch Item 103
 Excavated material to be used
 to fill existing ditch.



NOTE:
 The removal of the trees designated adjacent to the
 discontinued roadway will be paid for under Item 110.
 Cutting and Removing Trees. The use of the bulldozer
 in the performance of this work will not be permitted
 while the bulldozer is working under Item 110, Bulldozer Rental.

Control of Section of Old Highway
 between 1/2 332+43 Rt 77' E 1/2
 37+00 Rt 70' Right of Way to Town
 of Dummerston Recorded Book of
 Aboard Page 237 Jan 16 1936

342
 Sta 343+00 - 350+00 Df
 Excavation and Removal of Road Surface on Discontinued Roadways, Item 117
 25' wide x 6\"/>

Sta 350+00 - 359+00 Df
 Discontinued Road Surface to be scarified and area graded to
 conform with the surrounding contours under Item 113, Bulldozer Rental,
 Topsoil, Item 621 to be added if ordered by the Engineer.

DUMMERSTON
 Surveyed by LANE 11-47
 Designed by LANE
 Drawn by LANE
 Traced by AVERILL
 Checked by
 Series F1 No. 14(3) Filed
 Sheet 14 of 71 Sheets