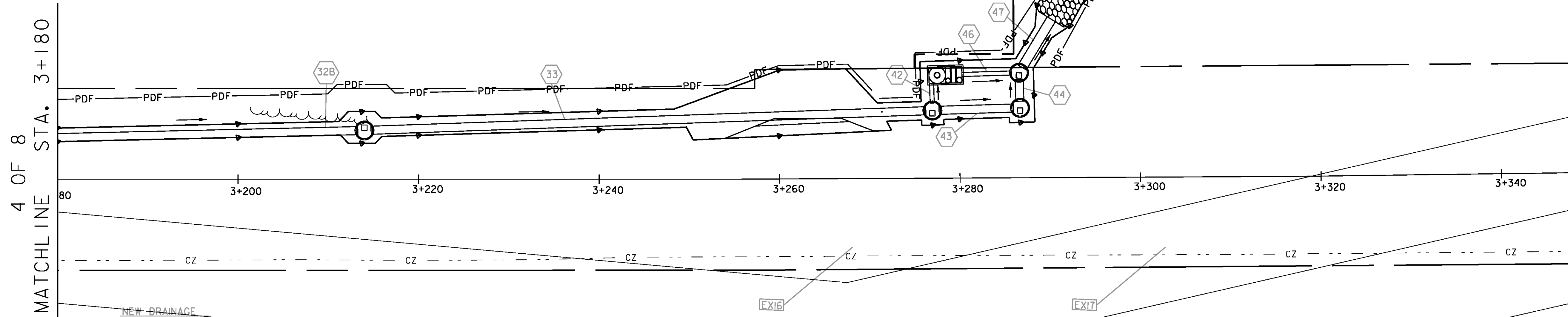


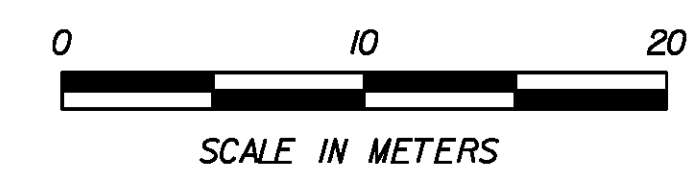
STONE DITCH NOTES

3+288.605 LT ~ 3+294.282 LT  
 CONSTRUCT RIPRAP BASIN X 0.300 m D  
 WITH STONE FILL TYPE I



MATCHLINE STA. 3+180

- NEW DRAINAGE
- ③③ 3+214.737 LT ~ 3+276.238 LT  
NEW 900 mm X 61.502 m OPTION CC PIPE  
INV. IN = 51.800 INV. OUT 49.650
  - ④② 3+276.954 LT ~ 3+276.903 LT  
NEW 450 mm X 2.138 m OPTION AA PIPE  
INV. IN = 49.650 INV. OUT 49.650
  - ④③ 3+277.712 LT ~ 3+285.948 LT  
NEW 900 mm X 8.260 m OPTION CC PIPE  
INV. IN = 49.620 INV. OUT 49.269
  - ④④ 3+286.666 LT ~ 3+286.605 LT  
NEW 900 mm X 2.413 m OPTION CC PIPE  
INV. IN = 49.194 INV. OUT 49.173
  - ④⑥ 3+280.258 LT ~ 3+285.753 LT  
NEW 450 mm X 5.501m OPTION AA PIPE  
INV. IN = 49.650 INV. OUT 49.623
  - ④⑦ 3+286.943 LT ~ 3+290.172 LT  
NEW 1050 mm X 6.252 m OPTION DD PIPE  
INV. IN = 49.023 INV. OUT 48.962
- EXISTING DRAINAGE
- EXIST6 3+263.000 RT ~ 3+273.000 RT  
EXISTING PIPE - RETAIN
  - EXIST7 3+300.000 RT ~ 3+373.000 RT  
EXISTING PIPE AND DI - RETAIN



DATUM	
VERTICAL	NAVD 88
HORIZONTAL	NAD 83/96

PROJECT NAME:	Colchester
PROJECT NUMBER:	STP 5600(9)S
FILE NAME:	r97d206DRN5.dgn
PROJECT LEADER:	D Bryant
DESIGNED BY:	D Bryant
DRAINAGE PLAN SHEET	5 OF 8
PLOT DATE:	21-FEB-2013
DRAWN BY:	T Kelley
CHECKED BY:	D Burhans
SHEET	37 OF 74