

NEW UNDERDRAIN

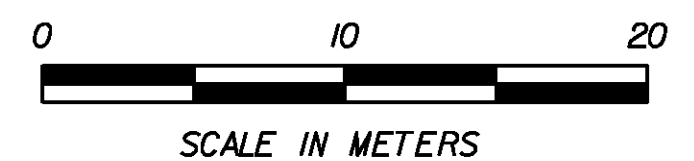
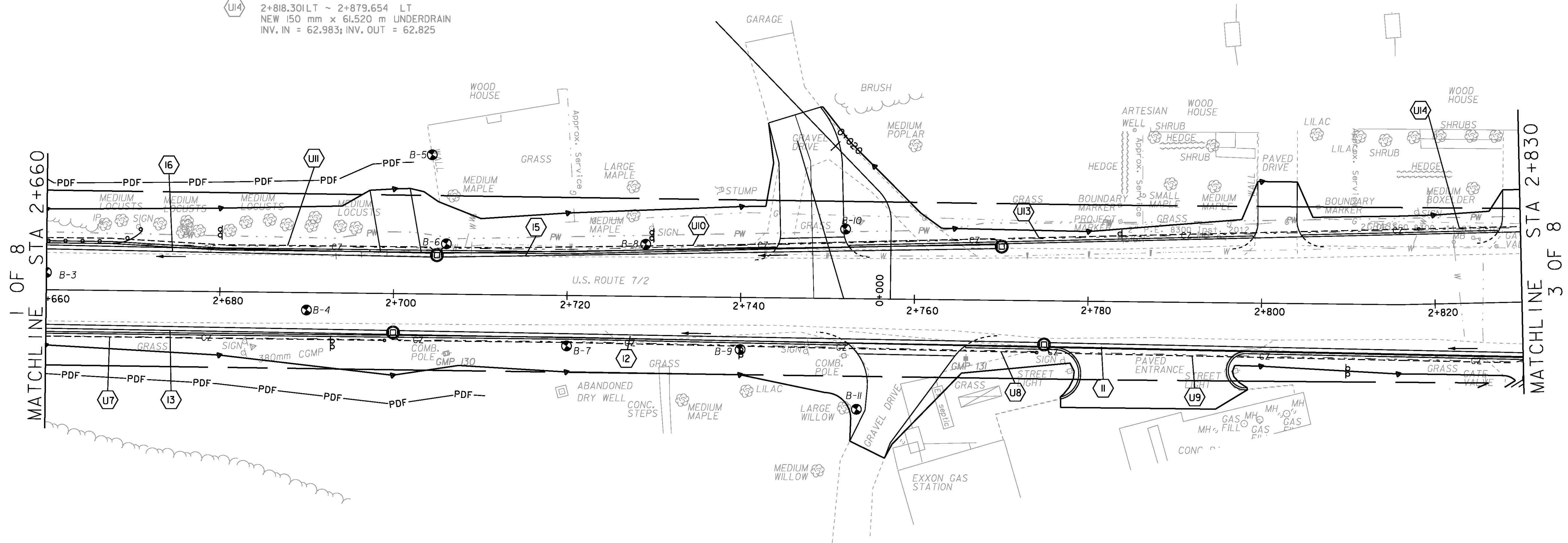
- U8 2+700.287 RT ~ 2+774.157 RT
NEW 150 mm x 74.039 m UNDERDRAIN
W/ CARRIER PIPE & F.B. @ 2+774.157 RT
INV. IN = 61.546; INV. OUT = 58.697
- U9 2+775.287 RT ~ 2+830.383 RT
NEW 150 mm x 55.555 m UNDERDRAIN
W/ CARRIER PIPE & FLUSHING ACCESS
INV. IN = 63.302; INV. OUT = 62.400
- U10 2+705.793 LT ~ 2+769.676 LT
NEW 150 mm x 64.705 m UNDERDRAIN
W/ CARRIER PIPE & FLUSHING ACCESS
INV. IN = 61.685; INV. OUT = 58.312
- U13 2+770.285 LT ~ 2+818.301 LT
NEW 150 mm x 47.914 m UNDERDRAIN
W/ CARRIER PIPE & F.B. @ 2+818.301 LT
INV. IN = 62.274; INV. OUT = 61.985
- U14 2+818.301 LT ~ 2+879.654 LT
NEW 150 mm x 61.520 m UNDERDRAIN
INV. IN = 62.983; INV. OUT = 62.825

NEW DRAINAGE

- 11 2+775.511 RT ~ 2+830.228 RT
NEW 450 mm x 54.910 m OPTION AA PIPE
INV. IN = 62.627; INV. OUT = 62.175
- 12 2+700.512 RT ~ 2+774.489 RT
NEW 450 mm x 73.979 m OPTION AA PIPE
INV. IN = 62.100; INV. OUT = 58.472
- 15 2+705.477 LT ~ 2+769.489 LT
NEW 450 mm x 64.039 m OPTION AA PIPE
INV. IN = 61.385; INV. OUT = 57.712

NOTES

- 1) SEE CONSTRUCTION FOR ADDITIONAL PROPOSED FACILITIES.
- 2) SEE UTILITY PLANS FOR LOCATIONS OF PROPOSED UTILITY RELOCATIONS.



PROJECT NAME: COLCHESTER	PLOT DATE: 21-FEB-2013
PROJECT NUMBER: STP 5600(9)S	DRAWN BY: T. KELLEY
FILE NAME: r97d206DRN2.dgn	CHECKED BY: D. BURHANS
DESIGNED BY: D. BRYANT	SHEET 34 OF 74
DRAINAGE PLAN SHEET 2 OF 8	