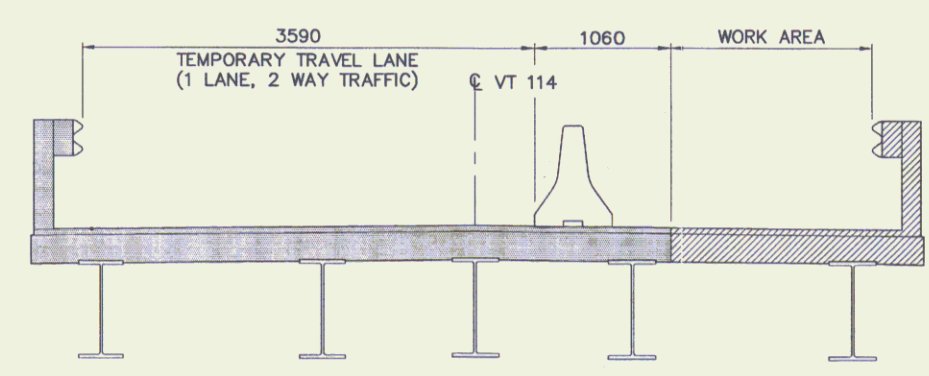
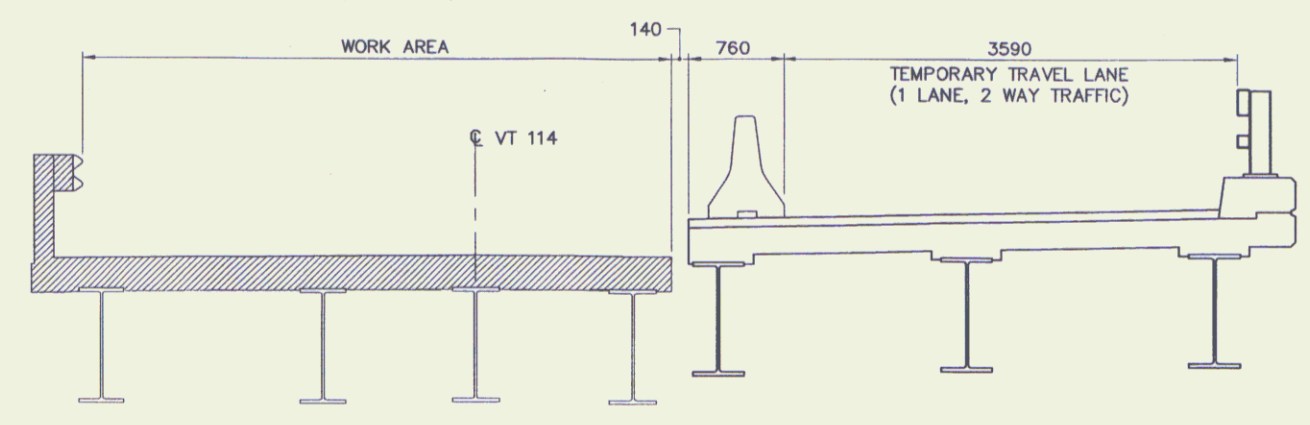


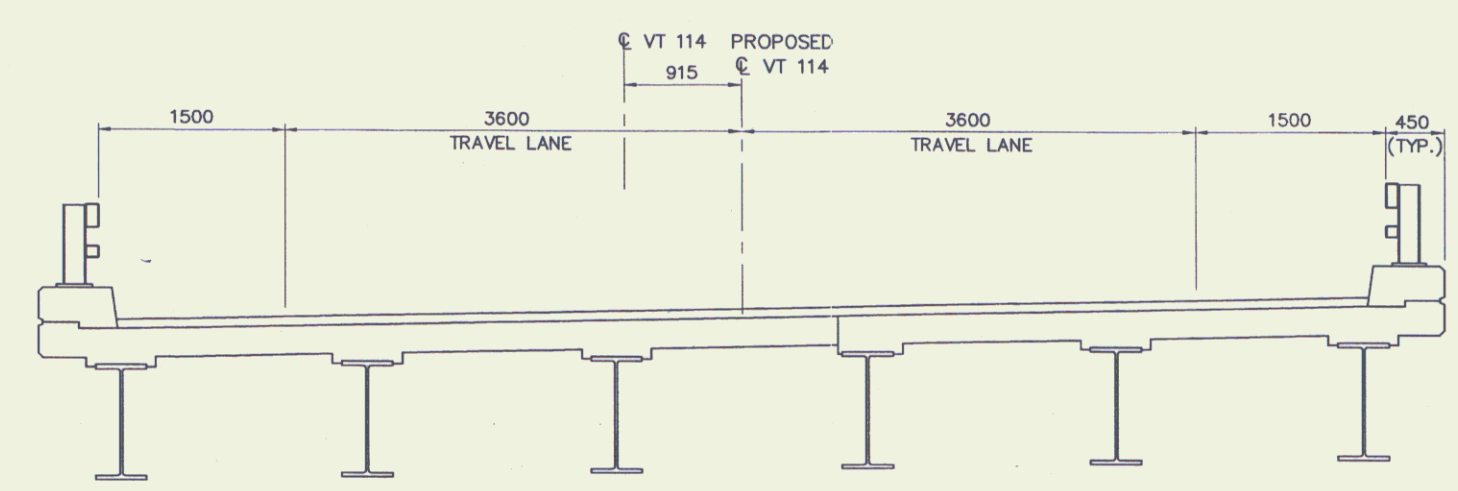
EXISTING TYPICAL SECTION



PHASE I



PHASE II



PROPOSED TYPICAL SECTION

NOT TO SCALE

LEGEND:

- EXISTING BRIDGE
- REMOVAL AREA

NOTE
1. SEE SHEET 8 FOR TRAFFIC CONTROL PLAN.

STATE OF VERMONT AGENCY OF TRANSPORTATION			
Town Of	LYNDON	Bridge No.	2
Highway No.	VT 114	Log Sta.	
		Surv. Sta.	
VT 114 OVER PASSUMPSIC RIVER			
CONSTRUCTION PHASING			
Designed By	S.M. GUNN	Drawn By	R.F. CLARK
Checked By	Date	Bridge Design Supervisor	Date
PROJECT	LYNDON	PROJECT NO.	BHF 0269(10)
I.G.C. Info.	ROW SHEET 6 OF 15 SHEETS		

VANASSE HANGEN BRUSTLIN, INC.