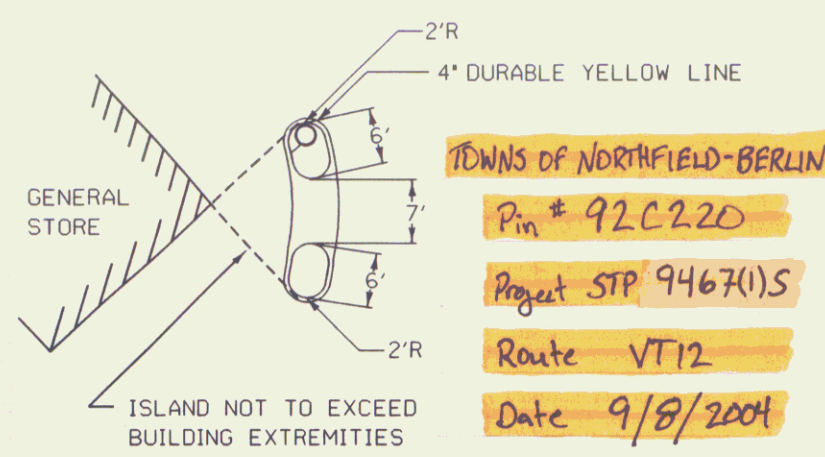
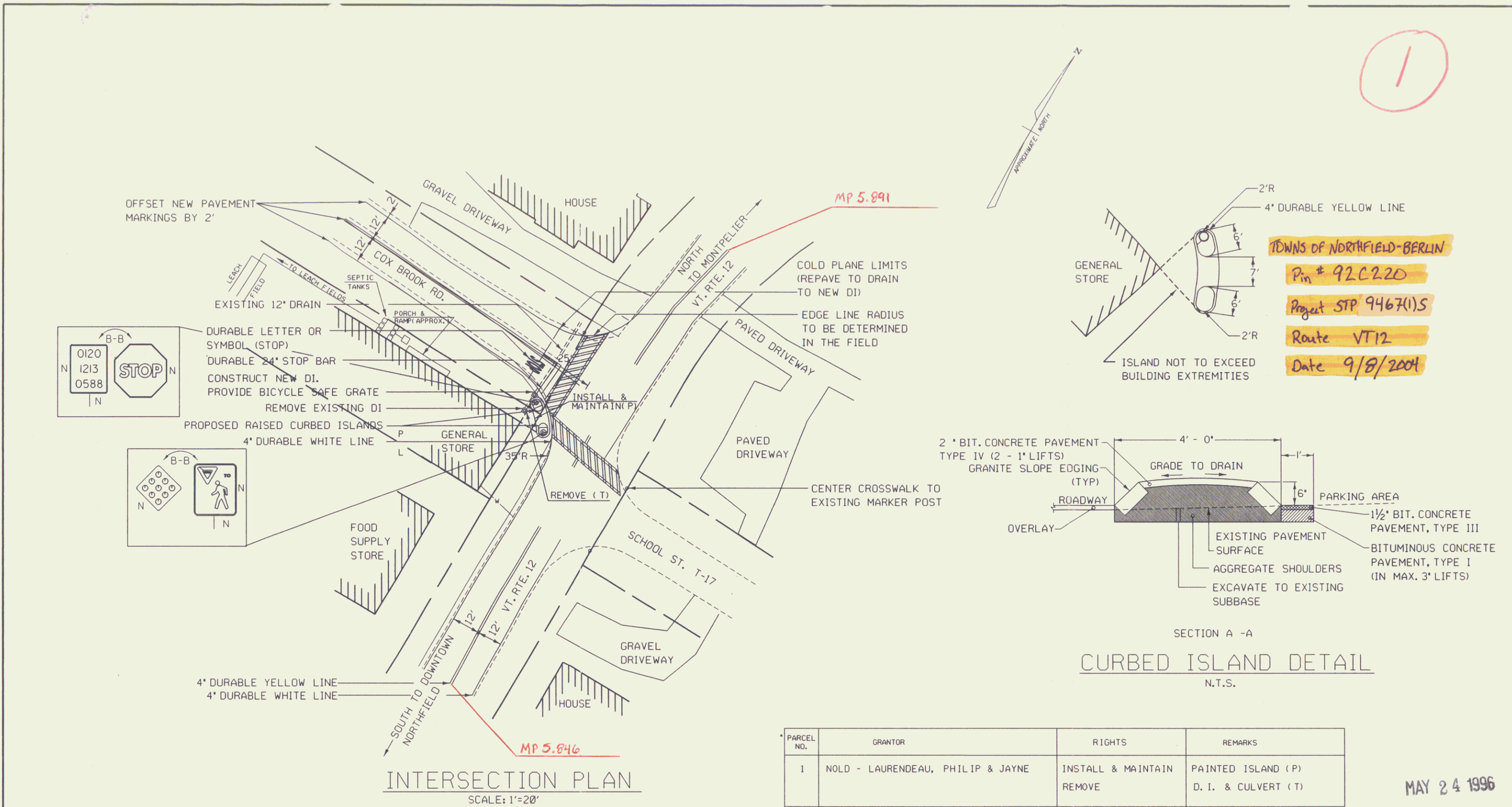
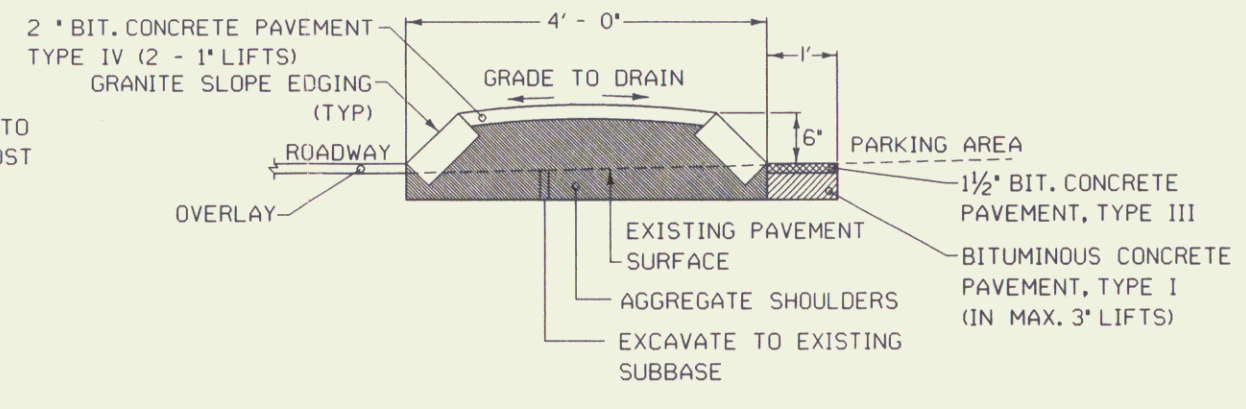


1



TOWNS OF NORTHFIELD-BERLIN
 Pin # 92.C.220
 Project STP 9467(1)S
 Route VT12
 Date 9/8/2004

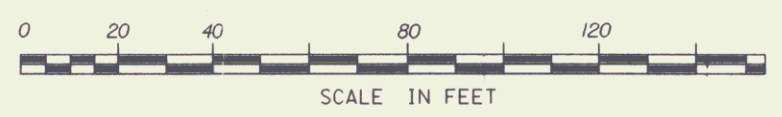


SECTION A - A
 CURBED ISLAND DETAIL
 N.T.S.

INTERSECTION PLAN
 SCALE: 1"=20'

PARCEL NO.	GRANTOR	RIGHTS	REMARKS
1	NOLD - LAURENDEAU, PHILIP & JAYNE	INSTALL & MAINTAIN REMOVE	PAINTED ISLAND (P) D. I. & CULVERT (T)

MAY 24 1996



INTERSECTION DETAILS

SIGN006 201 MISC F. J. M.

SURVEYED BY _____ DATE _____
 DRAWN BY JHK DATE 3/96
 SQUAD LEADER _____ DATE _____
 DESIGN FILE NO. /prop/misc/northfld.dgn
 PARM FILE NORTHFLD.I

NORTHFIELD-BERLIN
 STP SIGN 9467
 R. O. W. SHEET 1 OF 1 SHEET

1 Plat