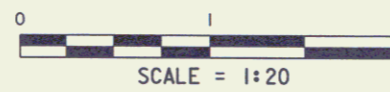
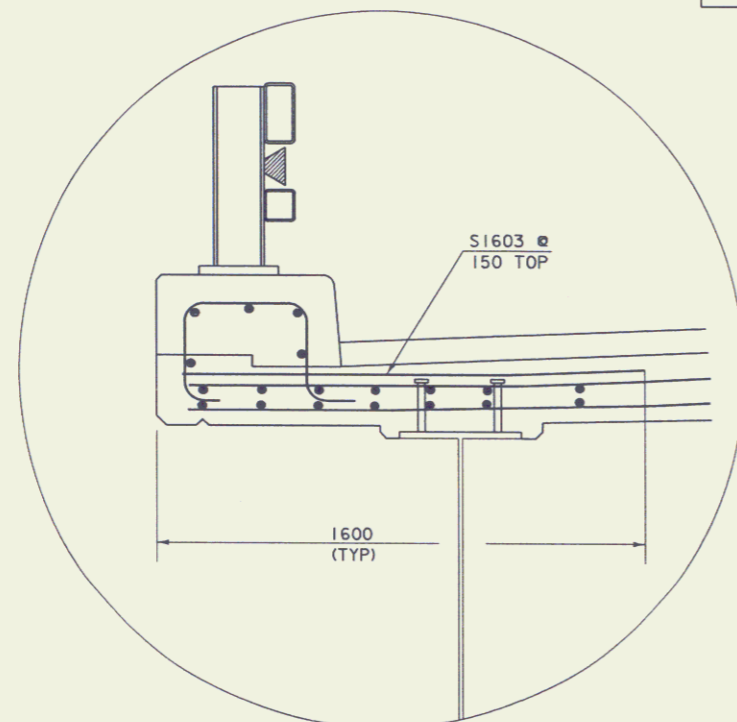


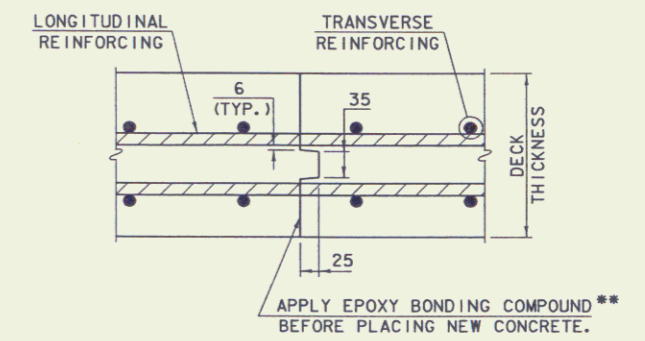
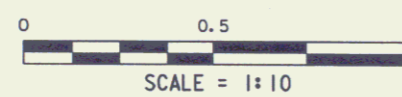
BRIDGE TYPICAL SECTION



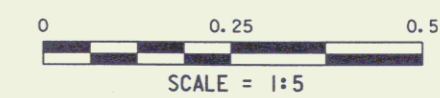
\* TOP LIFT 40 TYPE III OR TYPE IV OVER 40, TYPE III OR TYPE IV



DETAIL "A"



TRANSVERSE BRIDGE DECK CONSTRUCTION JOINT DETAILS



\*\* PAYMENT SHALL BE MADE INCIDENTAL TO ITEM 501.33, "CONCRETE, HIGH PERFORMANCE CLASS A".

TACK COAT: EMULSIFIED ASPHALT IS TO BE APPLIED AT THE RATE OF 0.07 L/m<sup>2</sup> BETWEEN SUCCESSIVE COURSES OF PAVEMENT AS DIRECTED BY THE ENGINEER.

**NOTE:**

NF = NEAR FACE  
 FF = FAR FACE  
 EF = EACH FACE  
 A = CUT TO FIT IN FIELD  
 75 CLR. UNLESS OTHERWISE SPECIFIED ON THE PLANS.

**BRIDGE DECK DETAILS**

PROJECT NAME: MIDDLESEX	PLOT DATE: 07-SEP-2005
PROJECT NUMBER: BRF 0241 (32)	DRAWN BY: HUSK
FILE NAME: 90a003/str/sa003sup.dgn	CHECKED BY: SCRIBNER
PROJECT LEADER: Evans-Mongean	ROW SHEET: 14 OF 17
DESIGNED BY: SCRIBNER	
IParm sa003typ.l	