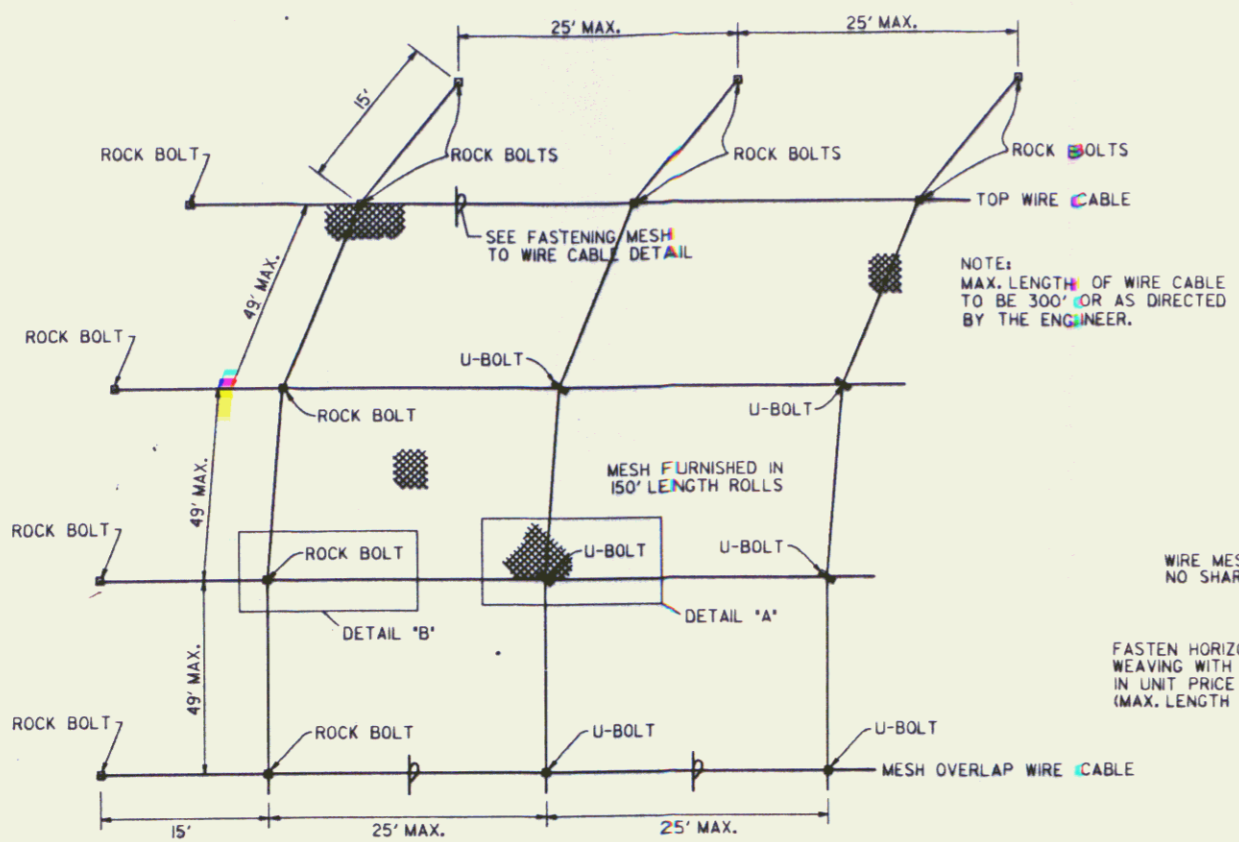
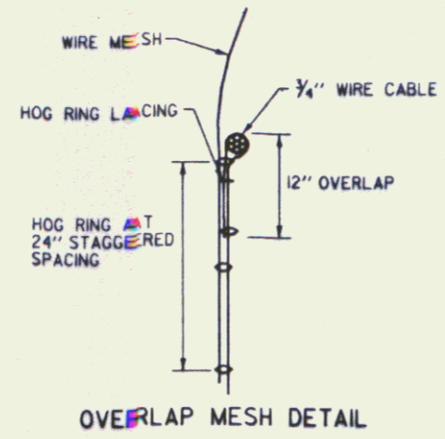


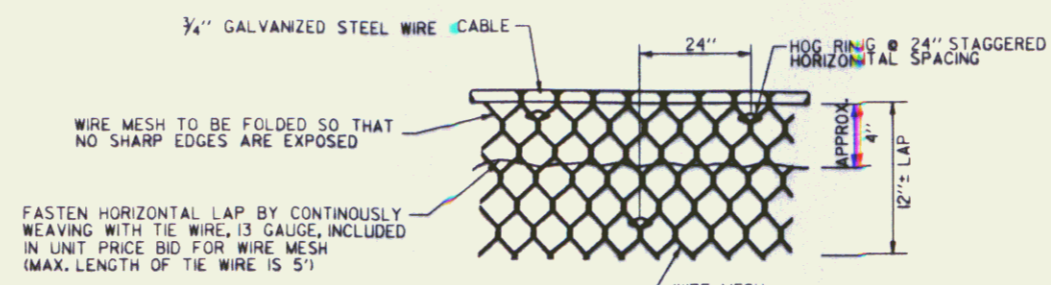
WIRE MESH AND ROCK BOLT DETAILS



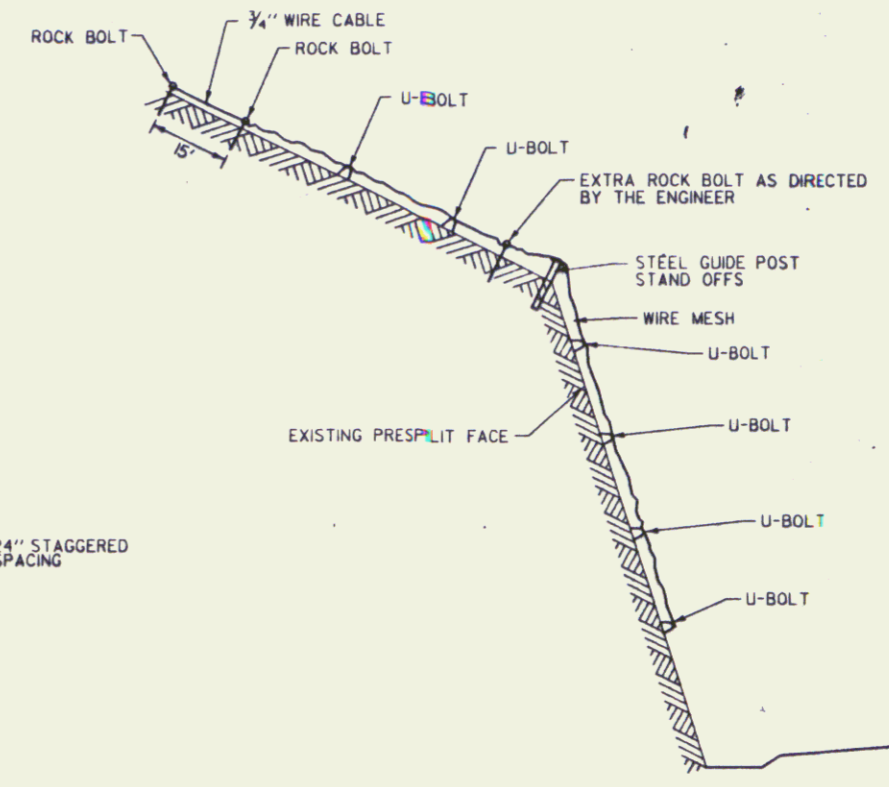
WIRE MESH DETAIL



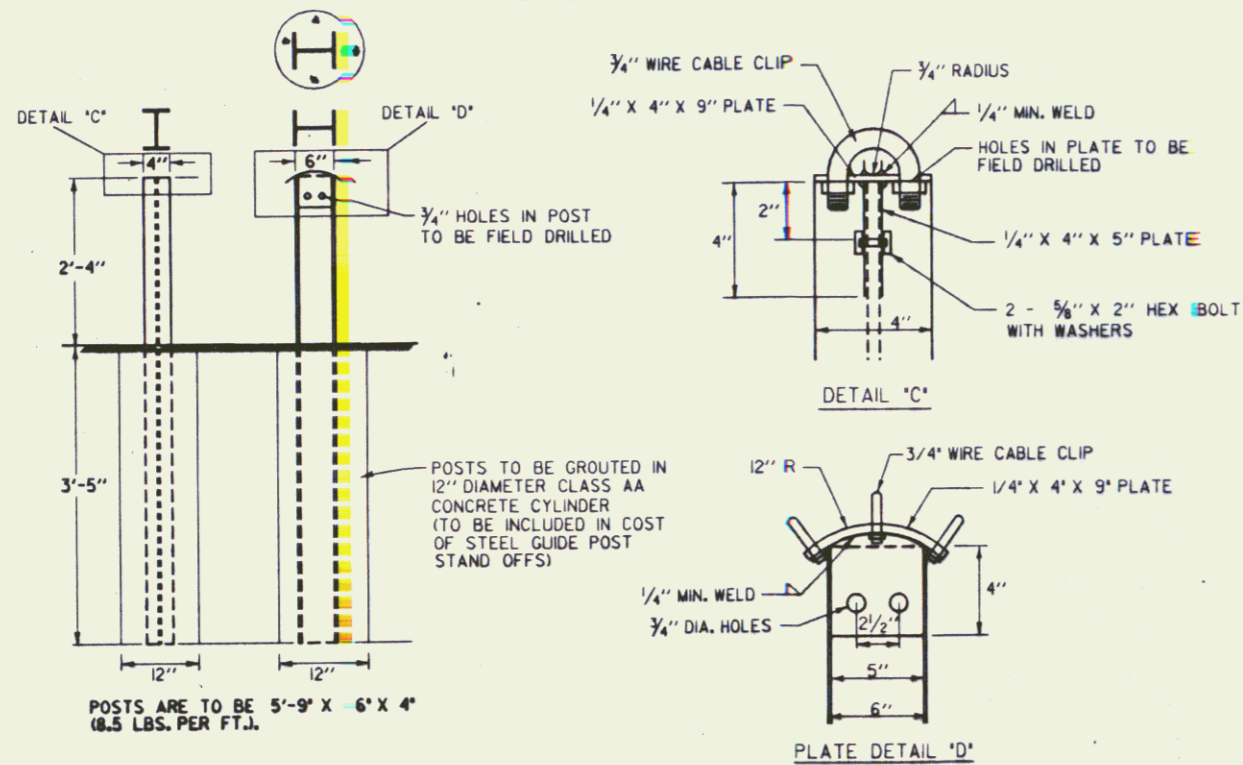
OVERLAP MESH DETAIL



FASTENING WIRE MESH TO TOP AND BOTTOM WIRE CABLES

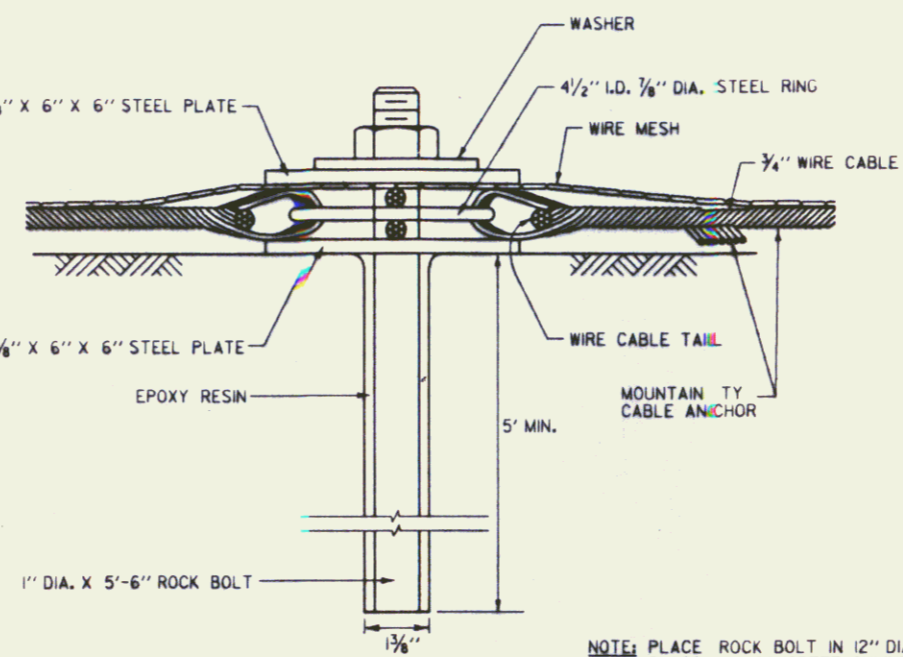


METHOD OF INSTALLING WIRE MESH



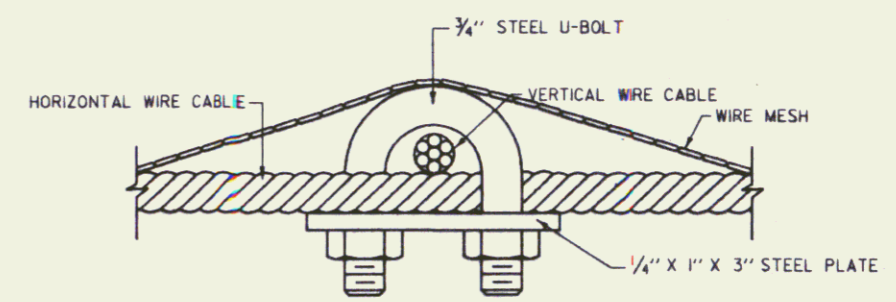
STEEL GUIDE POST STAND OFFS

NOTE: ALL PARTS TO BE GALVANIZED.



DETAIL 'B'
(IN ROCK AREA)

NOTE: PLACE ROCK BOLT IN 12" DIAMETER CLASS AA CONCRETE CYLINDER WHEN IN DIRT AREA



DETAIL 'A'

NOT TO SCALE

SURVEYED BY	BULLOCK	DATE	02-91
DRAWN BY	PERKINS	DATE	02-91
SQUAD LEADER	PERKINS	DATE	02-91
DESIGN FILE NO.	ZG0150,63189A006.DGN		
PRF FILE	89A006D1LPRF	DATE PLOTTED	22-AUG-1991
THE FORD-FAIRLEE			
1R 091-2(7)			
R.O.W. SHEET 3 OF 12 SHEETS			

FEB 07 1997