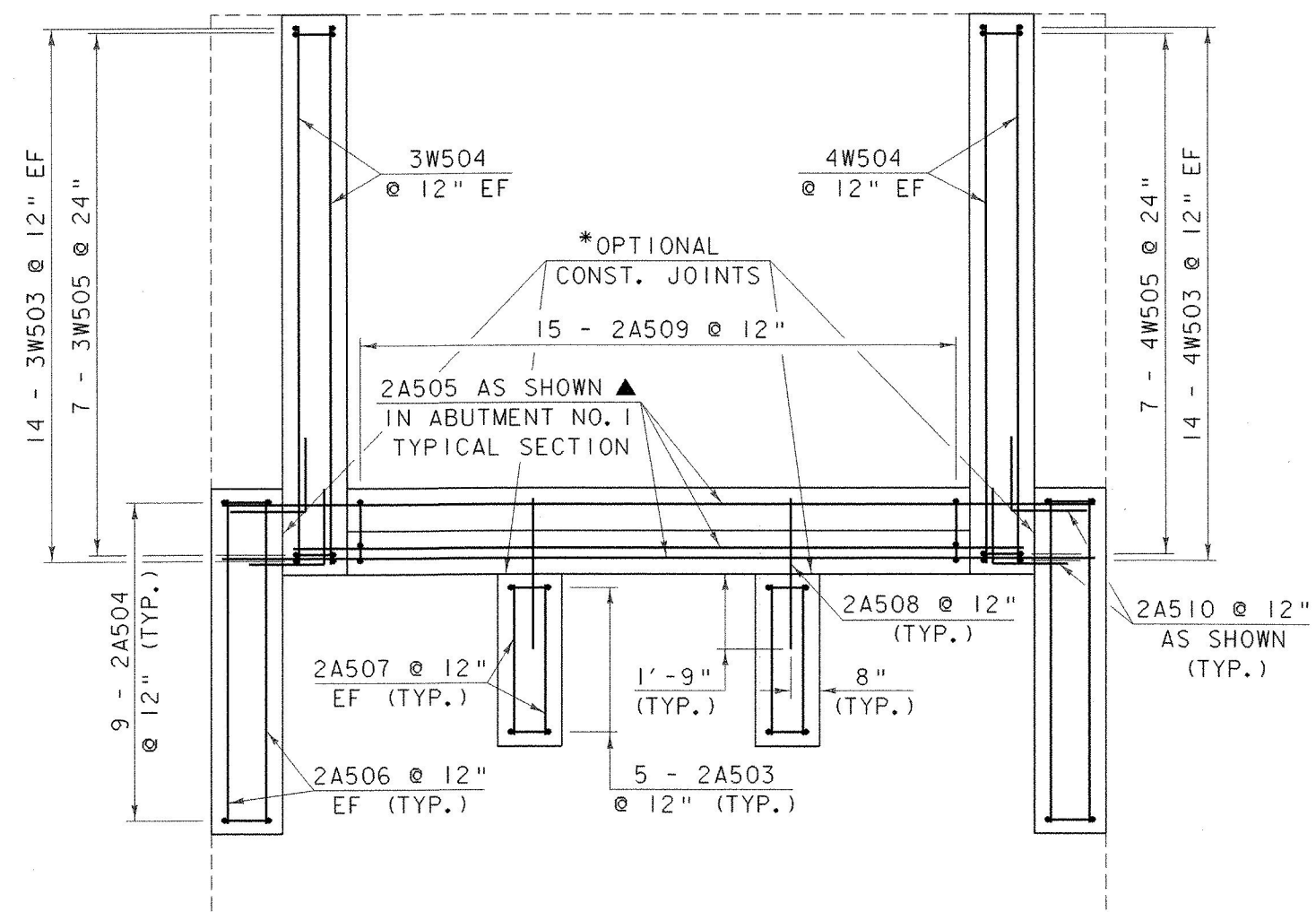


**ABUTMENT NO. 1 STEM
REINFORCING PLAN**

SCALE: 3/8" = 1'-0"



**ABUTMENT NO. 2 STEM
REINFORCING PLAN**

SCALE: 3/8" = 1'-0"

* THE CONSTRUCTION JOINT KEY MAY BE ELIMINATED FOR THESE VERTICAL CONSTRUCTION JOINTS ONLY.

NOTE:

NF = NEAR FACE
 FF = FAR FACE
 EF = EACH FACE
 ▲ = CUT TO FIT IN FIELD
 3" CLR. UNLESS OTHERWISE SPECIFIED ON THE PLANS.

STEM REINFORCING DETAILS

PROJECT NAME:	BRANDON	PLOT DATE:	16-MAY-2002
PROJECT NUMBER:	BHZ 1443 (22)	DRAWN BY:	G. ROY
FILE NAME:	87j137\Structures\sj137srd.i	CHECKED BY:	T. SUMNER
PROJECT MANAGER:	R. R. WHITCOMB	SHEET	31 OF 51
DESIGNED BY:	T. SUMNER		